

Mullard

DOUBLE DIODE

2D13A

Heater

$V_f = 13.0 \text{ V}$
 $I_f = 0.2 \text{ A}$

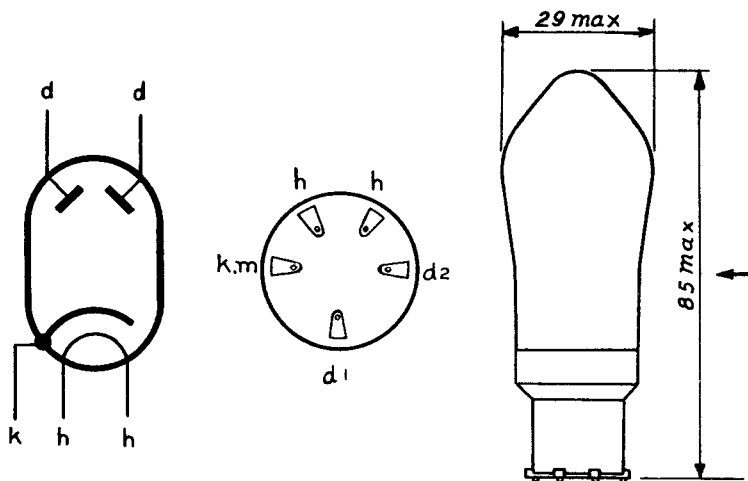
Heating Time = 20 secs

Operating Conditions

$V_d \text{ max}$	200	V
$I_d \text{ max}$	0.8	mA
$V_{fk} \text{ max}$	125	V
$R_{fk} \text{ max}$	20,000	ohms

For characteristic curve see valve type 2D13C.
 Except for the base, the 2D13A and 2D13C are identical.

Arrangement of electrodes and base connections.



2D13A