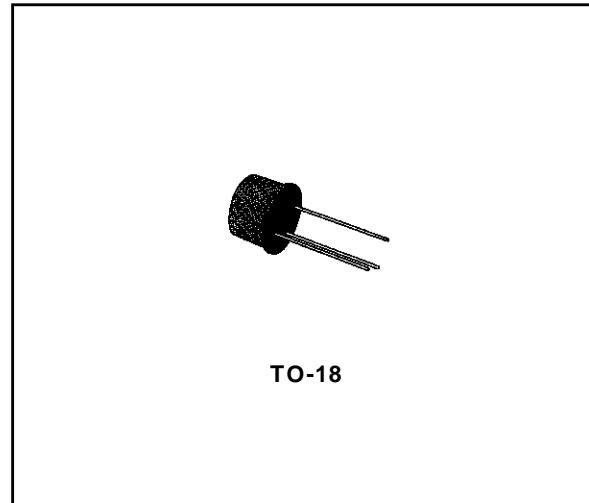


## HIGH VOLTAGE AMPLIFIER

### DESCRIPTION

The BC393 is a silicon planar epitaxial PNP transistor in Jedec TO-18 metal case, designed for general purpose high-voltage and video amplifier applications.

The complementary NPN type is the BC394.



### INTERNAL SCHEMATIC DIAGRAM



### ABSOLUTE MAXIMUM RATINGS

Symbol	Parameter	Value	Unit
$V_{CBO}$	Collector-base Voltage ( $I_E = 0$ )	- 180	V
$V_{CEO}$	Collector-emitter Voltage ( $I_B = 0$ )	- 180	V
$V_{EBO}$	Emitter-base Voltage ( $I_C = 0$ )	- 6	V
$I_C$	Collector Current	- 100	mA
$P_{tot}$	Total Power Dissipation at $T_{amb} \leq 25\text{ }^\circ\text{C}$ at $T_{case} \leq 25\text{ }^\circ\text{C}$	0.4	W
		1.4	W
$T_{stg}$	Storage Temperature	- 55 to 200	$^\circ\text{C}$
$T_j$	Junction Temperature	200	$^\circ\text{C}$

# BC393

## THERMAL DATA

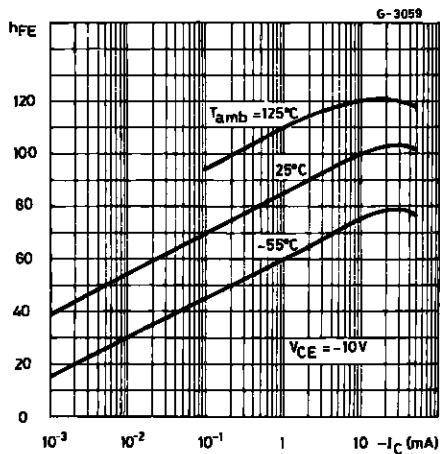
$R_{th\ j-case}$	Thermal Resistance Junction-case	Max	125	°C/W
$R_{th\ j-amb}$	Thermal Resistance Junction-ambient	Max	440	°C/W

## ELECTRICAL CHARACTERISTICS ( $T_{amb} = 25\text{ °C}$ unless otherwise specified)

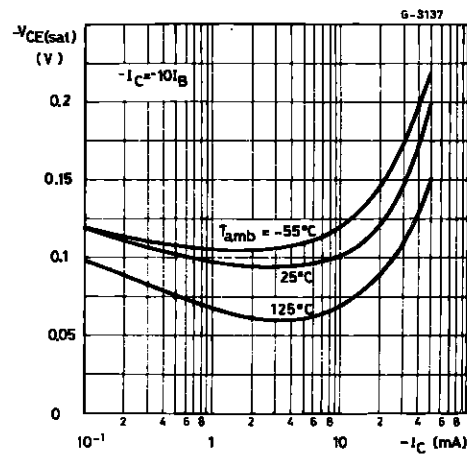
Symbol	Parameter	Test Conditions	Min.	Typ.	Max.	Unit
$I_{CBO}$	Collector Cutoff Current ( $I_E = 0$ )	$V_{CB} = -100\text{ V}$ $V_{CB} = -100\text{ V } T_{amb} = 150\text{ °C}$			50 50	nA $\mu\text{A}$
$V_{(BR)\ CBO}$	Collector-base Breakdown Voltage ( $I_E = 0$ )	$I_C = -10\ \mu\text{A}$	-180			V
$V_{(BR)\ CEO}^*$	Collector-emitter Breakdown Voltage ( $I_B = 0$ )	$I_C = -2\text{ mA}$	-180			V
$V_{(BR)\ EBO}$	Emitter-base Breakdown Voltage ( $I_C = 0$ )	$I_E = -10\ \mu\text{A}$	-6			V
$V_{CE(sat)}^*$	Collector-emitter Saturation Voltage	$I_C = -10\text{ mA } I_B = -1\text{ mA}$ $I_C = -50\text{ mA } I_B = -5\text{ mA}$		-100 -230	-300	mV mV
$V_{BE(sat)}^*$	Base-emitter Saturation Voltage	$I_C = -10\text{ mA } I_B = -1\text{ mA}$ $I_C = -50\text{ mA } I_B = -5\text{ mA}$		-750 -850	-900	mV mV
$h_{FE}^*$	DC Current Gain	$I_C = -1\text{ mA } V_{CE} = -10\text{ V}$ $I_C = -10\text{ mA } V_{CE} = -10\text{ V}$	50	85 100		
$f_T$	Transition frequency	$I_C = -10\text{ mA } V_{CE} = -10\text{ V}$	50	95		MHz
$C_{CBO}$	Collector-base Capacitance	$I_E = 0$ $f = 1\text{ MHz}$		4	7	pF

\* Pulsed : pulse duration = 300  $\mu\text{s}$ , duty cycle = 1 %.

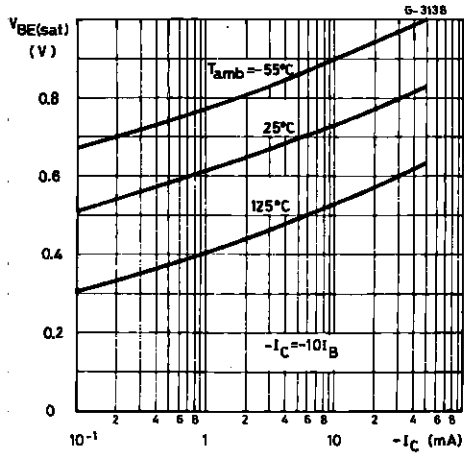
### DC Current Gain.



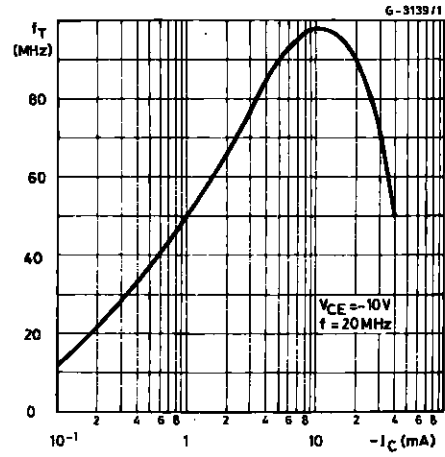
### Collector-emitter Saturation Voltage.



Base-emitter Saturation Voltage.

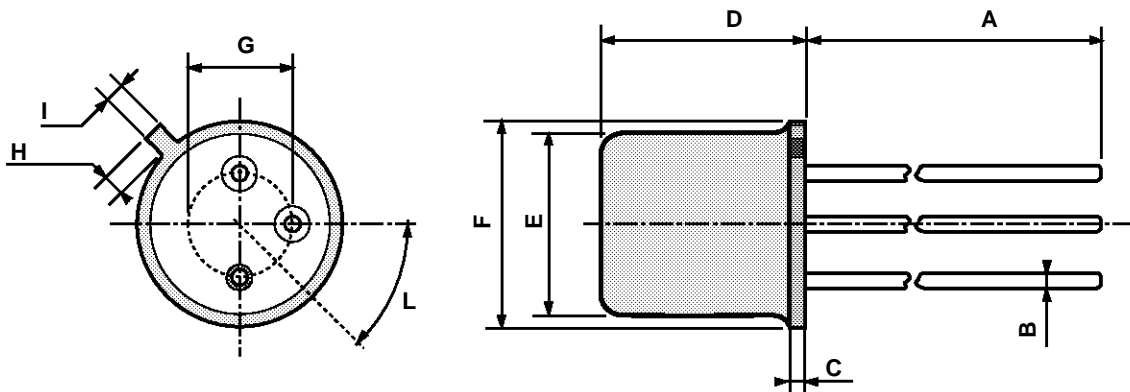


Transition Frequency.



TO-18 MECHANICAL DATA

DIM.	mm			inch		
	MIN.	TYP.	MAX.	MIN.	TYP.	MAX.
A		12.7			0.500	
B			0.49			0.019
D			5.3			0.208
E			4.9			0.193
F			5.8			0.228
G	2.54			0.100		
H			1.2			0.047
I			1.16			0.045
L	45°			45°		



0016043

Information furnished is believed to be accurate and reliable. However, SGS-THOMSON Microelectronics assumes no responsibility for the consequences of use of such information nor for any infringement of patents or other rights of third parties which may result from its use. No license is granted by implication or otherwise under any patent or patent rights of SGS-THOMSON Microelectronics. Specifications mentioned in this publication are subject to change without notice. This publication supersedes and replaces all information previously supplied. SGS-THOMSON Microelectronics products are not authorized for use as critical components in life support devices or systems without express written approval of SGS-THOMSON Microelectronics.

© 1994 SGS-THOMSON Microelectronics - All Rights Reserved

SGS-THOMSON Microelectronics GROUP OF COMPANIES

Australia - Brazil - France - Germany - Hong Kong - Italy - Japan - Korea - Malaysia - Malta - Morocco - The Netherlands -  
Singapore - Spain - Sweden - Switzerland - Taiwan - Thailand - United Kingdom - U.S.A