

Transistors

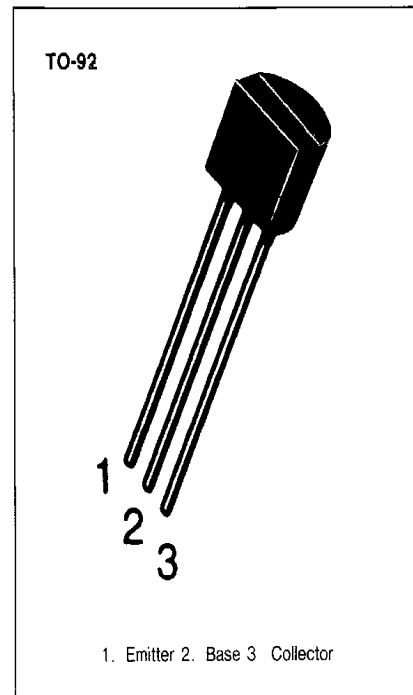
2SD261

LOW FREQUENCY POWER AMPLIFIER

- Complement to KSA643
- Collector Dissipation $P_C=500\text{mW}$

ABSOLUTE MAXIMUM RATINGS ($T_a=25^\circ\text{C}$)

Characteristic	Symbol	Rating	Unit
Collector-Base Voltage	V_{CB0}	40	V
Collector-Emitter Voltage	V_{CE0}	20	V
Emitter-Base Voltage	V_{EB0}	5	V
Collector Current	I_C	500	mA
Collector Dissipation	P_C	500	mW
Junction Temperature	T_j	150	$^\circ\text{C}$
Storage Temperature	T_{stg}	-55 ~ 150	$^\circ\text{C}$



ELECTRICAL CHARACTERISTICS ($T_a=25^\circ\text{C}$)

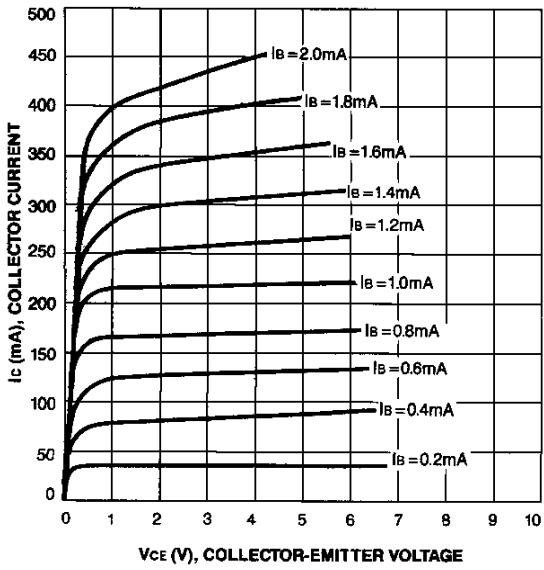
Characteristic	Symbol	Test Conditions	Min	Typ	Max	Unit
Collector-Base Breakdown Voltage	BV_{CB0}	$I_C=100\mu\text{A}, I_E=0$	40			V
Collector-Emitter Breakdown Voltage	BV_{CE0}	$I_C=10\text{mA}, I_B=0$	20			V
Emitter-Base Breakdown Voltage	BV_{EB0}	$I_E=100\mu\text{A}, I_C=0$	5			V
Collector Cut-off Current	I_{CB0}	$V_{CB}=25\text{V}, I_E=0$			0.1	μA
Emitter Cut-off Current	I_{EB0}	$V_{EB}=3\text{V}, I_C=0$			0.1	μA
DC Current Gain	h_{FE}	$V_{CE}=1\text{V}, I_C=0.1\text{A}$	40		400	
Collector-Emitter Saturation Voltage	$V_{CE(sat)}$	$I_C=0.5\text{A}, I_B=0.05\text{A}$		0.18	0.4	V

h_{FE} CLASSIFICATION

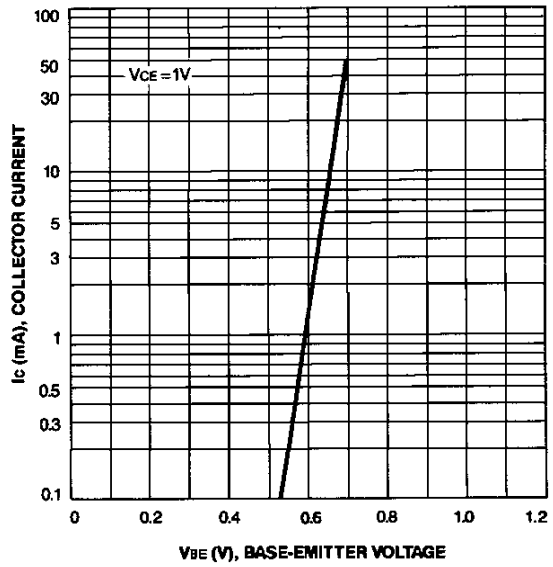
Classification	R	O	Y	G
h_{FE}	40-80	70-140	120-240	200-400



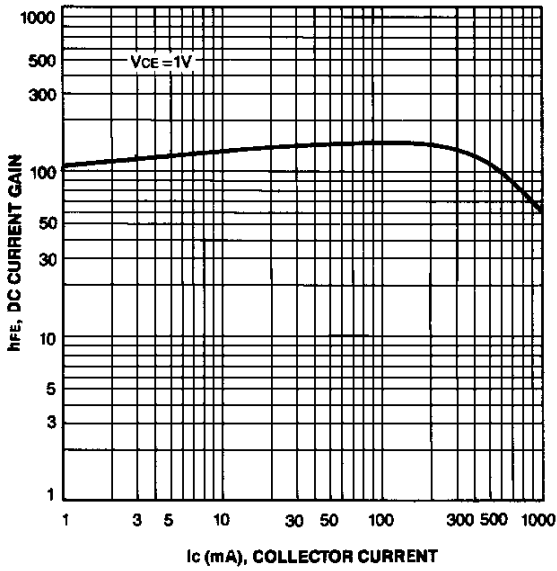
STATIC CHARACTERISTIC



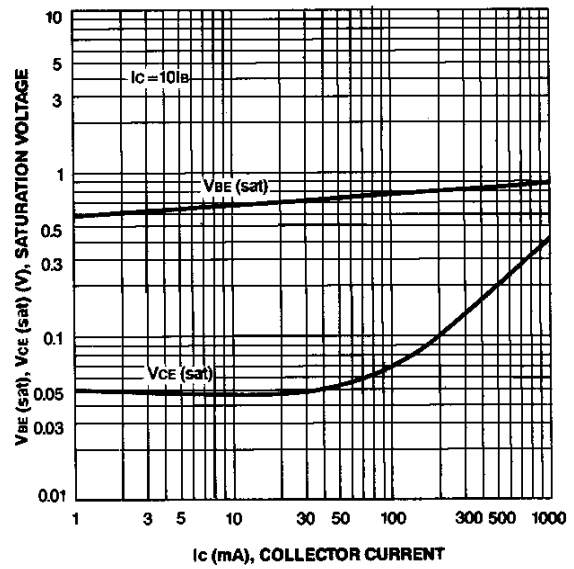
BASE-EMITTER ON VOLTAGE



DC CURRENT GAIN



**BASE-EMITTER SATURATION VOLTAGE
COLLECTOR-EMITTER SATURATION VOLTAGE**



COLLECTOR OUTPUT CAPACITANCE

