

# 2SD1914



2043A

NPN Epitaxial Planar  
Silicon Darlington Transistor

T-33-29

## Driver Applications

©2453

### Applications

- Motor drivers, printer hammer drivers, relay drivers, voltage regulator control

### Features

- Darlington connection
- High DC current gain

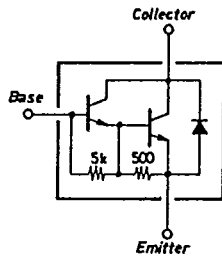
### Absolute Maximum Ratings at Ta=25°C

			unit
Collector to Base Voltage	V <sub>CB0</sub>	100	V
Collector to Emitter Voltage	V <sub>CE0</sub>	80	V
Emitter to Base Voltage	V <sub>EB0</sub>	6	V
Collector Current	I <sub>C</sub>	2	A
Peak Collector Current	i <sub>cp</sub>	4	A
Collector Dissipation	P <sub>C</sub>	1.2	W
		10	W
	T <sub>c</sub> =25°C		
Junction Temperature	T <sub>j</sub>	150	°C
Storage Temperature	T <sub>stg</sub>	-55 to +150	°C

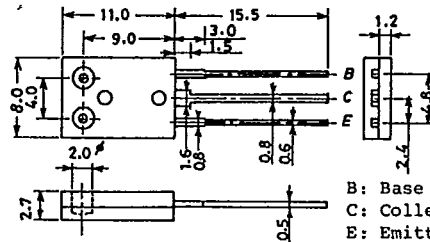
### Electrical Characteristics at Ta=25°C

			min	typ	max	unit
Collector Cutoff Current	I <sub>CB0</sub>	V <sub>CB</sub> =60V, I <sub>E</sub> =0			10	uA
Emitter Cutoff Current	I <sub>EB0</sub>	V <sub>EB</sub> =5V, I <sub>C</sub> =0			2.5	mA
DC Current Gain	h <sub>FE</sub> (1)	V <sub>CE</sub> =3V, I <sub>C</sub> =500mA	1000			
	h <sub>FE</sub> (2)	V <sub>CE</sub> =3V, I <sub>C</sub> =1A	2000	30000		
C-E Saturation Voltage	V <sub>CE(sat)</sub>	I <sub>C</sub> =1A, I <sub>B</sub> =2mA		1.0	1.5	V
B-E Saturation Voltage	V <sub>BE(sat)</sub>	I <sub>C</sub> =1A, I <sub>B</sub> =2mA		1.6	2.0	V
C-B Breakdown Voltage	V <sub>(BR)CBO</sub>	I <sub>C</sub> =100uA, I <sub>E</sub> =0	100			V
C-E Breakdown Voltage	V <sub>(BR)CEO</sub>	I <sub>C</sub> =25mA, R <sub>BE</sub> =∞	80			V

### Electrical Connection



### Case Outline 2043A (unit:mm)



B: Base  
C: Collector  
E: Emitter

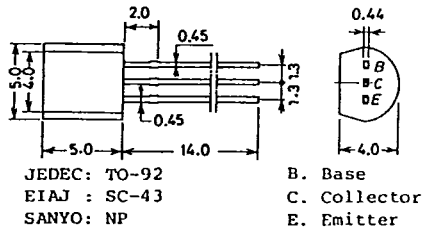
SANYO: T0126LP

T-91-20

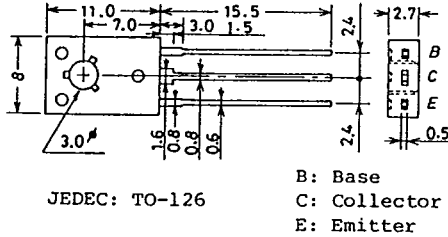
# CASE OUTLINES AND ATTACHMENTS

- All of Sanyo Transistor case outlines are illustrated below.
- All dimensions are in mm, and dimensions which are not followed by min. or max. are represented by typical values.
- No marking is indicated.

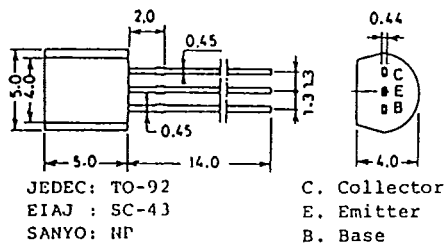
Case Outline-[2003A]  
unit:mm



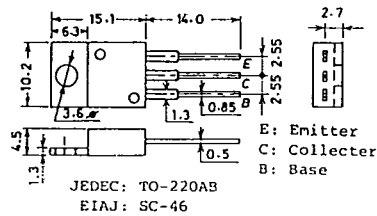
Case Outline-[2009A]  
unit:mm



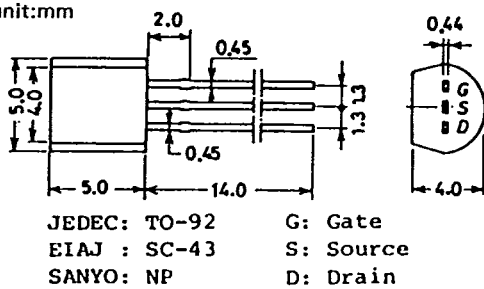
Case Outline-[2004A]  
unit:mm



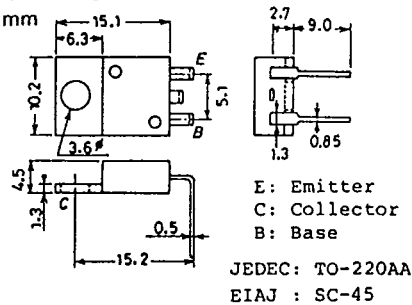
Case Outline-[2010A]  
unit:mm



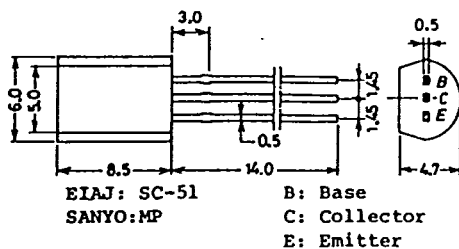
Case Outline-[2005A]  
unit:mm



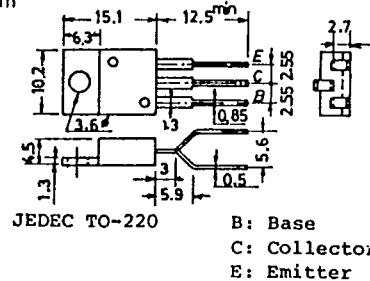
Case Outline-[2012]  
unit:mm

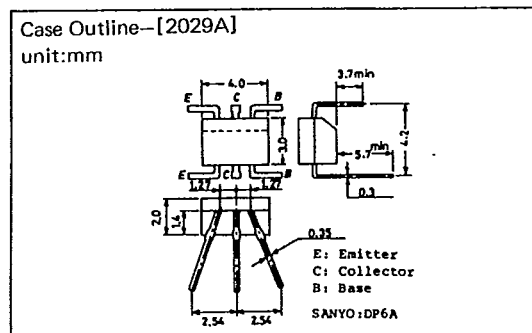
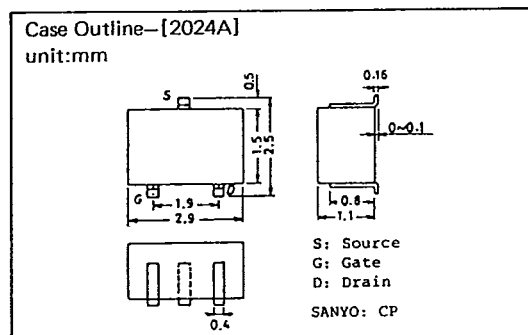
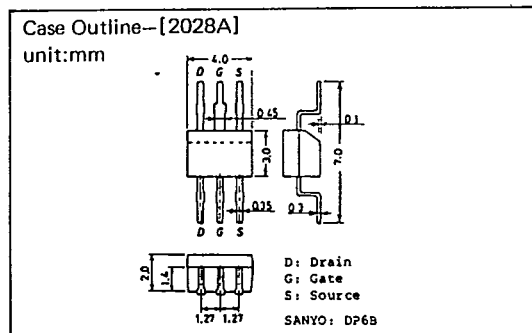
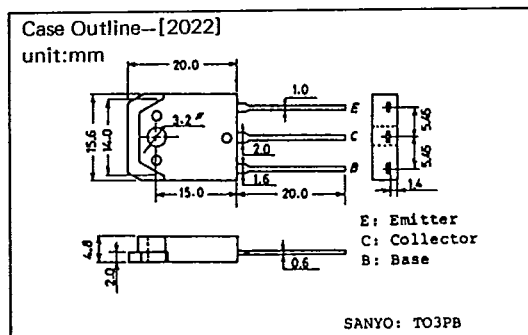
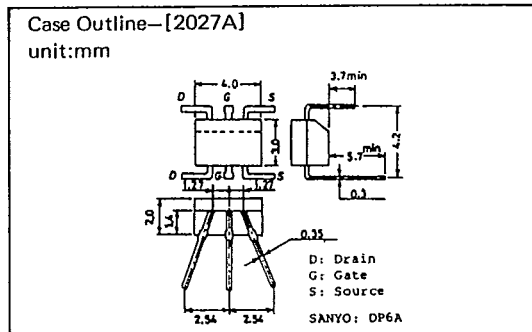
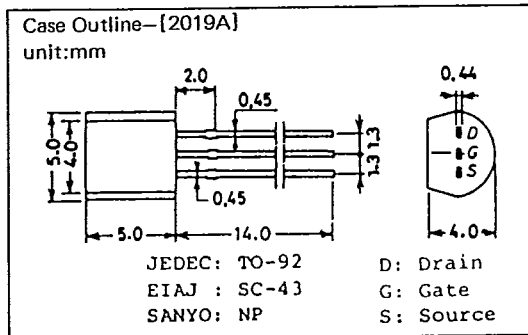
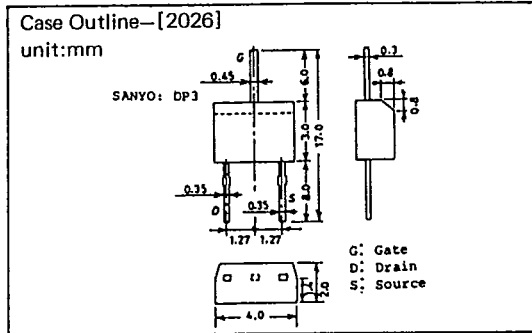
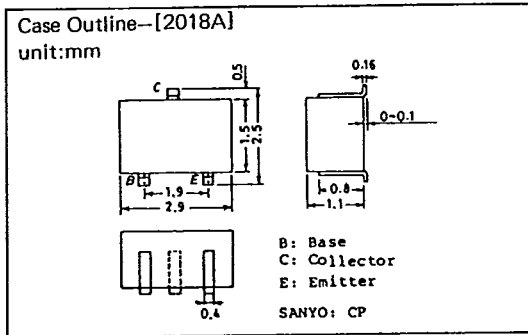
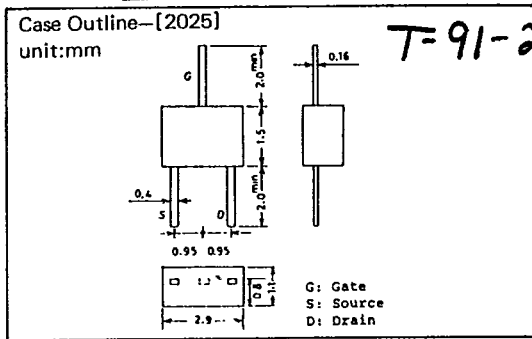
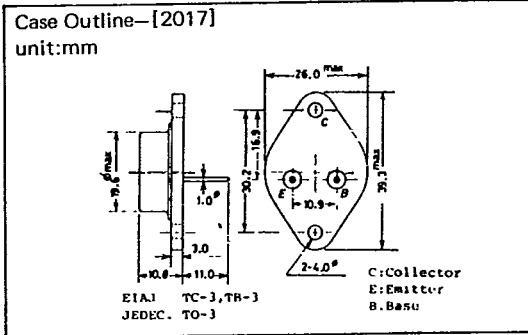


Case Outline-[2006A]  
unit:mm

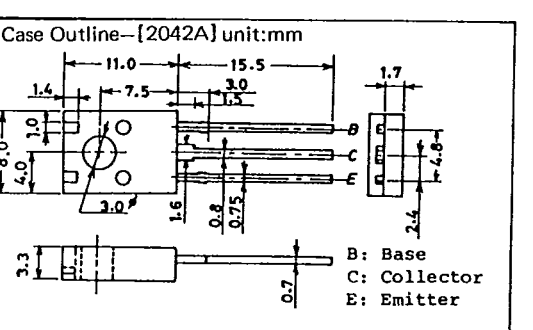
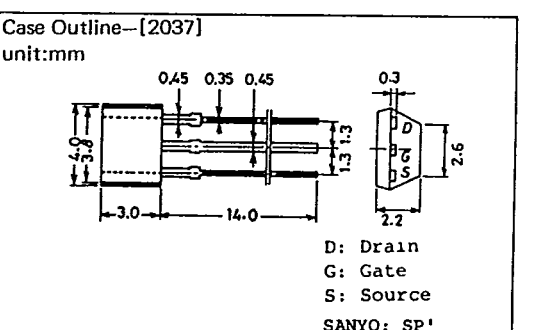
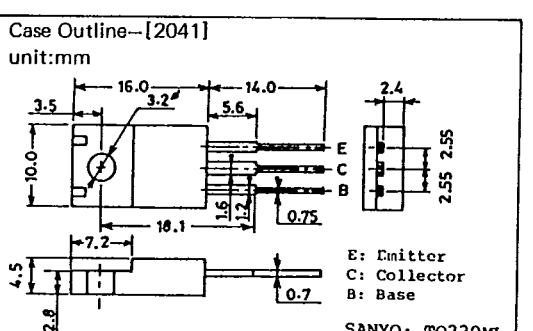
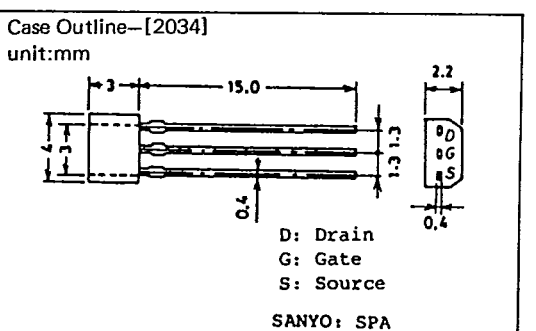
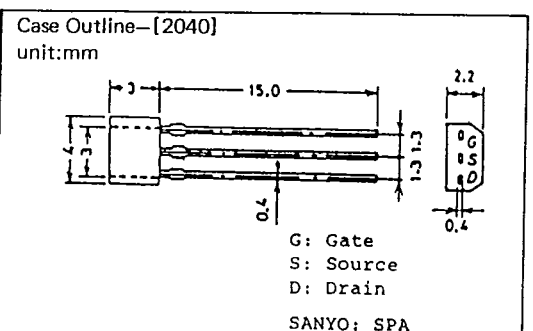
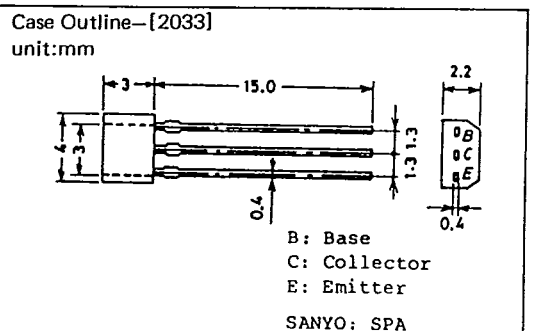
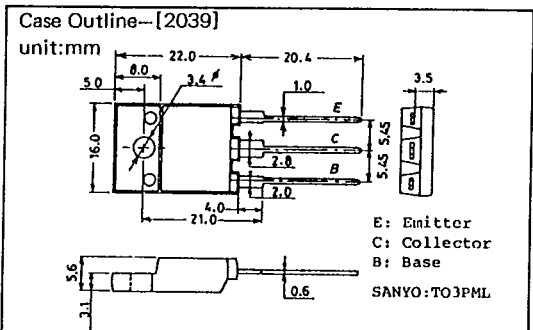
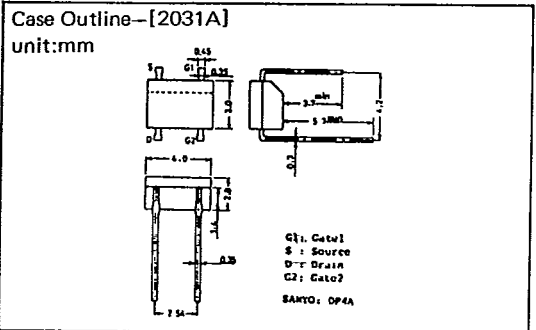
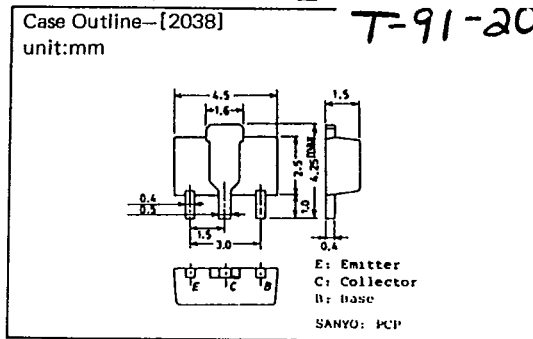
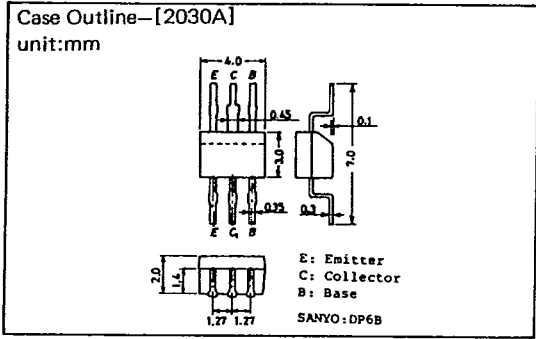


Case Outline-[2013]  
unit:mm

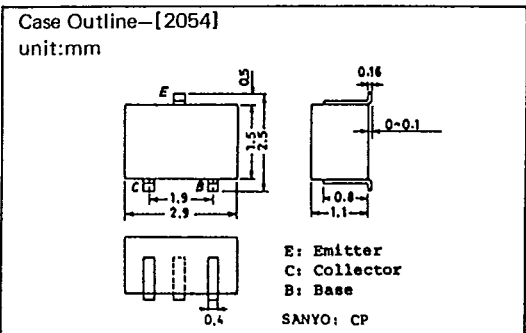
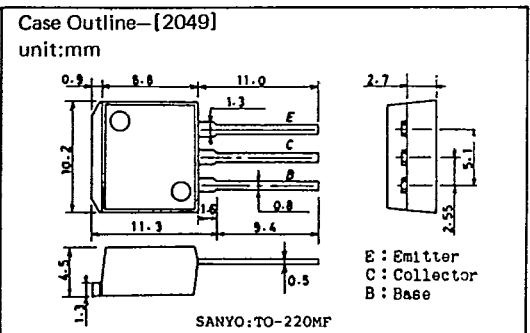
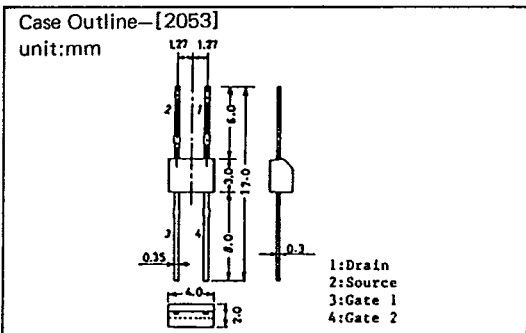
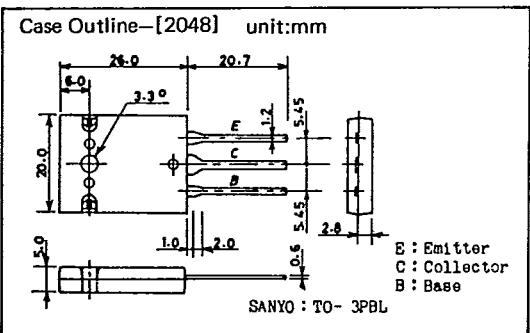
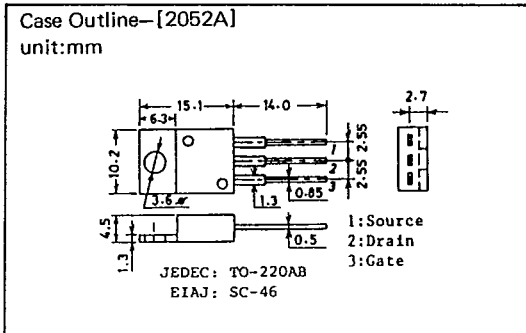
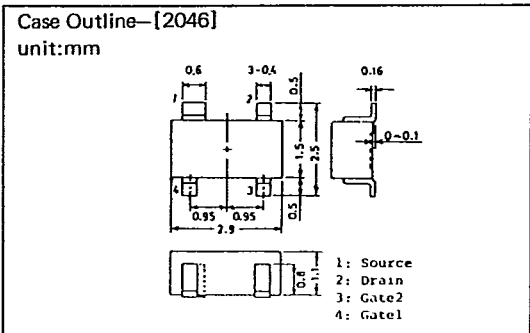
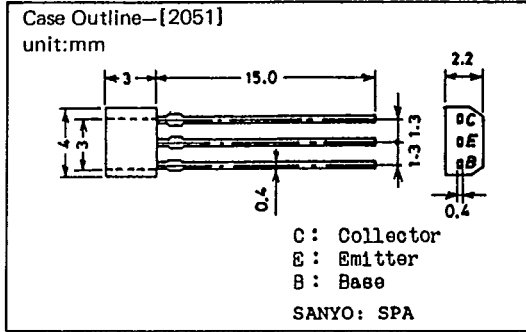
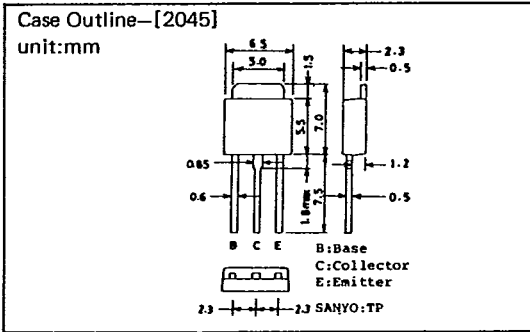
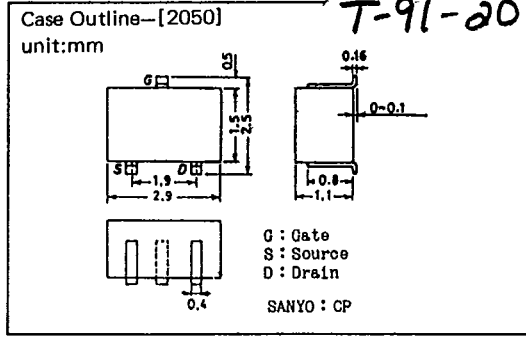
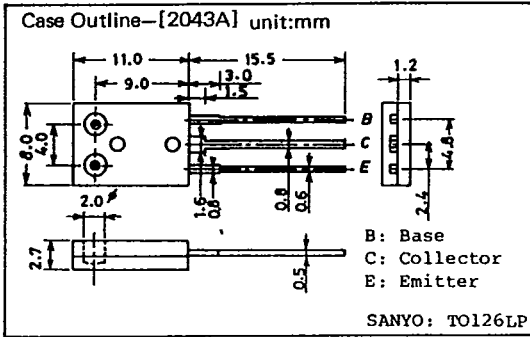




T-91-20



T-91-20



T-91-20

