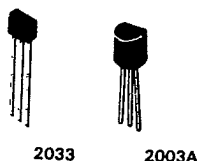


2SC930



T-31-15
T-31-17

NPN Epitaxial Planar
Silicon Transistor

AM Converter, FM RF · IF Amp Applications

©545E

The 2SC930 has two types of package: SPA and NP.

Use

- FM RF amp, mixer, OSC, converter, and IF amplifier.

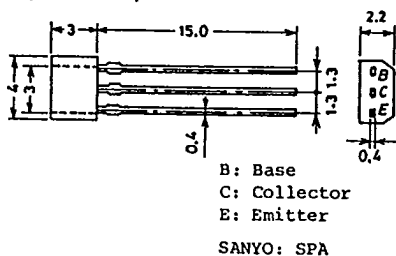
Absolute Maximum Ratings at Ta=25°C		2SC930SPA	2SC930NP	unit
Collector to Base Voltage	V _{CBO}	30	30	V
Collector to Emitter Voltage	V _{CEO}	20	20	V
Emitter to Base Voltage	V _{EBO}	5	5	V
Collector Current	I _C	30	30	mA
Collector Dissipation	P _C	120	250	mW
Junction Temperature	T _j	125	125	°C
Storage Temperature	T _{stg}	-40 to +125	-55 to +125	°C

Electrical Characteristics at Ta=25°C		min			typ	max		unit	
Collector Cutoff Current	I _{CBO}	V _{CB} =10V, I _E =0				1		uA	
Emitter Cutoff Current	I _{EBO}	V _{EB} =4V, I _C =0				1		uA	
DC Current Gain	h _{FE}	V _{CE} =6V, I _C =1mA			40*	80	320*		
Gain Bandwidth Product	f _T	V _{CE} =6V, I _C =1mA			170	300		MHz	
Reverse Transfer capacitance	C _{re}	V _{CB} =6V, I _C =1MHz (2SC930SPA)			0.8	1.6		pF	
Base to Collector Time Constant	τ _{bb'cc}	V _{CB} =6V, f=1MHz (2SC930NP)			1.0	1.3	1.8		pF
		V _{CE} =6V, I _C =1mA				20	36		ps
Noise Figure	NF	f=31.9MHz							
		V _{CE} =6V, I _C =1mA				4.0			dB
Turn-on Time	t _{on}	f=100MHz							
		V _{IN} =+12V, V _{BB} =-3V, appointed circuit				30			ns
Turn-off Time	t _{off}	V _{IN} =-12V, V _{BB} =+3V, appointed circuit				30			ns

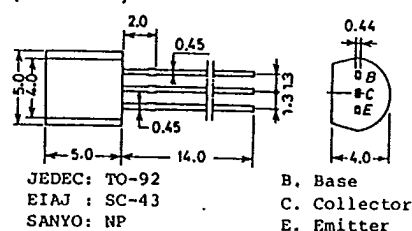
*The 2SC930 is graded as follows by mA h_{FE}:

40	C	80	60	D	120	100	E	200	160	F	320
----	---	----	----	---	-----	-----	---	-----	-----	---	-----

Case Outline 2033
(unit:mm)



Case Outline 2003A
(unit:mm)



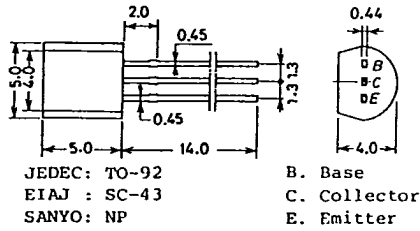
The 2SC930 is scheduled to be discontinued soon. Use the 2SC2839, instead of the 2SC930, in new applications where you are planning to use the 2SC930.

4157KI/D054MW/4263KI/4092KI, MT No. 545-1/17

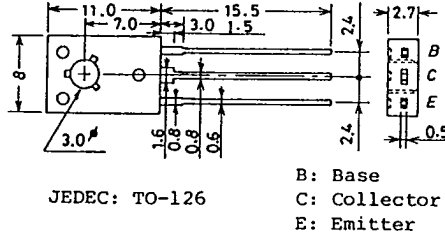
CASE OUTLINES AND ATTACHMENTS

- All of Sanyo Transistor case outlines are illustrated below.
- All dimensions are in mm, and dimensions which are not followed by min. or max. are represented by typical values.
- No marking is indicated.

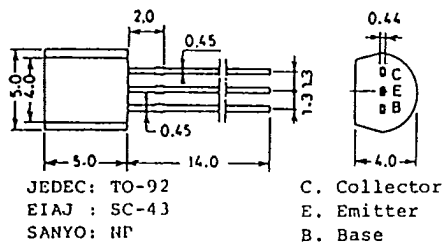
Case Outline-[2003A]
unit:mm



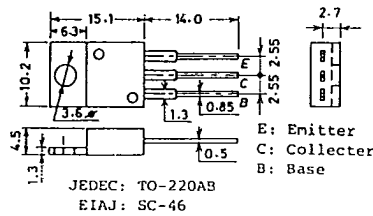
Case Outline-[2009A]
unit:mm



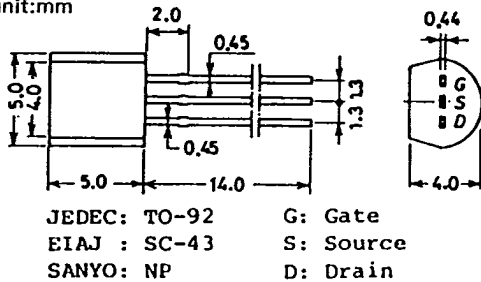
Case Outline-[2004A]
unit:mm



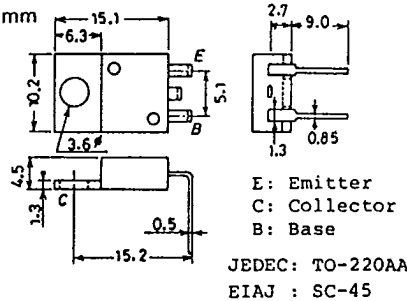
Case Outline-[2010A]
unit:mm



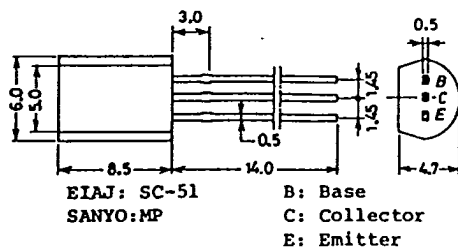
Case Outline-[2005A]
unit:mm



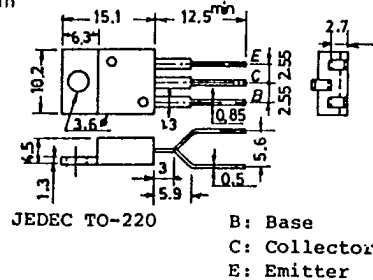
Case Outline-[2012]
unit:mm



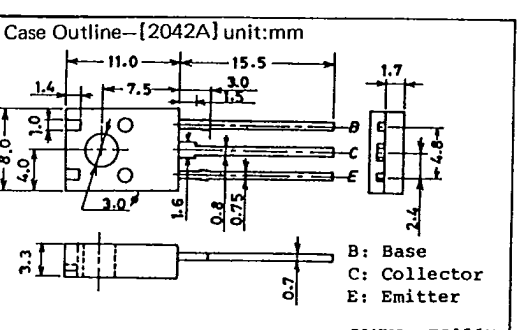
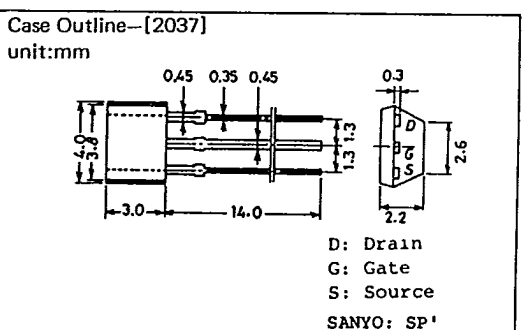
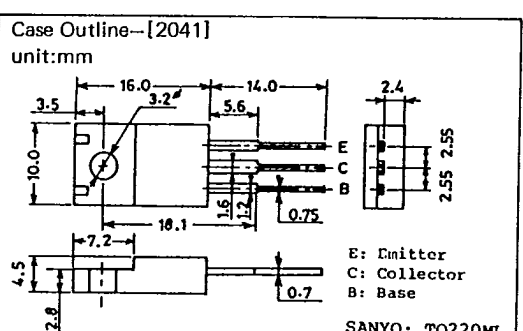
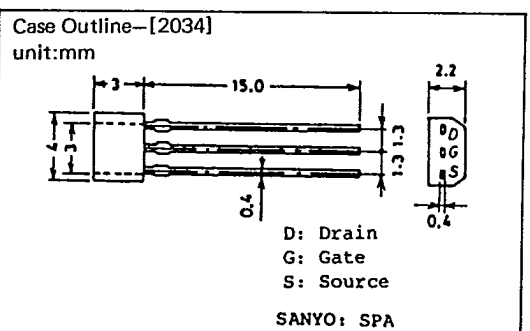
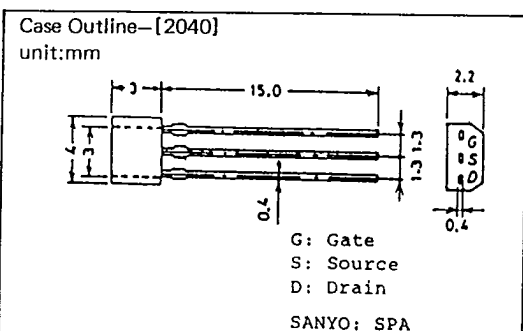
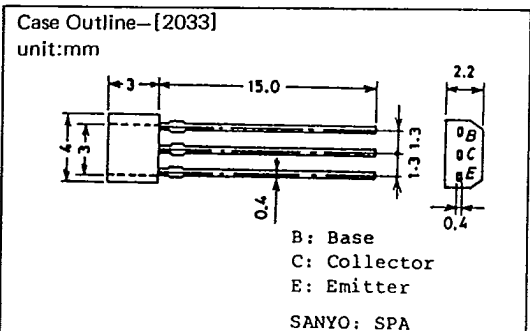
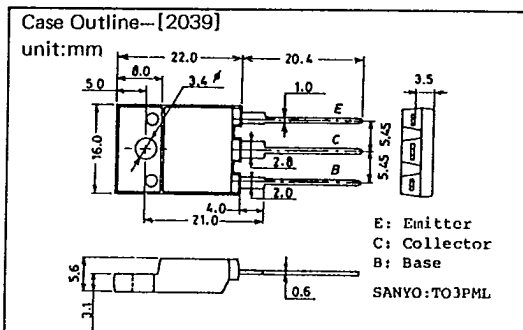
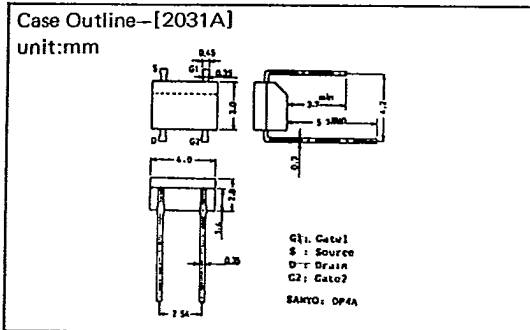
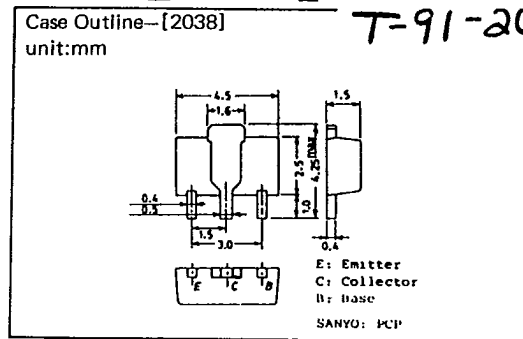
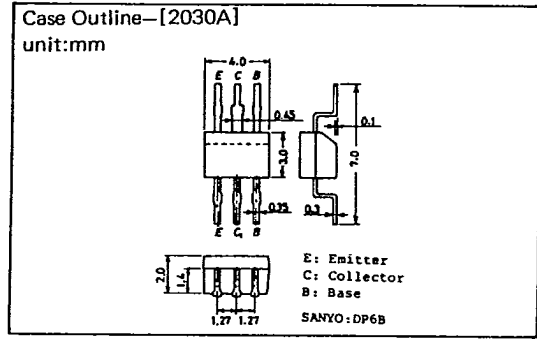
Case Outline-[2006A]
unit:mm



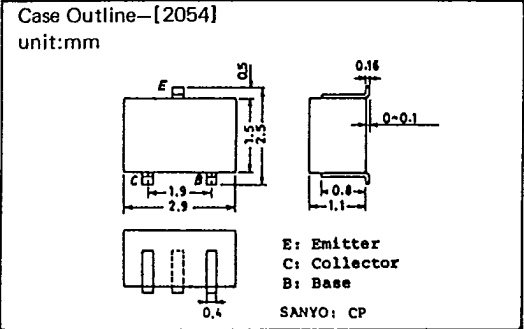
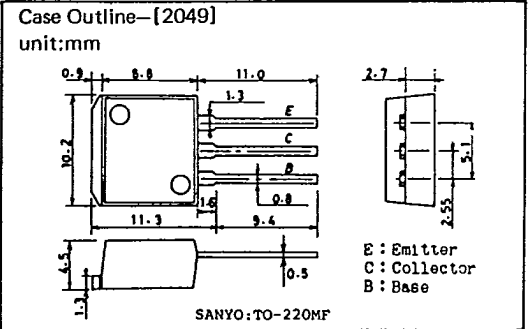
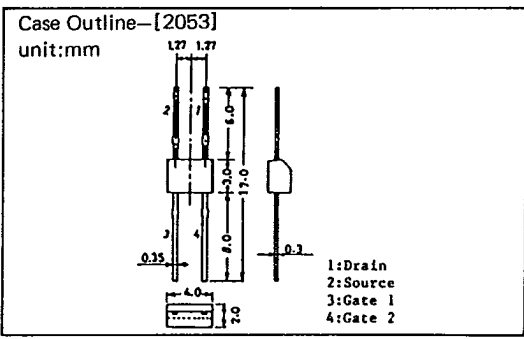
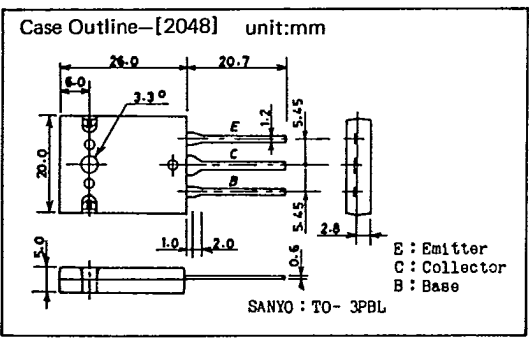
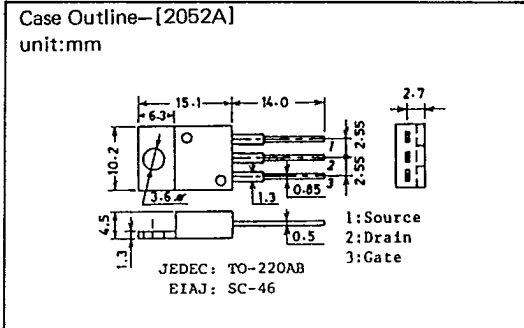
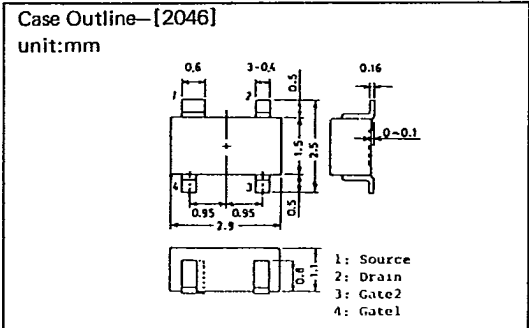
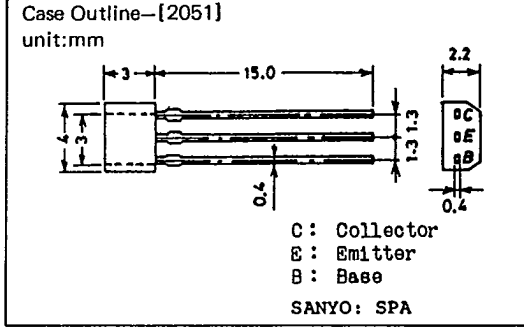
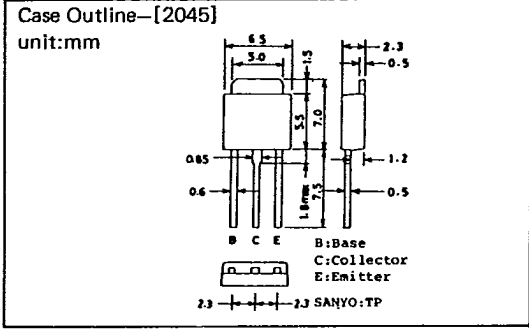
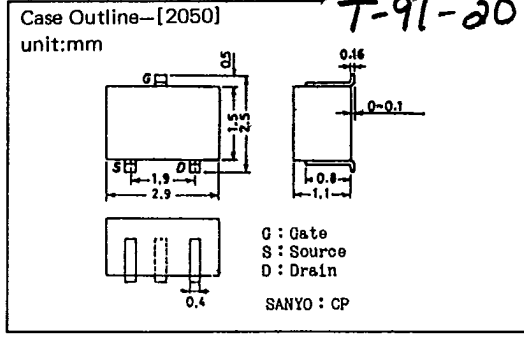
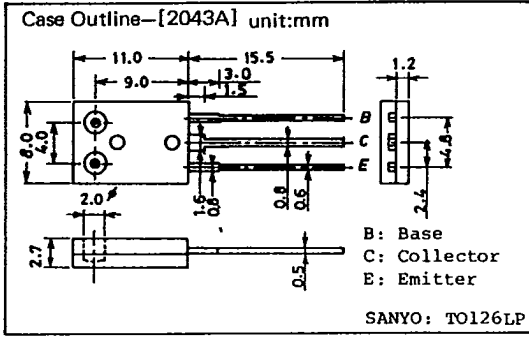
Case Outline-[2013]
unit:mm

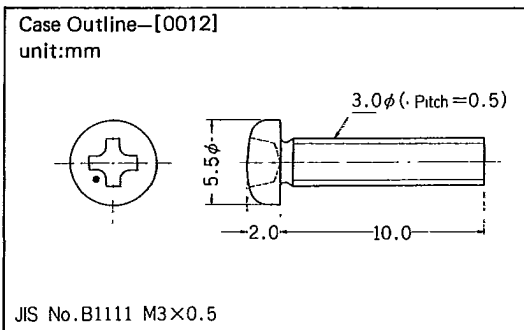
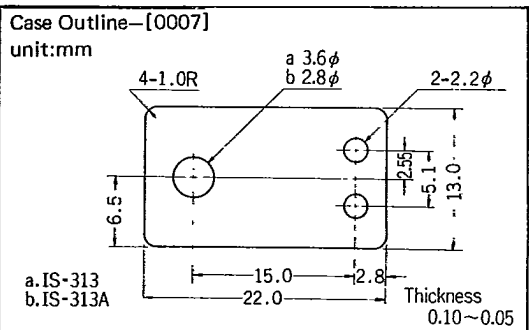
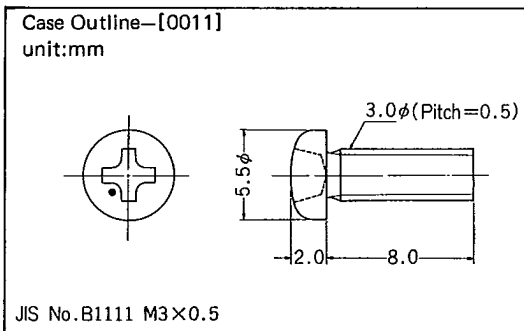
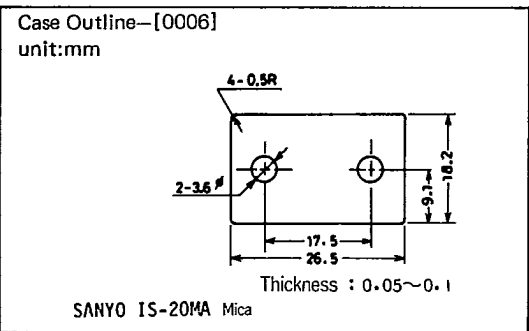
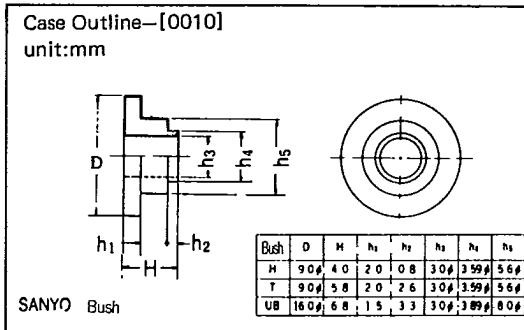
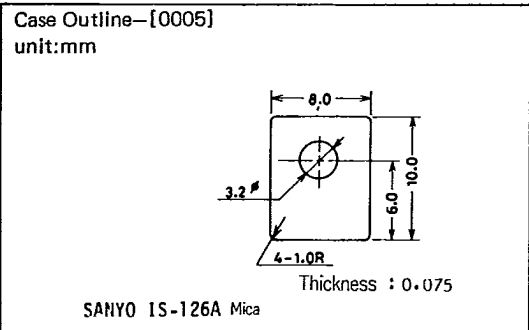
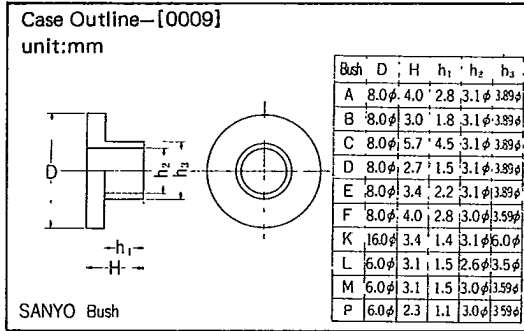
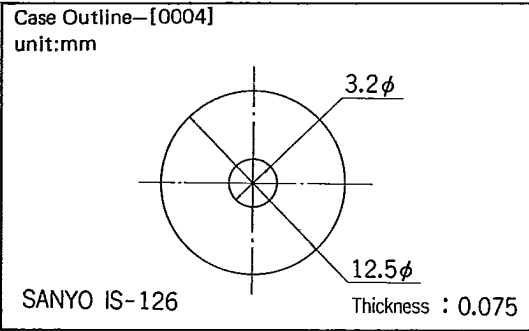
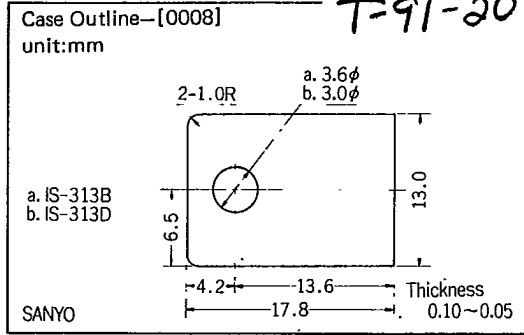
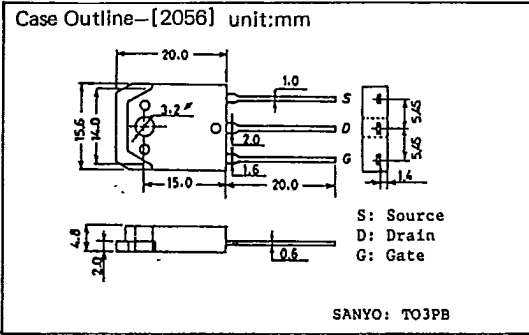


T-91-20

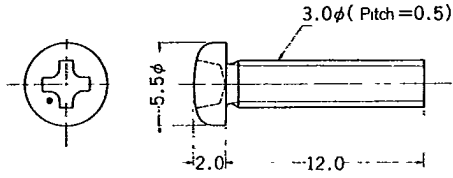


T-91-20



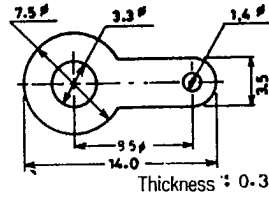


Case Outline-[0013]
unit:mm



JIS No. B1111 M3×0.5

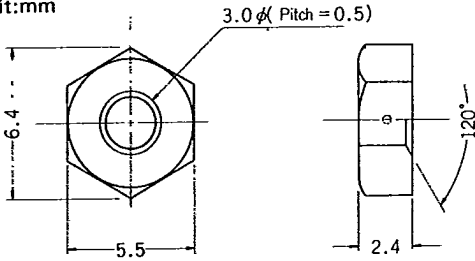
Case Outline-[0018]
unit:mm



SANYO Lug 1.4

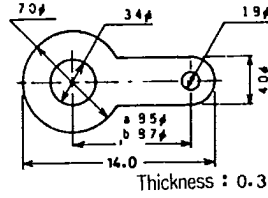
T=91-20

Case Outline-[0014]
unit:mm



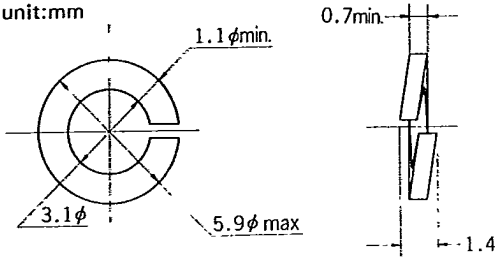
JIS No. B1181 M3×0.5

Case Outline-[0019]
unit:mm



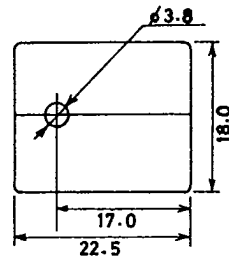
SANYO Lug 1.8φ

Case Outline-[0015]
unit:mm



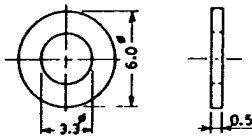
JIS No. B 1251 Spring washer (M3)

Case Outline-[0020]
unit:mm



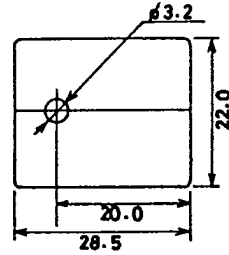
SANYO IS-3MP Mica

Case Outline-[0016]
unit:mm



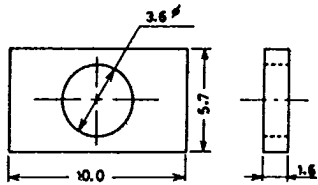
JIS No. B1252 Flat washer

Case Outline-[0021]
unit:mm



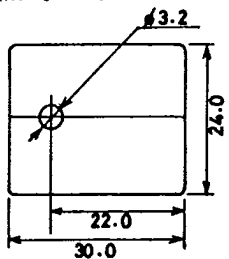
SANYO IS-MPC Mica

Case Outline-[0017]
unit:mm



JIS No. G3141 Rectangular washer

Case Outline-[0022]
unit:mm



SANYO IS-3PBL Mica