

2SC5654

Silicon NPN epitaxial planer type

For DC-DC converter

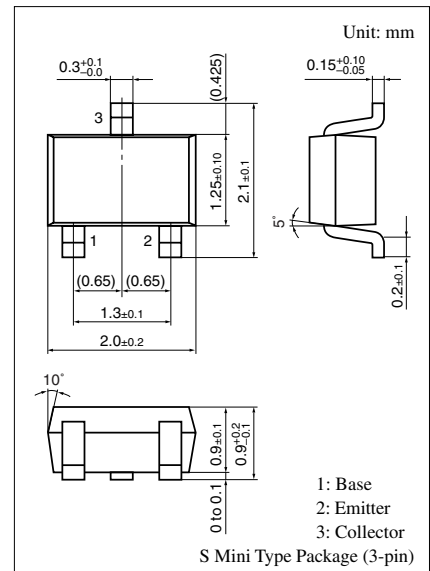
Complementary to 2SA2028

■ Features

- Low collector to emitter saturation voltage $V_{CE(sat)}$
- S-mini type package, allowing downsizing and thinning of the equipment and automatic insertion through the tape packing

■ Absolute Maximum Ratings $T_a = 25^\circ\text{C}$

Parameter	Symbol	Rating	Unit
Collector to base voltage	V_{CBO}	20	V
Collector to emitter voltage	V_{CEO}	20	V
Emitter to base voltage	V_{EBO}	5	V
Peak collector current	I_{CP}	1	A
Collector current	I_C	3	A
Collector power dissipation	P_C	150	mW
Junction temperature	T_j	150	$^\circ\text{C}$
Storage temperature	T_{stg}	-55 to +150	$^\circ\text{C}$



Marking Symbol: 2S

■ Electrical Characteristics $T_a = 25^\circ\text{C} \pm 3^\circ\text{C}$

Parameter	Symbol	Conditions	Min	Typ	Max	Unit
Collector to base voltage	V_{CBO}	$I_C = 10 \mu\text{A}$, $I_E = 0$	20			V
Collector to emitter voltage	V_{CEO}	$I_C = 1 \text{ mA}$, $I_B = 0$	20			V
Emitter to base voltage	V_{EBO}	$I_E = 10 \mu\text{A}$, $I_C = 0$	5			V
Forward current transfer ratio	h_{FE}	$V_{CE} = 2 \text{ V}$, $I_C = 100 \text{ mA}$	160		560	
Collector to emitter saturation voltage	$V_{CE(sat)}$	$I_C = 200 \text{ mA}$, $I_B = 10 \text{ mA}$		60	100	mV
Collector output capacitance	C_{ob}	$V_{CB} = 10 \text{ V}$, $I_E = 0$, $f = 1 \text{ MHz}$		12	30	pF
Transition frequency	f_T	$V_{CB} = 10 \text{ V}$, $I_E = -10 \text{ mA}$, $f = 200 \text{ MHz}$		180		MHz