

2SC5555

Silicon NPN Epitaxial
VHF / UHF wide band amplifier

HITACHI

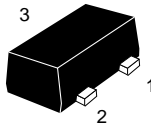
ADE-208-693 (Z)
1st. Edition
Nov. 1998

Features

- Super compact package;
(1.4 × 0.8 × 0.59mm)
- Capable low voltage operation ;
($V_{CE} = 1V$)

Outline

MFPAK



1. Emitter
2. Base
3. Collector

Note: Marking is "ZD-".

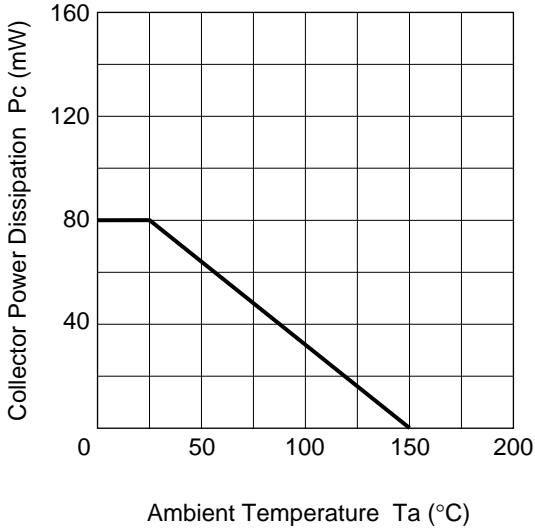
Absolute Maximum Ratings ($T_a = 25^\circ\text{C}$)

Item	Symbol	Ratings	Unit
Collector to base voltage	V_{CBO}	15	V
Collector to emitter voltage	V_{CEO}	8	V
Emitter to base voltage	V_{EBO}	1.5	V
Collector current	I_C	50	mA
Collector power dissipation	P_c	80	mW
Junction temperature	T_j	150	$^\circ\text{C}$
Storage temperature	T_{stg}	-55 to +150	$^\circ\text{C}$

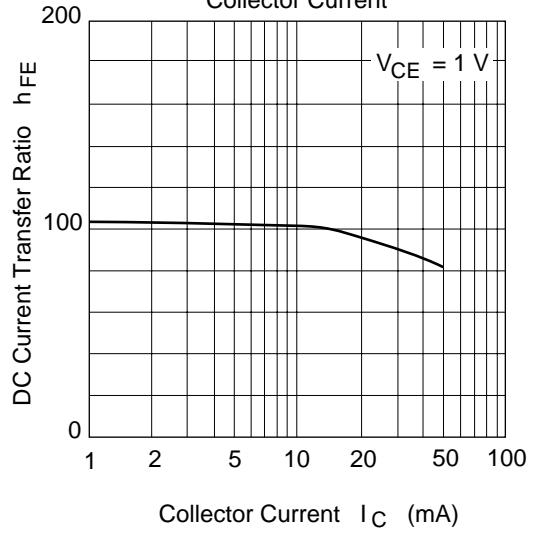
Electrical Characteristics ($T_a = 25^\circ\text{C}$)

Item	Symbol	Min	Typ	Max	Unit	Test Conditions
Collector to base breakdown voltage	$V_{(BR)CBO}$	15	—	—	V	$I_C = 10\mu\text{A}$, $I_E = 0$
Collector cutoff current	I_{CBO}	—	—	1	μA	$V_{CB} = 12\text{V}$, $I_E = 0$
Collector cutoff current	I_{CEO}	—	—	1	mA	$V_{CE} = 8\text{V}$, $R_{BE} = \text{---}$
Emitter cutoff current	I_{EBO}	—	—	10	μA	$V_{EB} = 1.5\text{V}$, $I_C = 0$
DC current transfer ratio	h_{FE}	50	100	160	V	$V_{CE} = 1\text{V}$, $I_C = 5\text{mA}$
Collector output capacitance	C_{ob}	—	0.55	0.85	pF	$V_{CB} = 1\text{V}$, $I_E = 0$ $f = 1\text{MHz}$
Gain bandwidth product	f_T	6	9	—	GHz	$V_{CE} = 1\text{V}$, $I_C = 5\text{mA}$
Power gain	PG	11	14	—	dB	$V_{CE} = 1\text{V}$, $I_C = 5\text{mA}$ $f = 900\text{MHz}$
Noise figure	NF	—	1.1	2.0	dB	$V_{CE} = 1\text{V}$, $I_C = 5\text{mA}$ $f = 900\text{MHz}$

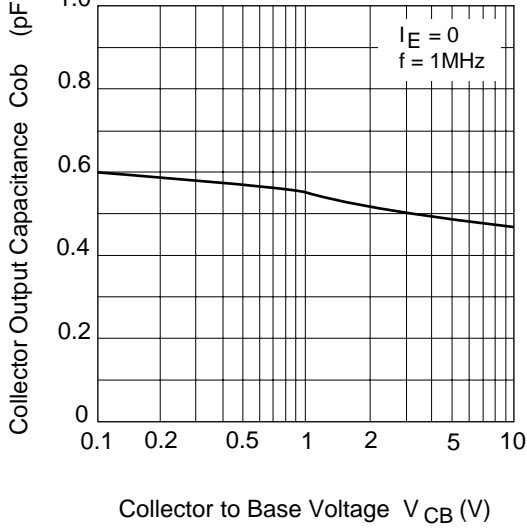
Maximum Collector Dissipation Curve



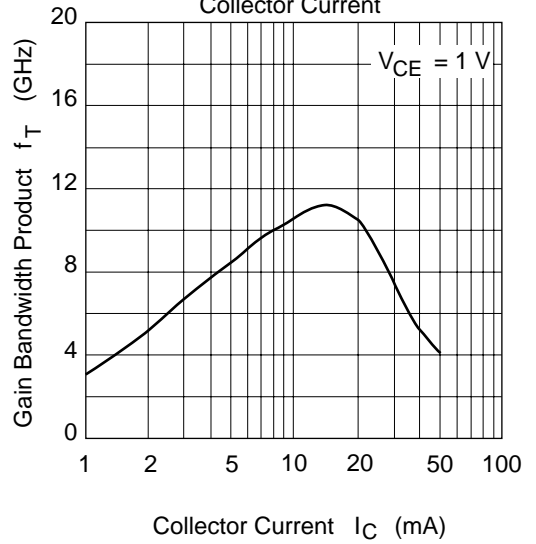
DC Current Transfer Ratio vs. Collector Current

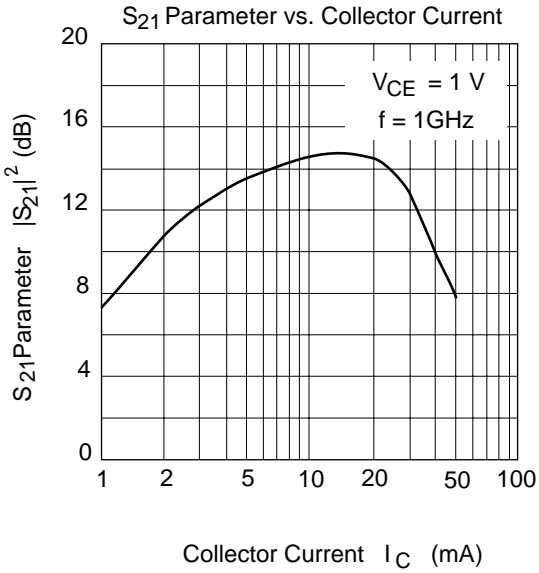
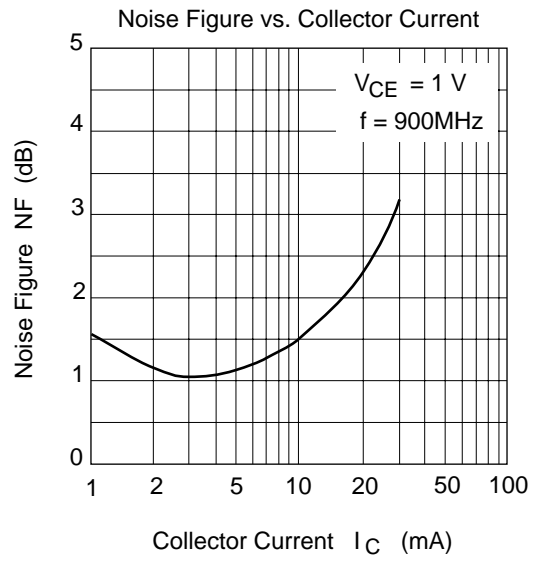
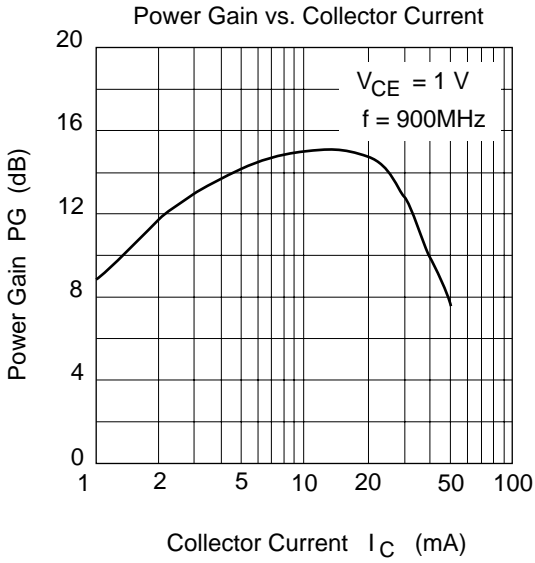


Collector Output Capacitance vs. Collector to Base Voltage

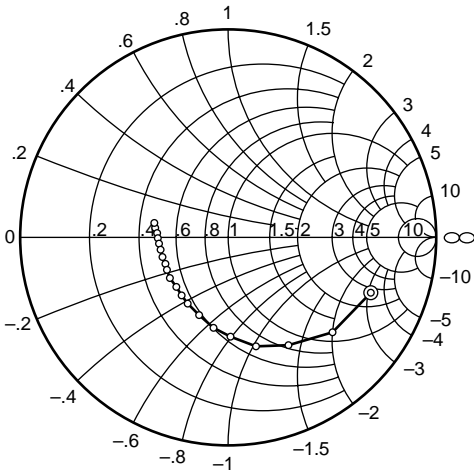


Gain Bandwidth Product vs. Collector Current





S11 Parameter vs. Frequency

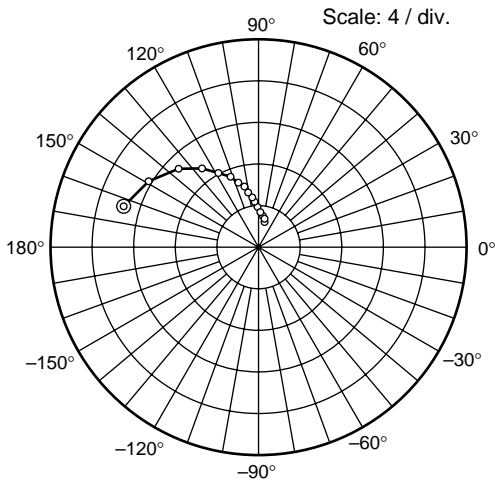


Condition : $V_{CE} = 1 V, I_C = 5mA$

100 to 2000 MHz (100 MHz step)

⊙—○

S21 Parameter vs. Frequency

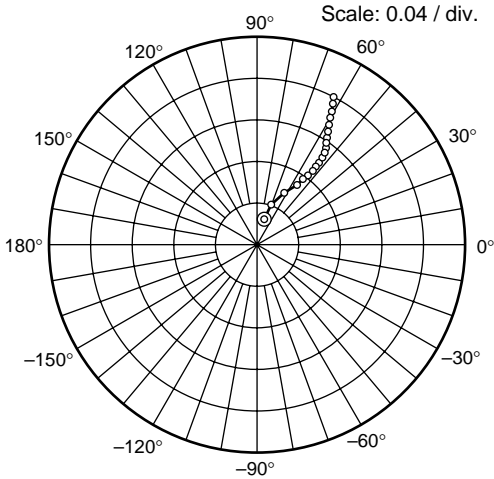


Condition : $V_{CE} = 1 V, I_C = 5mA$

100 to 2000 MHz (100 MHz step)

⊙—○

S12 Parameter vs. Frequency

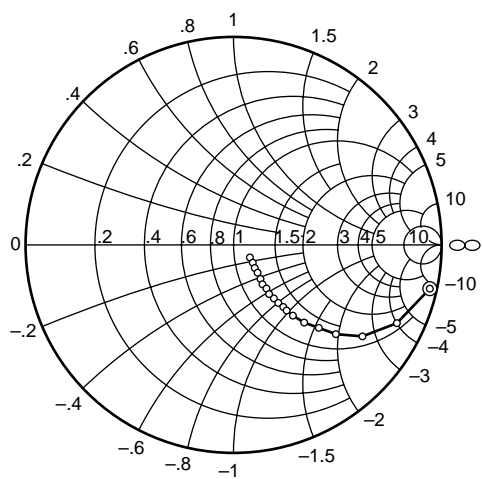


Condition : $V_{CE} = 1 V, I_C = 5mA$

100 to 2000 MHz (100 MHz step)

⊙—○

S22 Parameter vs. Frequency



Condition : $V_{CE} = 1 V, I_C = 5mA$

100 to 2000 MHz (100 MHz step)

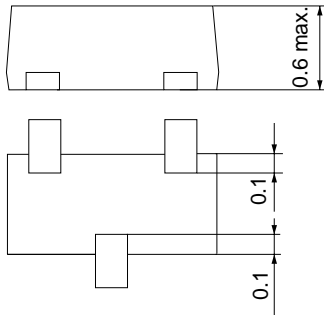
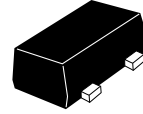
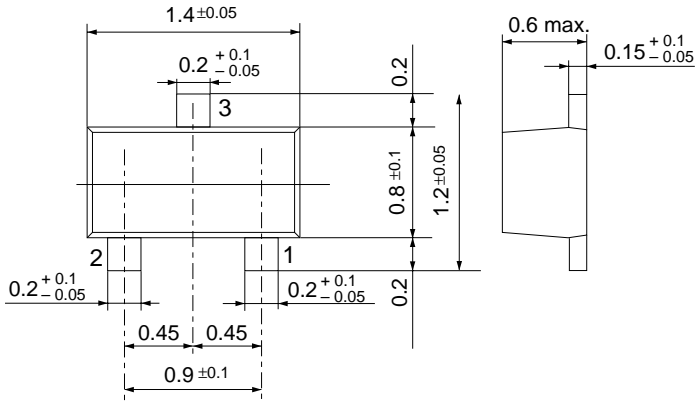
⊙—○

Sparameter ($V_{CE} = 1V$, $I_C = 5mA$, $Z_o = 50\Omega$)

f (MHz)	S11		S21		S12		S22	
	MAG	ANG	MAG	ANG	MAG	ANG	MAG	ANG
100	0.734	-21.4	13.62	163.7	0.0220	78.7	0.956	-13.4
200	0.676	-41.9	12.34	148.7	0.0421	69.3	0.865	-25.5
300	0.598	-59.8	10.79	136.0	0.0572	61.9	0.753	-34.7
400	0.530	-75.6	9.38	126.5	0.0678	57.2	0.652	-41.0
500	0.471	-88.8	8.18	118.9	0.0756	55.0	0.568	-45.4
600	0.429	-100.8	7.19	112.9	0.0821	53.9	0.498	-48.3
700	0.395	-110.8	6.40	107.8	0.0881	53.4	0.442	-50.2
800	0.370	-120.6	5.74	103.5	0.0940	53.4	0.395	-51.7
900	0.349	-130.0	5.20	100.1	0.0990	54.0	0.355	-52.3
1000	0.336	-136.4	4.74	96.9	0.104	54.6	0.323	-52.7
1100	0.332	-144.1	4.39	93.9	0.109	55.5	0.294	-52.9
1200	0.327	-151.6	4.05	91.4	0.115	56.4	0.270	-52.8
1300	0.322	-157.0	3.77	89.1	0.120	57.4	0.250	-52.2
1400	0.325	-162.9	3.54	86.9	0.125	58.0	0.230	-52.6
1500	0.322	-168.0	3.32	84.9	0.130	58.8	0.215	-52.0
1600	0.331	-172.6	3.14	82.7	0.138	59.8	0.200	-51.5
1700	0.338	-177.0	2.97	80.9	0.143	60.3	0.185	-51.5
1800	0.337	179.0	2.84	79.4	0.149	61.5	0.171	-51.2
1900	0.341	175.4	2.71	77.9	0.154	61.7	0.158	-51.1
2000	0.358	170.8	2.59	76.0	0.161	62.4	0.147	-50.9

Package Dimensions

Unit: mm



Hitachi Code	MFPK
EIAJ	—
JEDEC	—

Cautions

1. Hitachi neither warrants nor grants licenses of any rights of Hitachi's or any third party's patent, copyright, trademark, or other intellectual property rights for information contained in this document. Hitachi bears no responsibility for problems that may arise with third party's rights, including intellectual property rights, in connection with use of the information contained in this document.
2. Products and product specifications may be subject to change without notice. Confirm that you have received the latest product standards or specifications before final design, purchase or use.
3. Hitachi makes every attempt to ensure that its products are of high quality and reliability. However, contact Hitachi's sales office before using the product in an application that demands especially high quality and reliability or where its failure or malfunction may directly threaten human life or cause risk of bodily injury, such as aerospace, aeronautics, nuclear power, combustion control, transportation, traffic, safety equipment or medical equipment for life support.
4. Design your application so that the product is used within the ranges guaranteed by Hitachi particularly for maximum rating, operating supply voltage range, heat radiation characteristics, installation conditions and other characteristics. Hitachi bears no responsibility for failure or damage when used beyond the guaranteed ranges. Even within the guaranteed ranges, consider normally foreseeable failure rates or failure modes in semiconductor devices and employ systemic measures such as fail-safes, so that the equipment incorporating Hitachi product does not cause bodily injury, fire or other consequential damage due to operation of the Hitachi product.
5. This product is not designed to be radiation resistant.
6. No one is permitted to reproduce or duplicate, in any form, the whole or part of this document without written approval from Hitachi.
7. Contact Hitachi's sales office for any questions regarding this document or Hitachi semiconductor products.

HITACHI

Hitachi, Ltd.

Semiconductor & Integrated Circuits.
Nippon Bldg., 2-6-2, Ohte-machi, Chiyoda-ku, Tokyo 100-0004, Japan
Tel: Tokyo (03) 3270-2111 Fax: (03) 3270-5109

URL North America : <http://semiconductor.hitachi.com/>
 Europe : <http://www.hitachi-eu.com/hel/ecg>
 Asia (Singapore) : <http://www.has.hitachi.com.sg/grp3/sicd/index.htm>
 Asia (Taiwan) : http://www.hitachi.com.tw/E/Product/SICD_Frame.htm
 Asia (HongKong) : <http://www.hitachi.com.hk/eng/bo/grp3/index.htm>
 Japan : <http://www.hitachi.co.jp/Sicd/indx.htm>

For further information write to:

Hitachi Semiconductor
(America) Inc.
179 East Tasman Drive,
San Jose, CA 95134
Tel: <1> (408) 433-1990
Fax: <1> (408) 433-0223

Hitachi Europe GmbH
Electronic components Group
Dornacher Straße 3
D-85622 Feldkirchen, Munich
Germany
Tel: <49> (89) 9 9180-0
Fax: <49> (89) 9 29 30 00

Hitachi Europe Ltd.
Electronic Components Group.
Whitebrook Park
Lower Cookham Road
Maidenhead
Berkshire SL6 8YA, United Kingdom
Tel: <44> (1628) 585000
Fax: <44> (1628) 778322

Hitachi Asia Pte. Ltd.
16 Collyer Quay #20-00
Hitachi Tower
Singapore 049318
Tel: 535-2100
Fax: 535-1533

Hitachi Asia Ltd.
Taipei Branch Office
3F, Hung Kuo Building, No.167,
Tun-Hwa North Road, Taipei (105)
Tel: <886> (2) 2718-3666
Fax: <886> (2) 2718-8180

Hitachi Asia (Hong Kong) Ltd.
Group III (Electronic Components)
7/F., North Tower, World Finance Centre,
Harbour City, Canton Road, Tsim Sha Tsui,
Kowloon, Hong Kong
Tel: <852> (2) 735 9218
Fax: <852> (2) 730 0281
Telex: 40815 HITEC HX

Copyright ' Hitachi, Ltd., 1999. All rights reserved. Printed in Japan.

HITACHI