

TOSHIBA TRANSISTOR SILICON NPN EPITAXIAL PLANAR TYPE

# 2SC5090

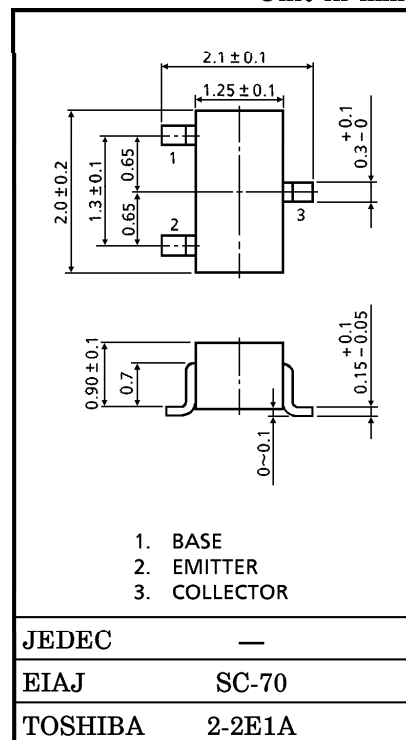
VHF~UHF BAND LOW NOISE AMPLIFIER APPLICATIONS

Unit in mm

- Low Noise Figure, High Gain.
- $NF=1.1dB, |S_{21e}|^2=13dB (f=1GHz)$

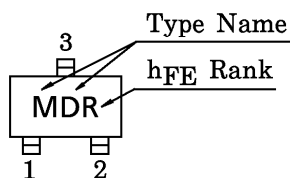
MAXIMUM RATINGS (Ta = 25°C)

CHARACTERISTIC	SYMBOL	RATING	UNIT
Collector-Base Voltage	V <sub>CBO</sub>	20	V
Collector-Emitter Voltage	V <sub>CEO</sub>	10	V
Emitter-Base Voltage	V <sub>EBO</sub>	1.5	V
Base Current	I <sub>B</sub>	20	mA
Collector Current	I <sub>C</sub>	40	mA
Collector Power Dissipation	P <sub>C</sub>	100	mW
Junction Temperature	T <sub>j</sub>	125	°C
Storage Temperature Range	T <sub>stg</sub>	-55~125	°C



Weight : 0.006g

MARKING



MICROWAVE CHARACTERISTICS (Ta = 25°C)

CHARACTERISTIC	SYMBOL	TEST CONDITION	MIN.	TYP.	MAX.	UNIT
Transition Frequency	f <sub>T</sub>	V <sub>CE</sub> =8V, I <sub>C</sub> =20mA	7	10	—	GHz
Insertion Gain	S <sub>21e</sub>   <sup>2</sup> (1)	V <sub>CE</sub> =8V, I <sub>C</sub> =20mA, f=1GHz	10	13	—	dB
	S <sub>21e</sub>   <sup>2</sup> (2)	V <sub>CE</sub> =8V, I <sub>C</sub> =20mA, f=2GHz	—	7	—	
Noise Figure	NF (1)	V <sub>CE</sub> =8V, I <sub>C</sub> =5mA, f=1GHz	—	1.1	2.5	dB
	NF (2)	V <sub>CE</sub> =8V, I <sub>C</sub> =5mA, f=2GHz	—	1.7	—	

ELECTRICAL CHARACTERISTICS (Ta = 25°C)

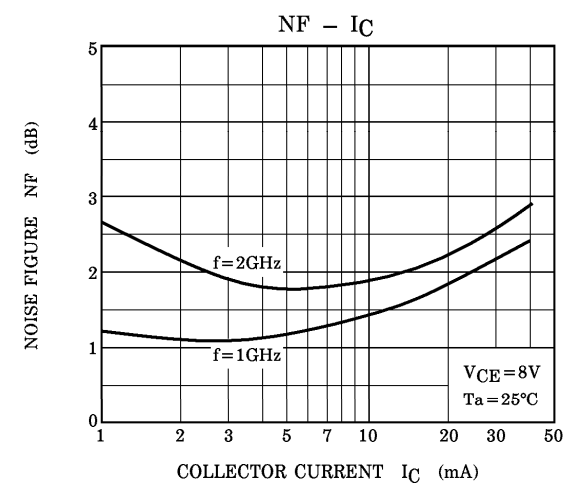
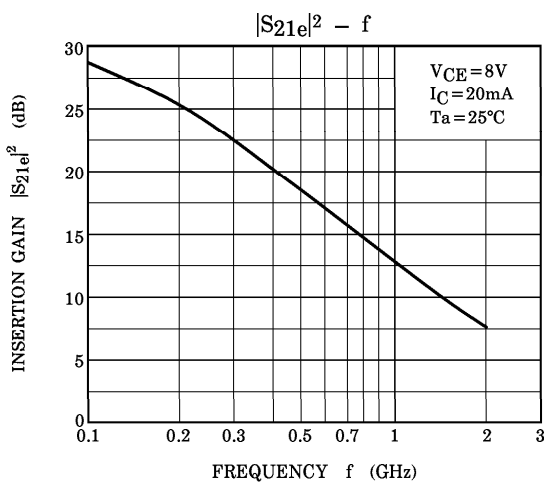
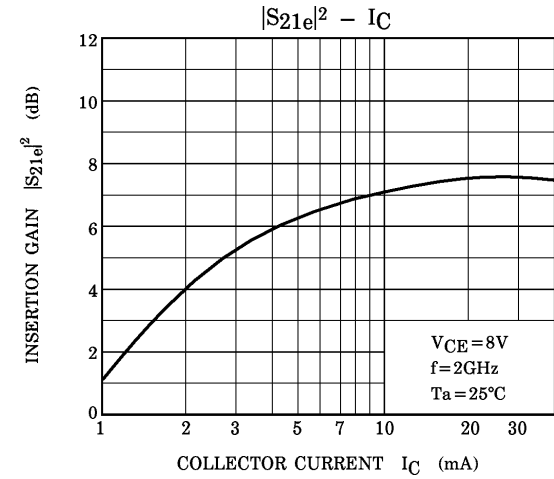
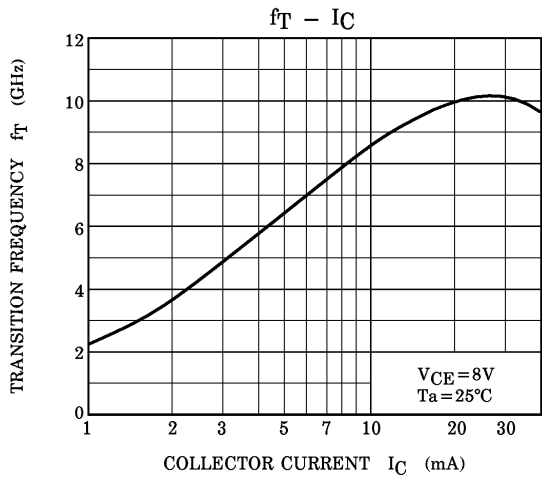
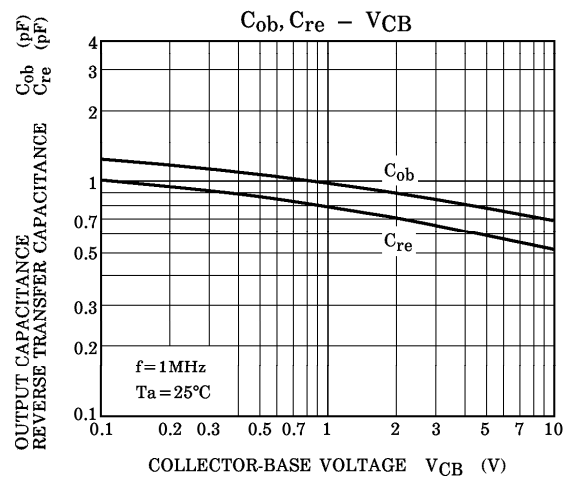
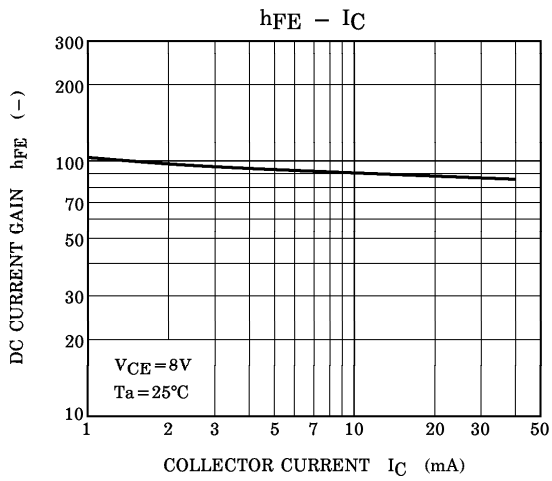
CHARACTERISTIC	SYMBOL	TEST CONDITION	MIN.	TYP.	MAX.	UNIT
Collector Cut-off Current	I <sub>CBO</sub>	V <sub>CB</sub> =10V, I <sub>E</sub> =0	—	—	1	μA
Emitter Cut-off Current	I <sub>EBO</sub>	V <sub>EB</sub> =1V, I <sub>C</sub> =0	—	—	1	μA
DC Current Gain	h <sub>FE</sub> (Note 1)	V <sub>CE</sub> =8V, I <sub>C</sub> =20mA	50	—	160	—
Output Capacitance	C <sub>ob</sub>	V <sub>CB</sub> =10V, I <sub>E</sub> =0, f=1MHz	—	0.7	—	pF
Reverse Transfer Capacitance	C <sub>re</sub>		(Note 2)	—	0.5	0.95

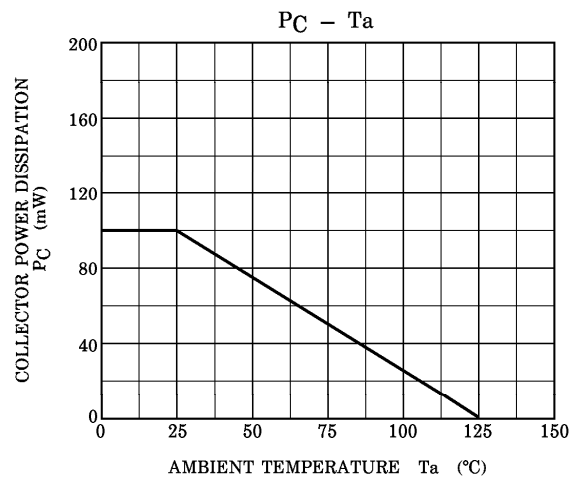
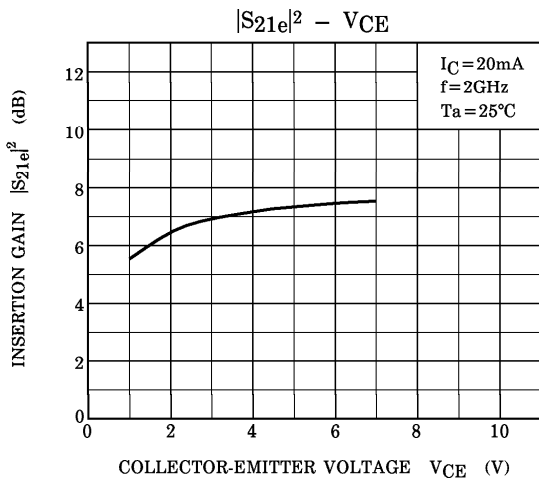
(Note 1) h<sub>FE</sub> Classification R : 50~100, O : 80~160

(Note 2) C<sub>re</sub> is measured by 3 terminal method with capacitance bridge.

961001EAA2

- TOSHIBA is continually working to improve the quality and the reliability of its products. Nevertheless, semiconductor devices in general can malfunction or fail due to their inherent electrical sensitivity and vulnerability to physical stress. It is the responsibility of the buyer, when utilizing TOSHIBA products, to observe standards of safety, and to avoid situations in which a malfunction or failure of a TOSHIBA product could cause loss of human life, bodily injury or damage to property. In developing your designs, please ensure that TOSHIBA products are used within specified operating ranges as set forth in the most recent products specifications. Also, please keep in mind the precautions and conditions set forth in the TOSHIBA Semiconductor Reliability Handbook.
- The information contained herein is presented only as a guide for the applications of our products. No responsibility is assumed by TOSHIBA CORPORATION for any infringements of intellectual property or other rights of the third parties which may result from its use. No license is granted by implication or otherwise under any intellectual property or other rights of TOSHIBA CORPORATION or others.
- The information contained herein is subject to change without notice.





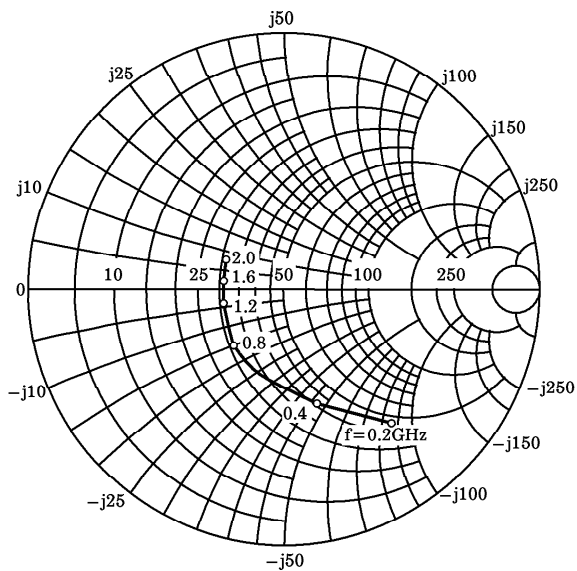
S-Parameter Z<sub>0</sub> = 50Ω, Ta = 25°C  
V<sub>CE</sub> = 8V, I<sub>C</sub> = 5mA

frequency (MHz)	S11		S21		S12		S22	
	Mag.	Ang.	Mag.	Ang.	Mag.	Ang.	Mag.	Ang.
200	0.683	-50.1	10.186	138.3	0.049	62.0	0.773	-30.0
400	0.462	-86.9	7.472	114.6	0.071	54.3	0.556	-39.6
600	0.343	-113.1	5.618	100.9	0.086	53.8	0.448	-41.7
800	0.282	-133.6	4.407	91.7	0.101	55.3	0.392	-41.6
1000	0.249	-151.0	3.663	84.7	0.115	57.2	0.360	-41.7
1200	0.236	-166.6	3.128	78.7	0.131	58.9	0.339	-41.7
1400	0.233	179.7	2.759	73.1	0.150	60.1	0.330	-42.8
1600	0.234	168.3	2.457	68.2	0.168	60.0	0.319	-45.0
1800	0.238	158.6	2.224	63.4	0.185	60.0	0.311	-47.9
2000	0.251	149.6	2.038	59.4	0.203	60.4	0.302	-50.2

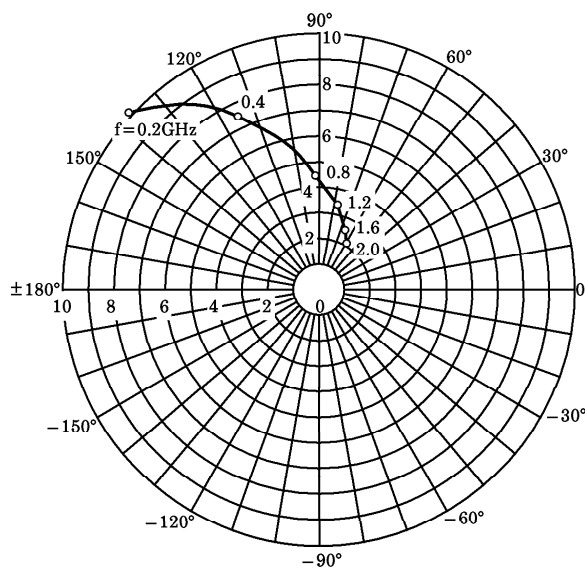
V<sub>CE</sub> = 8V, I<sub>C</sub> = 20mA

frequency (MHz)	S11		S21		S12		S22	
	Mag.	Ang.	Mag.	Ang.	Mag.	Ang.	Mag.	Ang.
200	0.319	-91.9	18.338	116.7	0.033	65.3	0.494	-43.5
400	0.213	-134.2	10.303	99.2	0.054	68.9	0.312	-42.4
600	0.185	-160.0	7.111	90.3	0.076	70.8	0.258	-37.6
800	0.176	-178.2	5.415	84.3	0.098	71.2	0.236	-34.3
1000	0.174	167.8	4.400	79.2	0.120	71.1	0.228	-32.0
1200	0.178	156.8	3.712	74.8	0.143	70.3	0.226	-31.5
1400	0.186	147.5	3.236	70.3	0.168	68.7	0.226	-32.8
1600	0.194	139.7	2.874	66.3	0.190	66.6	0.223	-35.9
1800	0.199	133.7	2.583	62.6	0.211	64.9	0.216	-39.0
2000	0.215	127.8	2.369	58.8	0.232	63.5	0.211	-41.9

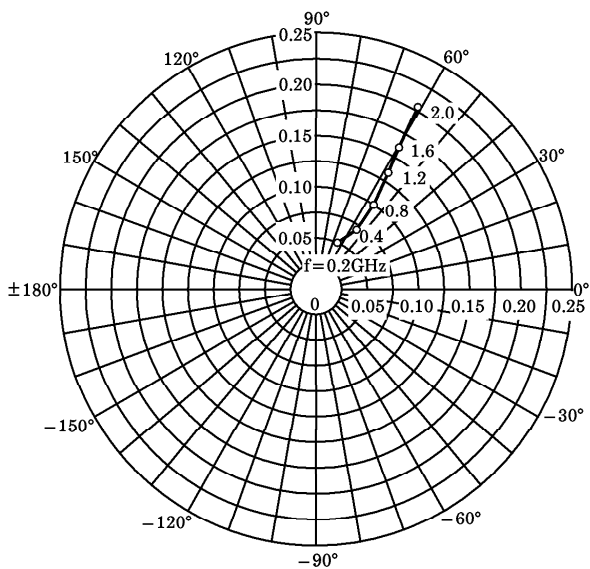
**S<sub>11e</sub>**  
 V<sub>CE</sub>=8V  
 I<sub>C</sub>=5mA  
 T<sub>a</sub>=25°C  
 (UNIT : Ω)



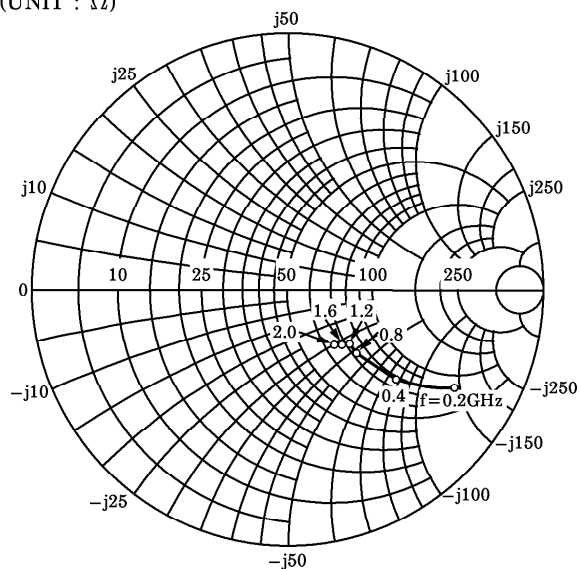
**S<sub>21e</sub>**  
 V<sub>CE</sub>=8V  
 I<sub>C</sub>=5mA  
 T<sub>a</sub>=25°C



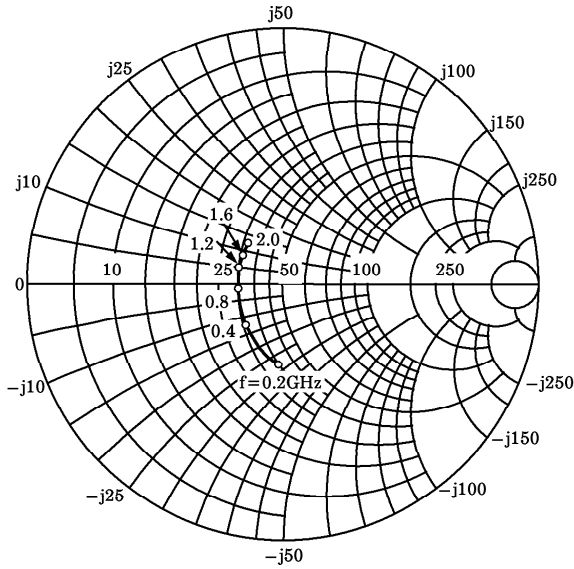
**S<sub>12e</sub>**  
 V<sub>CE</sub>=8V  
 I<sub>C</sub>=5mA  
 T<sub>a</sub>=25°C



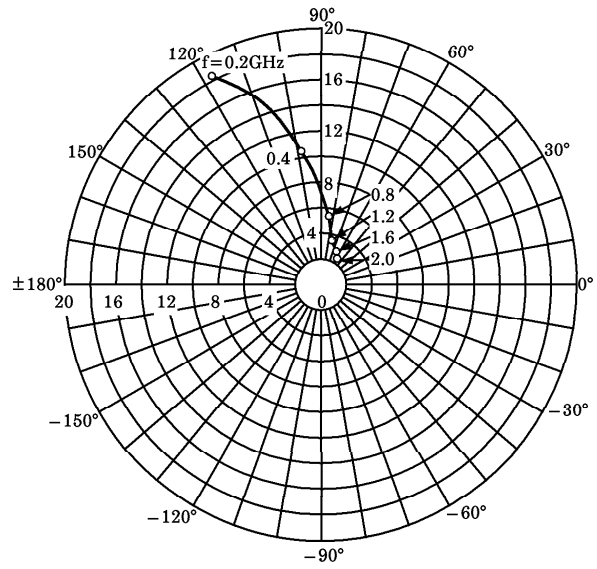
**S<sub>22e</sub>**  
 V<sub>CE</sub>=8V  
 I<sub>C</sub>=5mA  
 T<sub>a</sub>=25°C  
 (UNIT : Ω)



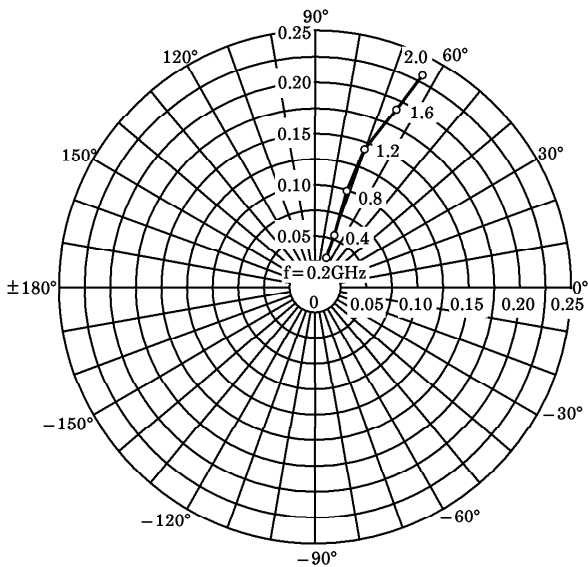
**S<sub>11e</sub>**  
 V<sub>CE</sub> = 8V  
 I<sub>C</sub> = 20mA  
 T<sub>a</sub> = 25°C  
 (UNIT : Ω)



**S<sub>21e</sub>**  
 V<sub>CE</sub> = 8V  
 I<sub>C</sub> = 20mA  
 T<sub>a</sub> = 25°C



**S<sub>12e</sub>**  
 V<sub>CE</sub> = 8V  
 I<sub>C</sub> = 20mA  
 T<sub>a</sub> = 25°C



**S<sub>22e</sub>**  
 V<sub>CE</sub> = 8V  
 I<sub>C</sub> = 20mA  
 T<sub>a</sub> = 25°C  
 (UNIT : Ω)

