

SANYO	No.4759	2SC4855
		NPN Epitaxial Planar Silicon Transistor Low-Voltage, Low-Current & High-Frequency Amp Applications

Features

- Low-voltage, low-current operation : $f_T = 5\text{GHz}$ typ.
($V_{CE} = 1\text{V}, I_C = 1\text{mA}$) : $|S_{21e}|^2 = 7.5\text{dB}$ typ ($f = 1\text{GHz}$).
: $NF = 2.6\text{dB}$ typ ($f = 1\text{GHz}$).

Absolute Maximum Ratings at $T_a = 25^\circ\text{C}$

			unit
Collector-to-Base Voltage	V_{CB0}	12	V
Collector-to-Emitter Voltage	V_{CEO}	6	V
Emitter-to-Base Voltage	V_{EBO}	1.5	V
Collector Current	I_C	15	mA
Collector Dissipation	P_C	80	mW
Junction Temperature	T_j	150	$^\circ\text{C}$
Storage Temperature	T_{stg}	-55 to +150	$^\circ\text{C}$

Electrical Characteristics at $T_a = 25^\circ\text{C}$

			min	typ	max	unit
Collector Cutoff Current	I_{CBO}	$V_{CB} = 5\text{V}, I_E = 0$			1.0	μA
Emitter Cutoff Current	I_{EBO}	$V_{EB} = 1\text{V}, I_C = 0$			10	μA
DC Current Gain	h_{FE}	$V_{CE} = 1\text{V}, I_C = 1\text{mA}$	60*		270*	
Gain-Bandwidth Product	f_T	$V_{CE} = 1\text{V}, I_C = 1\text{mA}$		5		GHz
Output Capacitance	C_{ob}	$V_{CB} = 1\text{V}, f = 1\text{MHz}$		0.6	1.0	pF
Forward Transfer Gain	$ S_{21e} ^2$	(1) $V_{CE} = 1\text{V}, I_C = 1\text{mA}, f = 1\text{GHz}$	5	7.5		dB
		(2) $V_{CE} = 2\text{V}, I_C = 3\text{mA}, f = 1\text{GHz}$		11.5		dB
Noise Figure	NF	(1) $V_{CE} = 1\text{V}, I_C = 1\text{mA}, f = 1\text{GHz}$		2.6	4.5	dB
		(2) $V_{CE} = 2\text{V}, I_C = 3\text{mA}, f = 1\text{GHz}$		1.9		dB

* : The 2SC4855 are classified by 1mA h_{FE} as follows:

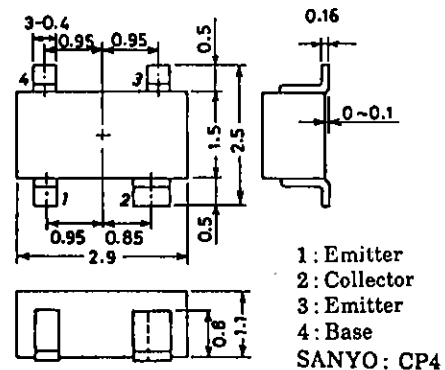
60	3	120	90	4	180	135	5	270
----	---	-----	----	---	-----	-----	---	-----

Marking : CN

h_{FE} rank : 3,4,5

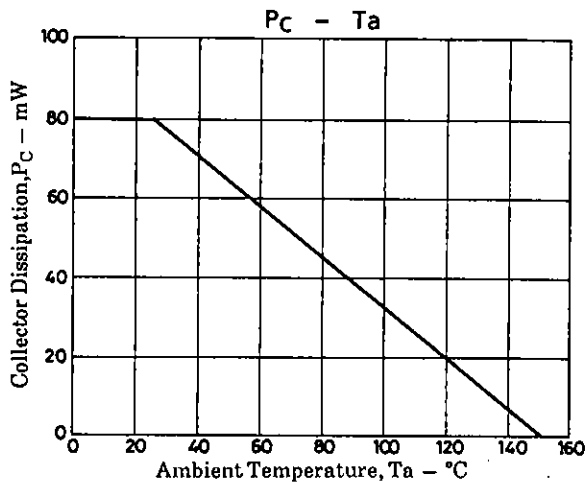
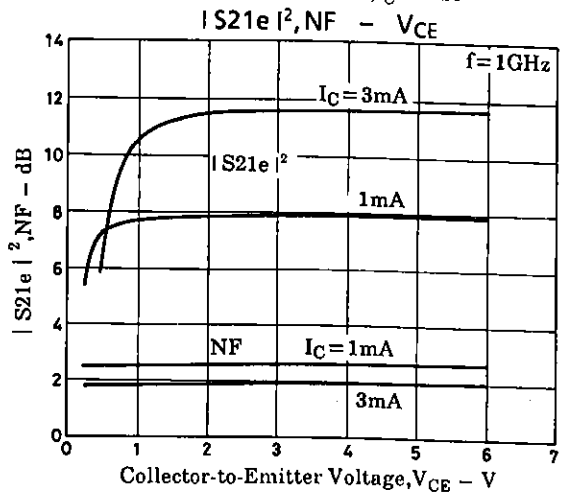
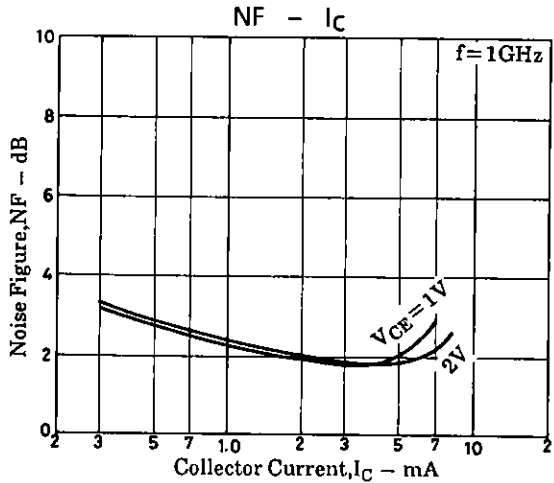
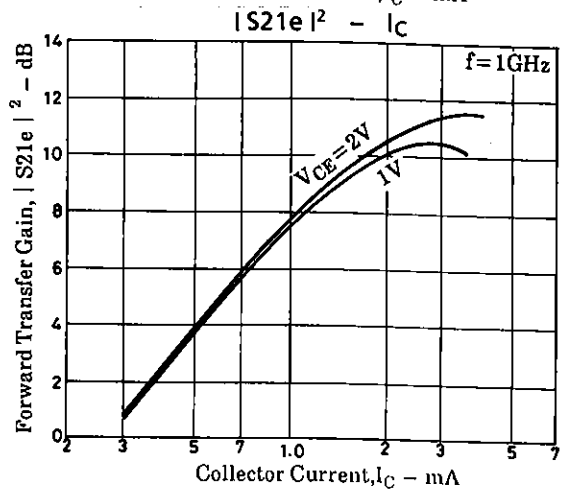
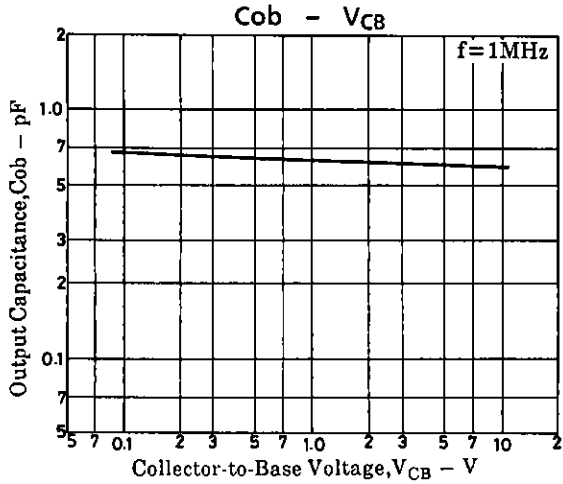
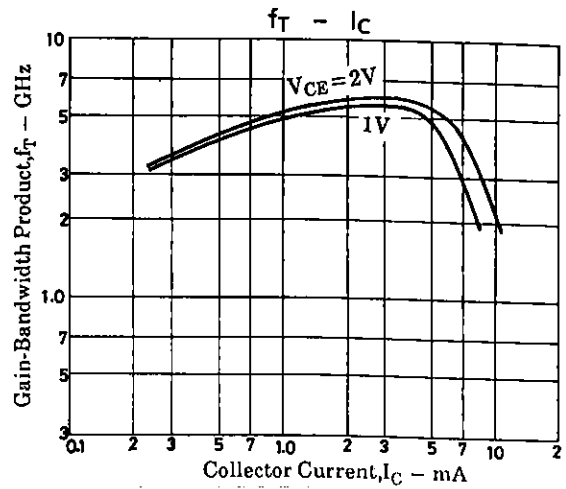
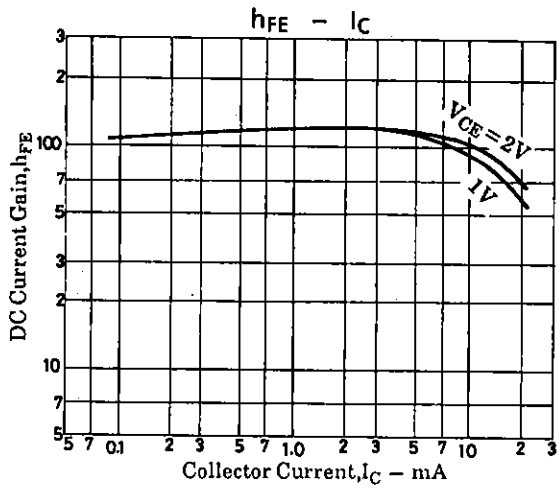
Package Dimensions 2110A

(unit : mm)



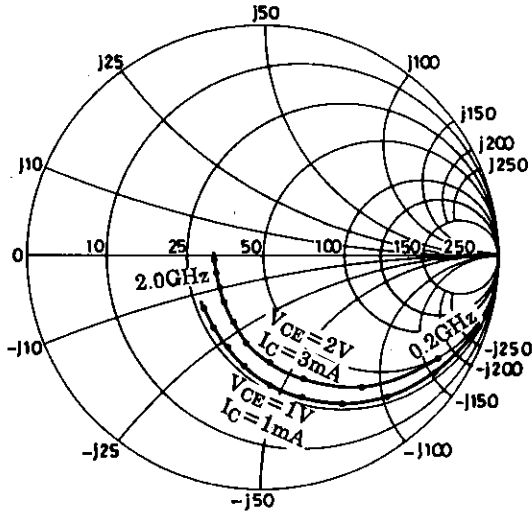
SANYO Electric Co., Ltd. Semiconductor Business Headquarters

TOKYO OFFICE Tokyo Bldg., 1-10, 1 Chome, Ueno, Taito-ku, TOKYO, 110 JAPAN

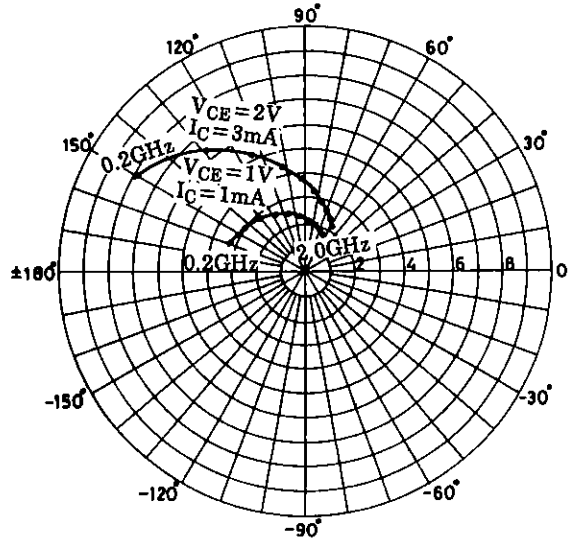


S Parameters

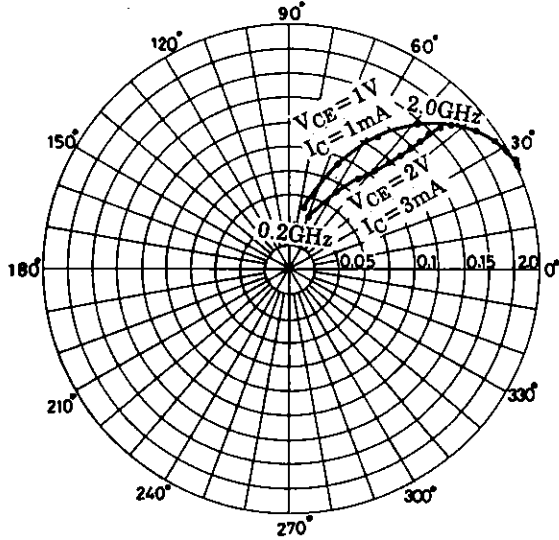
S11e
f=200~2000MHz (200MHz step)



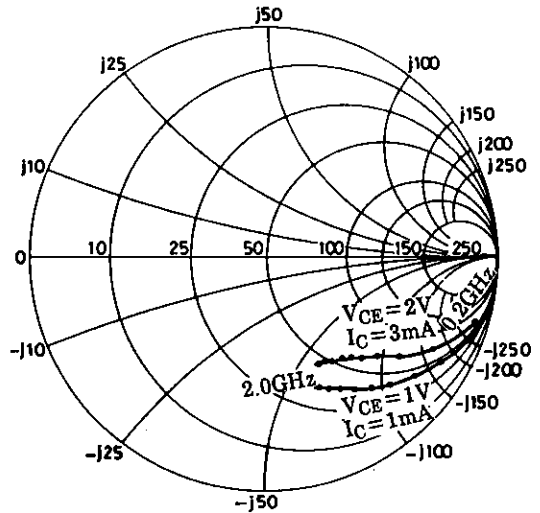
S21e
f=200~2000MHz (200MHz step)



S12e
f=200~2000MHz (200MHz step)



S22e
f=200~2000MHz (200MHz step)



S Parameters (Common emitter)

 $V_{CE}=1V, I_C=1mA, Z_0=50\Omega$

Freq (MHz)	$ S_{11} $	$\angle S_{11}$	$ S_{21} $	$\angle S_{21}$	$ S_{12} $	$\angle S_{12}$	$ S_{22} $	$\angle S_{22}$
200	0.944	-18.0	3.276	159.9	0.050	76.8	0.981	-12.0
400	0.869	-34.2	3.037	143.8	0.093	65.5	0.928	-22.2
600	0.786	-48.9	2.778	130.2	0.128	56.5	0.865	-31.1
800	0.706	-62.0	2.550	117.6	0.155	48.8	0.808	-38.6
1000	0.619	-75.4	2.379	106.1	0.173	42.3	0.753	-45.7
1200	0.547	-87.4	2.165	95.7	0.186	36.9	0.712	-51.2
1400	0.473	-100.1	2.022	85.9	0.194	32.4	0.675	-56.1
1600	0.417	-111.7	1.840	77.4	0.198	28.9	0.639	-60.4
1800	0.371	-125.2	1.745	69.9	0.202	26.4	0.614	-64.1
2000	0.343	-139.3	1.639	62.2	0.201	25.2	0.595	-67.6

 $V_{CE}=2V, I_C=3mA, Z_0=50\Omega$

Freq (MHz)	$ S_{11} $	$\angle S_{11}$	$ S_{21} $	$\angle S_{21}$	$ S_{12} $	$\angle S_{12}$	$ S_{22} $	$\angle S_{22}$
200	0.844	-30.5	7.785	149.6	0.043	71.0	0.933	-17.4
400	0.688	-53.7	6.308	129.2	0.072	59.3	0.808	-28.8
600	0.545	-72.1	5.182	113.8	0.091	52.6	0.705	-36.3
800	0.451	-86.7	4.315	102.3	0.104	49.2	0.632	-41.6
1000	0.374	-102.0	3.713	92.2	0.117	47.0	0.590	-46.0
1200	0.308	-115.4	3.225	83.5	0.127	45.9	0.564	-49.5
1400	0.260	-130.6	2.823	75.5	0.137	45.0	0.541	-53.1
1600	0.230	-145.2	2.515	68.8	0.146	44.5	0.525	-56.8
1800	0.215	-160.5	2.296	63.0	0.155	44.2	0.510	-60.3
2000	0.213	-177.0	2.143	56.9	0.166	43.8	0.506	-63.4

- No products described or contained herein are intended for use in surgical implants, life-support systems, aerospace equipment, nuclear power control systems, vehicles, disaster/crime-prevention equipment and the like, the failure of which may directly or indirectly cause injury, death or property loss.
- Anyone purchasing any products described or contained herein for an above-mentioned use shall:
 - ① Accept full responsibility and indemnify and defend SANYO ELECTRIC CO., LTD., its affiliates, subsidiaries and distributors and all their officers and employees, jointly and severally, against any and all claims and litigation and all damages, cost and expenses associated with such use;
 - ② Not impose any responsibility for any fault or negligence which may be cited in any such claim or litigation on SANYO ELECTRIC CO., LTD., its affiliates, subsidiaries and distributors or any of their officers and employees jointly or severally.
- Information (including circuit diagrams and circuit parameters) herein is for example only; it is not guaranteed for volume production. SANYO believes information herein is accurate and reliable, but no guarantees are made or implied regarding its use or any infringements of intellectual property rights or other rights of third parties.