

TOSHIBA TRANSISTOR SILICON NPN EPITAXIAL PLANAR TYPE

2SC4841

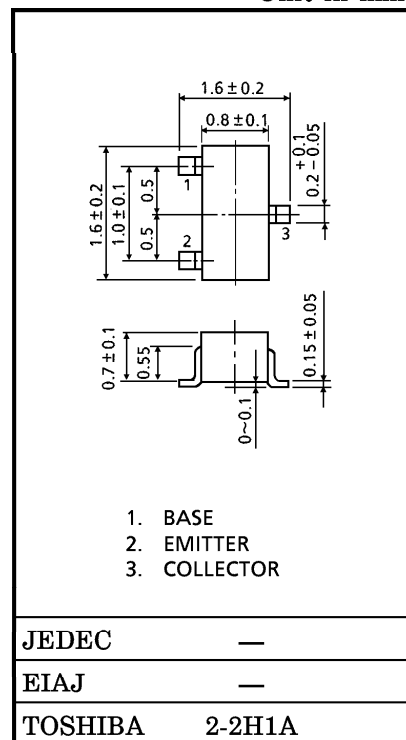
VHF~UHF BAND LOW NOISE AMPLIFIER APPLICATIONS

Unit in mm

- Low Noise Figure, High Gain.
- $NF = 1.8\text{dB}$, $|S_{21e}|^2 = 8.5\text{dB}$ ($f = 2\text{GHz}$)

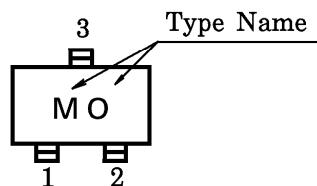
MAXIMUM RATINGS ($T_a = 25^\circ\text{C}$)

CHARACTERISTIC	SYMBOL	RATING	UNIT
Collector-Base Voltage	V_{CBO}	20	V
Collector-Emitter Voltage	V_{CEO}	10	V
Emitter-Base Voltage	V_{EBO}	1.5	V
Base Current	I_B	7	mA
Collector Current	I_C	15	mA
Collector Power Dissipation	P_C	100	mW
Junction Temperature	T_j	125	$^\circ\text{C}$
Storage Temperature Range	T_{stg}	-55~125	$^\circ\text{C}$



Weight : 2.4mg

Marking



MICROWAVE CHARACTERISTICS ($T_a = 25^\circ\text{C}$)

CHARACTERISTIC	SYMBOL	TEST CONDITION	MIN.	TYP.	MAX.	UNIT
Transition Frequency	f_T	$V_{CE} = 6\text{V}$, $I_C = 7\text{mA}$	7	10	—	GHz
Insertion Gain	$ S_{21e} ^2$ (1)	$V_{CE} = 6\text{V}$, $I_C = 7\text{mA}$, $f = 1\text{GHz}$	—	13.5	—	dB
	$ S_{21e} ^2$ (2)	$V_{CE} = 6\text{V}$, $I_C = 7\text{mA}$, $f = 2\text{GHz}$	4.5	8.5	—	
Noise Figure	NF (1)	$V_{CE} = 6\text{V}$, $I_C = 3\text{mA}$, $f = 1\text{GHz}$	—	1.4	—	dB
	NF (2)	$V_{CE} = 6\text{V}$, $I_C = 3\text{mA}$, $f = 2\text{GHz}$	—	1.8	3.0	

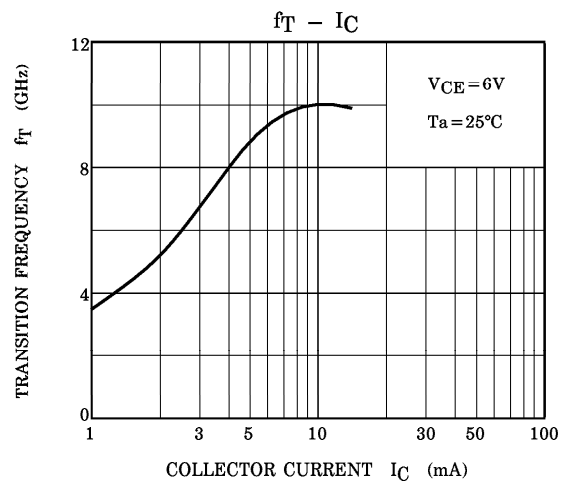
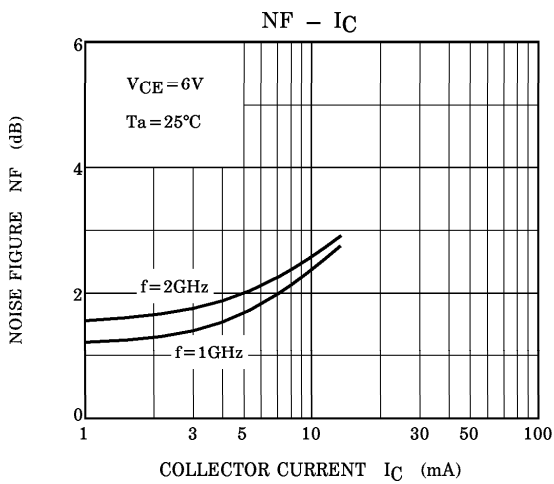
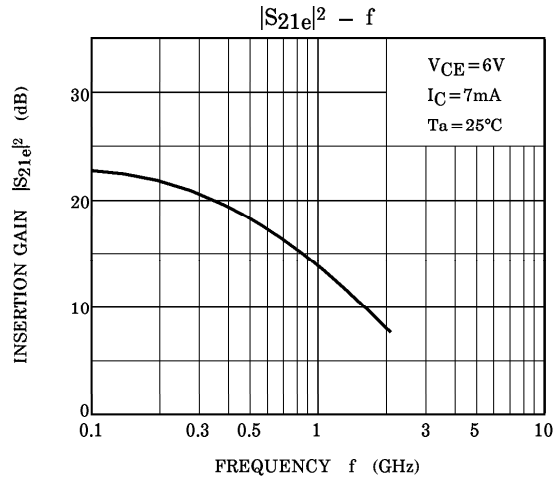
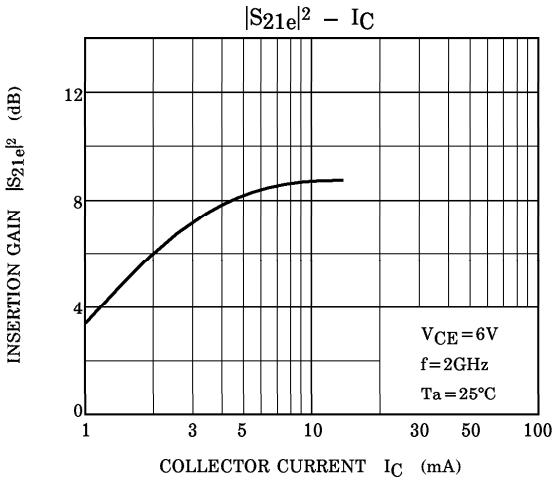
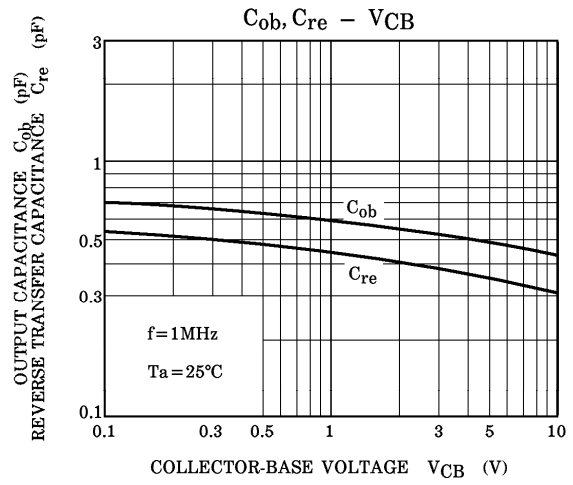
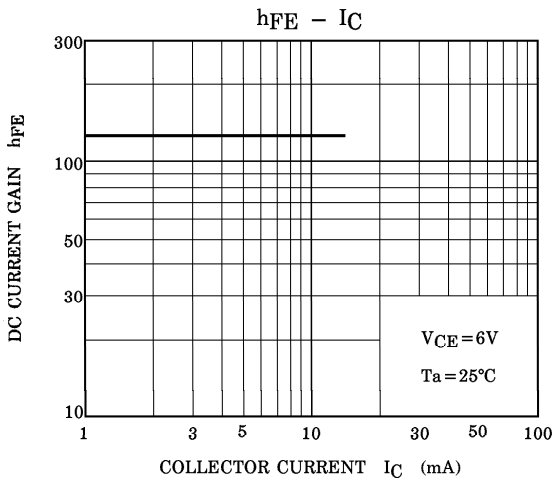
ELECTRICAL CHARACTERISTICS ($T_a = 25^\circ\text{C}$)

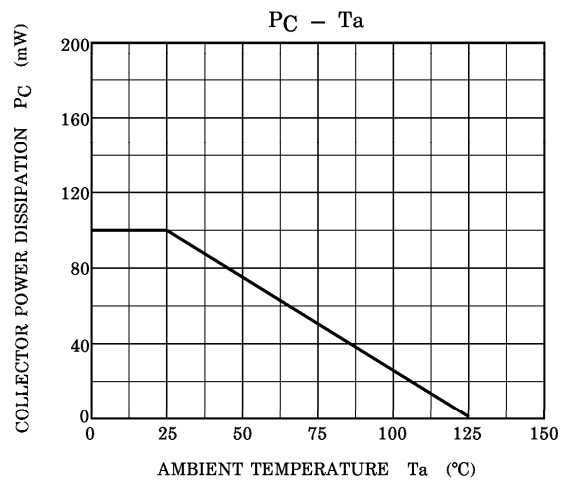
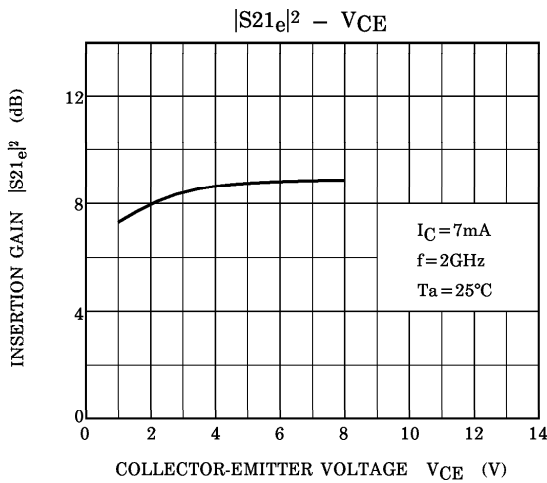
CHARACTERISTIC	SYMBOL	TEST CONDITION	MIN.	TYP.	MAX.	UNIT
Collector Cut-off Current	I_{CBO}	$V_{CB} = 10\text{V}$, $I_E = 0$	—	—	1	μA
Emitter Cut-off Current	I_{EBO}	$V_{EB} = 1\text{V}$, $I_C = 0$	—	—	1	μA
DC Current Gain	h_{FE}	$V_{CE} = 6\text{V}$, $I_C = 7\text{mA}$	50	—	250	—
Output Capacitance	C_{ob}	$V_{CB} = 10\text{V}$, $I_E = 0$, $f = 1\text{MHz}$	—	0.45	—	pF
Reverse Transfer Capacitance	C_{re}	(Note)	—	0.35	0.8	pF

(Note) C_{re} is measured by 3 terminal method with capacitance bridge.

961001EAA2

- TOSHIBA is continually working to improve the quality and the reliability of its products. Nevertheless, semiconductor devices in general can malfunction or fail due to their inherent electrical sensitivity and vulnerability to physical stress. It is the responsibility of the buyer, when utilizing TOSHIBA products, to observe standards of safety, and to avoid situations in which a malfunction or failure of a TOSHIBA product could cause loss of human life, bodily injury or damage to property. In developing your designs, please ensure that TOSHIBA products are used within specified operating ranges as set forth in the most recent products specifications. Also, please keep in mind the precautions and conditions set forth in the TOSHIBA Semiconductor Reliability Handbook.
- The information contained herein is presented only as a guide for the applications of our products. No responsibility is assumed by TOSHIBA CORPORATION for any infringements of intellectual property or other rights of the third parties which may result from its use. No license is granted by implication or otherwise under any intellectual property or other rights of TOSHIBA CORPORATION or others.
- The information contained herein is subject to change without notice.





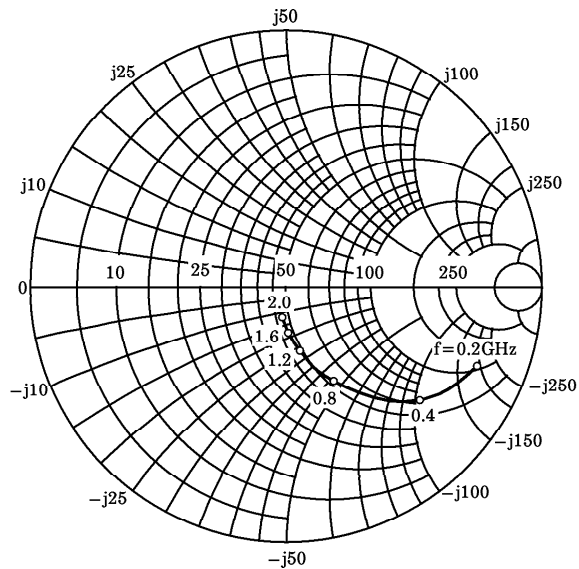
S-PARAMETER $Z_0 = 50\Omega$, $T_a = 25^\circ\text{C}$
 $V_{CE} = 6\text{V}$, $I_C = 3\text{mA}$

FREQUENCY MHz	S11		S21		S12		S22	
	MAG	ANG	MAG	ANG	MAG	ANG	MAG	ANG
200	0.823	-22.5	7.186	154.4	0.036	74.8	0.928	-14.5
400	0.685	-40.5	6.252	136.4	0.063	65.5	0.805	-23.6
600	0.537	-54.5	5.378	122.5	0.080	60.8	0.700	-28.1
800	0.428	-64.4	4.567	112.6	0.094	59.3	0.627	-30.0
1000	0.343	-71.9	3.961	104.8	0.107	59.3	0.578	-30.7
1200	0.267	-77.4	3.486	98.6	0.119	59.7	0.544	-31.1
1400	0.227	-83.4	3.104	93.3	0.131	60.2	0.518	-31.8
1600	0.187	-86.9	2.793	88.9	0.141	60.6	0.497	-32.2
1800	0.157	-90.6	2.534	85.1	0.153	62.3	0.481	-32.7
2000	0.130	-94.1	2.336	81.2	0.167	62.7	0.466	-33.2

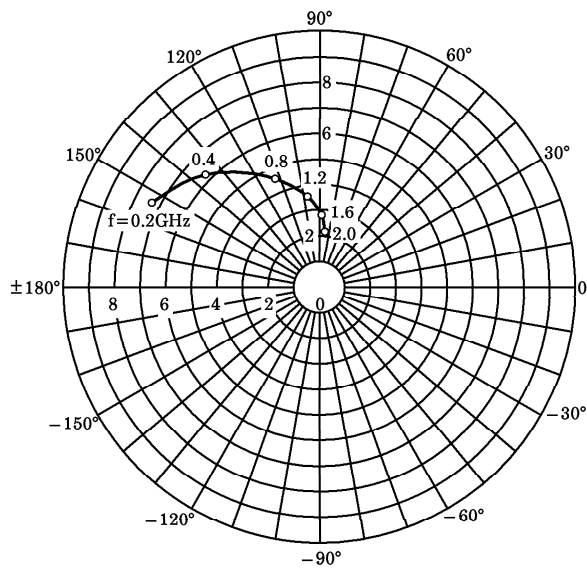
$V_{CE} = 6\text{V}$, $I_C = 7\text{mA}$

FREQUENCY MHz	S11		S21		S12		S22	
	MAG	ANG	MAG	ANG	MAG	ANG	MAG	ANG
200	0.653	-34.3	12.924	144.3	0.032	71.8	0.840	-20.9
400	0.447	-57.1	9.858	122.7	0.051	66.3	0.657	-28.3
600	0.304	-70.0	7.513	109.8	0.066	66.0	0.552	-28.9
800	0.220	-77.9	5.971	101.8	0.081	67.2	0.500	-27.9
1000	0.164	-83.4	4.955	95.6	0.096	68.5	0.470	-26.9
1200	0.123	-87.1	4.225	91.0	0.112	69.1	0.454	-26.3
1400	0.094	-93.7	3.721	86.8	0.127	69.2	0.441	-26.4
1600	0.070	-97.1	3.302	83.3	0.142	69.1	0.430	-26.8
1800	0.054	-102.8	2.974	80.2	0.156	70.1	0.423	-27.0
2000	0.039	-115.8	2.732	76.9	0.174	69.5	0.414	-27.7

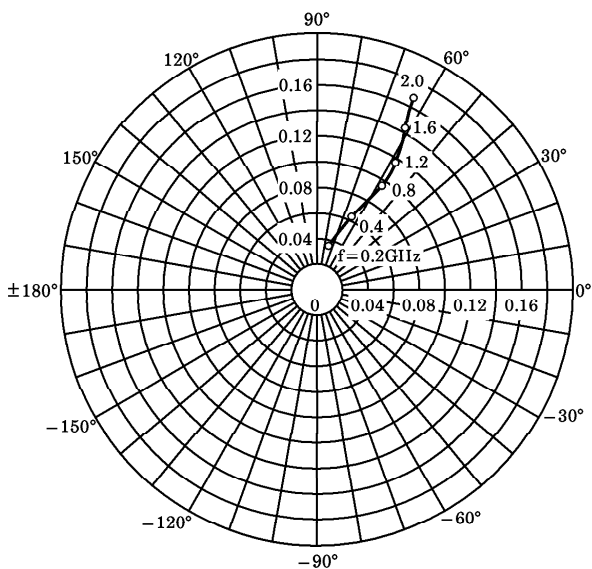
S_{11e}
 $V_{CE} = 6V$
 $I_C = 3mA$
 $T_a = 25^\circ C$
 (UNIT : Ω)



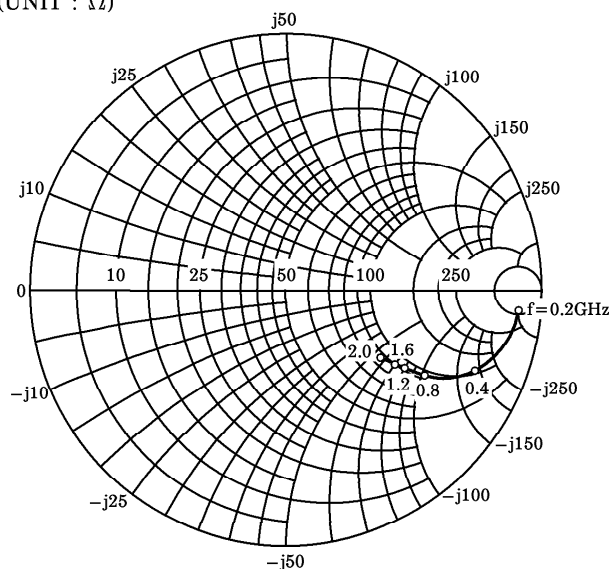
S_{21e}
 $V_{CE} = 6V$
 $I_C = 3mA$
 $T_a = 25^\circ C$



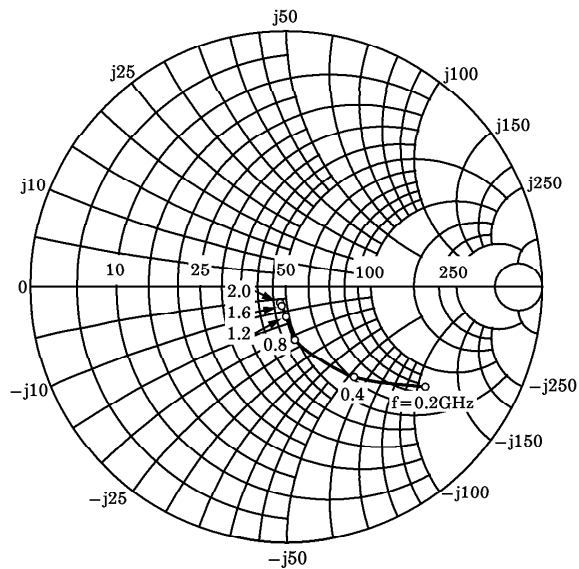
S_{12e}
 $V_{CE} = 6V$
 $I_C = 3mA$
 $T_a = 25^\circ C$



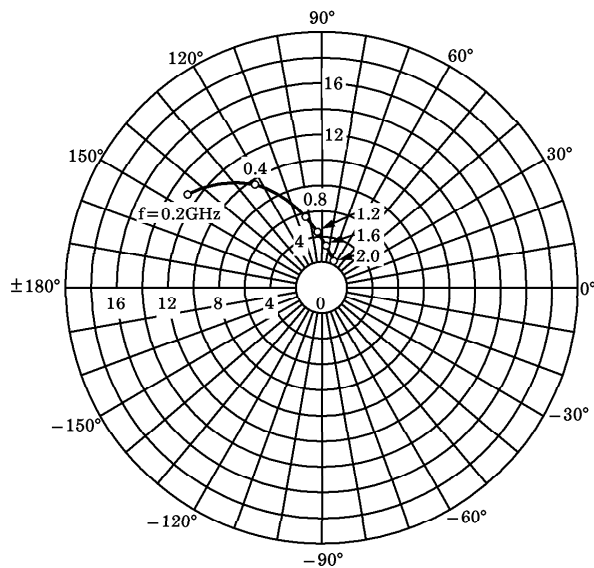
S_{22e}
 $V_{CE} = 6V$
 $I_C = 3mA$
 $T_a = 25^\circ C$
 (UNIT : Ω)



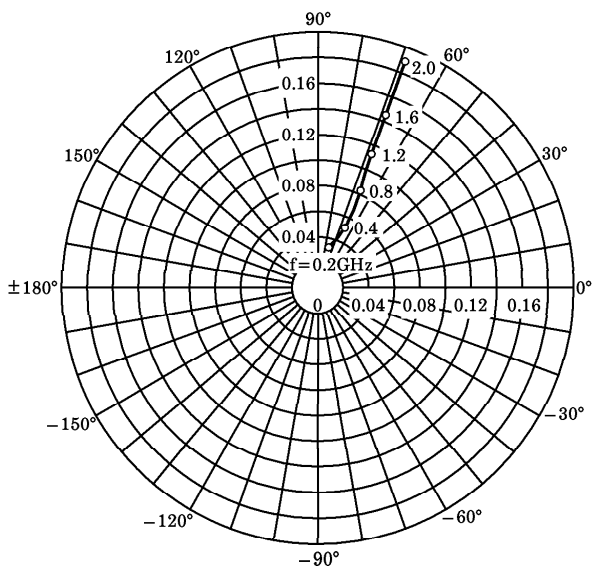
S_{11e}
 $V_{CE}=6V$
 $I_C=7mA$
 $T_a=25^\circ C$
 (UNIT : Ω)



S_{21e}
 $V_{CE}=6V$
 $I_C=7mA$
 $T_a=25^\circ C$



S_{12e}
 $V_{CE}=6V$
 $I_C=7mA$
 $T_a=25^\circ C$



S_{22e}
 $V_{CE}=6V$
 $I_C=7mA$
 $T_a=25^\circ C$
 (UNIT : Ω)

