



## 2SA985

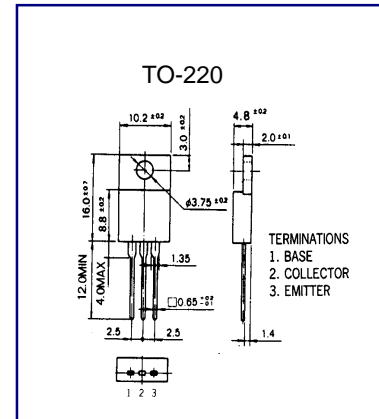
## PNP EPITAXIAL SILICON TRANSISTOR

### LOW FREQUENCY POWER AMPLIFIER

- Complement to 2SC2275

### ABSOLUTE MAXIMUM RATINGS ( $T_A=25^\circ\text{C}$ )

Characteristic	Symbol	Rating	Unit
Collector-Base Voltage	$V_{CB0}$	-120	V
Collector-Emitter Voltage	$V_{CEO}$	-120	V
Emitter-Base voltage	$V_{EB0}$	-7	V
Collector Current (DC)	$I_C$	-1.5	A
Collector Dissipation ( $T_c=25^\circ\text{C}$ )	$P_C$	25	W
Junction Temperature	$T_j$	150	$^\circ\text{C}$
Storage Temperature	$T_{stg}$	-50~150	$^\circ\text{C}$



### ELECTRICAL CHARACTERISTICS ( $T_A=25^\circ\text{C}$ )

Characteristic	Symbol	Test Condition	Min	Typ	Max	Unit
Collector Cutoff Current	$I_{CBO}$	$V_{CB} = -120\text{V}, I_E = 0$			100	$\mu\text{A}$
Emitter Cutoff Current	$I_{EBO}$	$V_{EB} = -7\text{V}, I_C = 0$			100	$\mu\text{A}$
DC Current Gain	$h_{FE1}$	$V_{CE} = -5\text{V}, I_C = -0.3\text{A}$		150		
Collector- Emitter Saturation Voltage	$V_{CE(sat)}$	$I_C = -2\text{A}, I_B = -0.2\text{A}$			-1.5	V
Current Gain Bandwidth Product	$f_T$	$V_{CE} = -5\text{V}, I_C = -0.5\text{A}$		180		MHZ