



## 2SA1105

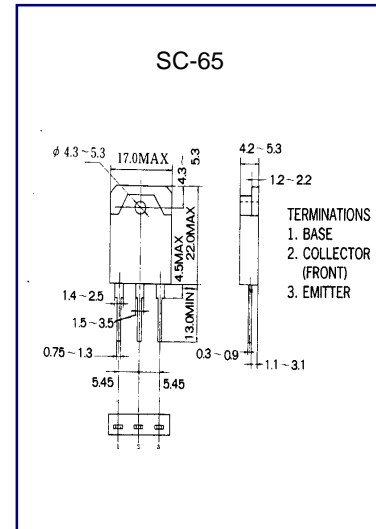
## PNP PLANAR SILICON TRANSISTOR

### AUDIO POWER AMPLIFIER DC TO DC CONVERTER

- High Current Capability
- High Power Dissipation
- Complementary to 2SC2577

### ABSOLUTE MAXIMUM RATING ( $T_A=25^\circ\text{C}$ )

| Characteristic            | Symbol           | Rating  | Unit |
|---------------------------|------------------|---------|------|
| Collector-Base Voltage    | VCBO             | -160    | V    |
| Collector-Emitter Voltage | VCEO             | -120    | V    |
| Emitter-Base voltage      | VEBO             | -6      | V    |
| Collector Current (DC)    | IC               | -9      | A    |
| Collector Dissipation     | Pc               | 90      | W    |
| Junction Temperature      | T <sub>j</sub>   | 150     | °C   |
| Storage Temperature       | T <sub>stg</sub> | -55~150 | °C   |



### ELECTRICAL CHARACTERISTICS ( $T_A=25^\circ\text{C}$ )

| Characteristic                        | Symbol   | Test Condition          | Min  | Typ | Max  | Unit |
|---------------------------------------|----------|-------------------------|------|-----|------|------|
| Collector Base Breakdown Voltage      | BVCBO    | IC=-5 mA IE=0           | -160 |     |      | V    |
| Collector Emitter Breakdown Voltage   | BVCEO    | IC=-10 mA RBE= $\infty$ | -120 |     |      | V    |
| Emitter Base Breakdown Voltage        | BVEBO    | IE=-5mA IC=0            | -6   |     |      | V    |
| Collector Cutoff Current              | ICBO     | VCB=-60V IE=0           |      |     | -0.1 | mA   |
| Emitter Cutoff Current                | IEBO     | VEB=-4V IC=0            |      |     | -0.1 | mA   |
| *DC Current Gain                      | hFE1     | VCE=-5V IC=-1A          | 55   |     | 160  |      |
| DC Current Gain                       | hFE2     | VCE=-5V IC=-3A          | 50   |     |      |      |
| Collector- Emitter Saturation Voltage | VCE(sat) | IC=-3A IB=-0.3A         |      |     | -1.5 | V    |