

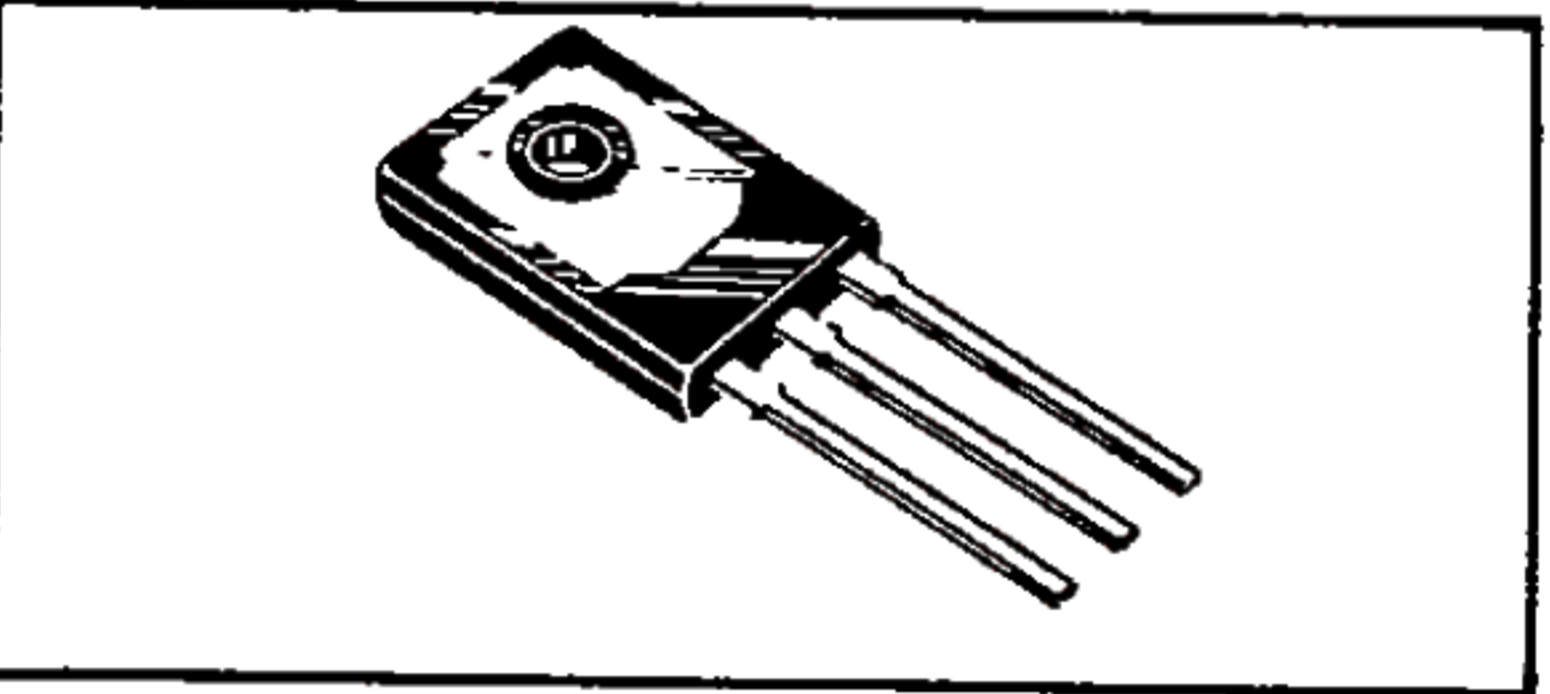
MOTOROLA
SEMICONDUCTOR
TECHNICAL DATA

PNP
2N5986, 2N5987
2N5988
NPN
2N5989, 2N5991

HIGH POWER PLASTIC
COMPLEMENTARY SILICON POWER TRANSISTORS
... designed for use in general-purpose amplifier and switching circuits.

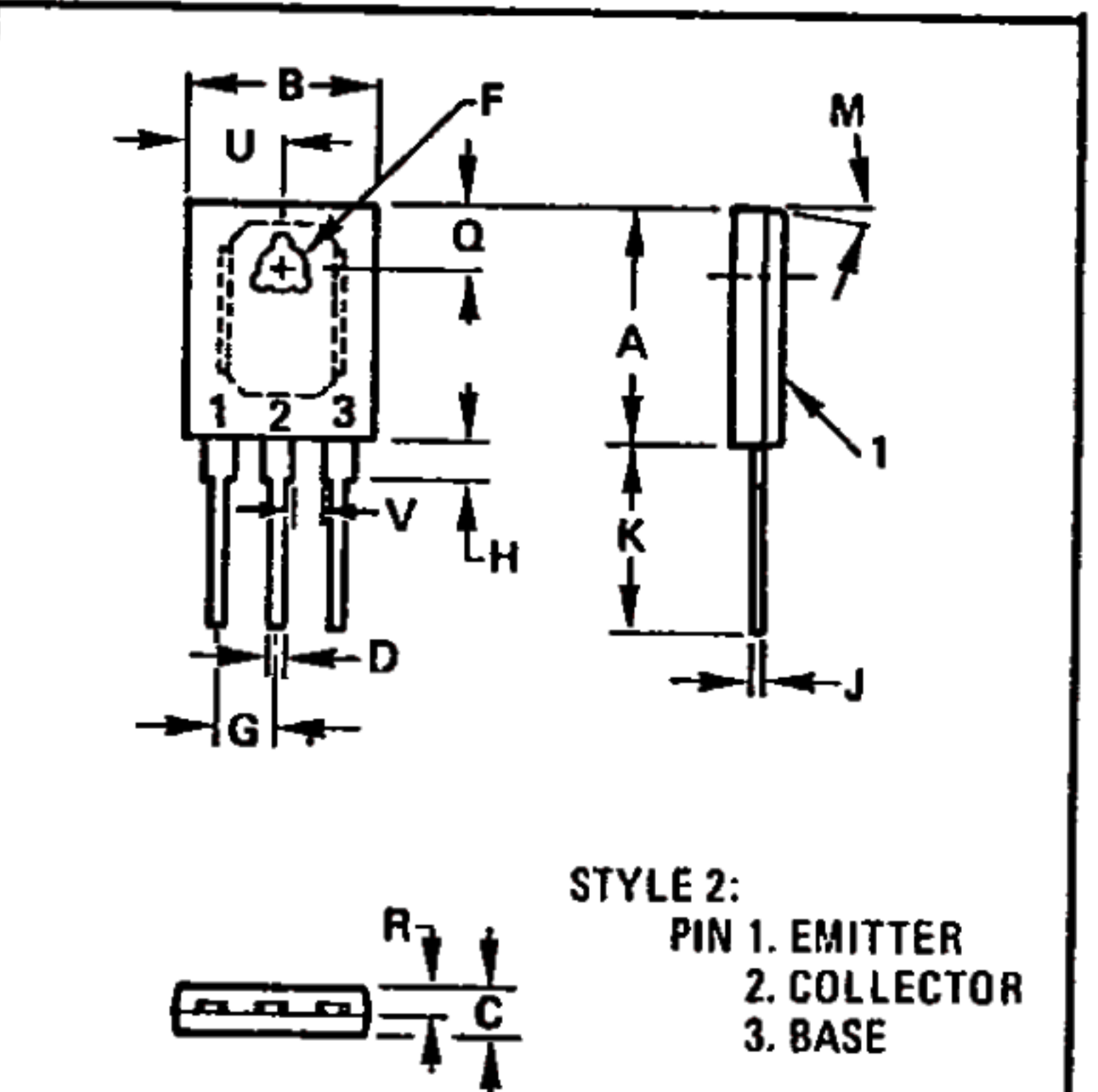
- Collector-Base Voltage – V_{CB0} = 60 Vdc – 2N5986, 2N5989
= 80 Vdc – 2N5987
= 100 Vdc – 2N5988, 2N5991
- Collector-Emitter Voltage – V_{CEO} = 40 Vdc – 2N5986, 2N5989
= 60 Vdc – 2N5987
= 80 Vdc – 2N5988, 2N5991
- DC Current Gain –
 h_{FE} = 20-120 @ I_C = 6.0 Adc
= 7.0 (Min) @ I_C = 12 Adc
- Collector-Emitter Saturation Voltage –
 $V_{CE(sat)}$ = 0.7 Vdc (Max) @ I_C = 6.0 Adc

12 AMPERE
POWER TRANSISTORS
COMPLEMENTARY SILICON
40, 60, 80 VOLTS
100 WATTS



***MAXIMUM RATINGS**

Rating	Symbol	2N5986 2N5989	2N5987	2N5988 2N5991	Unit
Collector-Base Voltage	V_{CB}	60	80	100	Vdc
Collector-Emitter Voltage	V_{CEO}	40	60	80	Vdc
Emitter-Base Voltage	V_{EB}	5.0			Vdc
Collector Current – Continuous Peak	I_C	12			Adc
		20			
Base Current	I_B	4.0			Adc
Total Power Dissipation @ $T_C = 25^\circ\text{C}$ Derate above 25°C	P_D	100			Watts
		0.8			W/ $^\circ\text{C}$
Operating and Storage Junction Temperature Range	T_J, T_{stg}	-65 to +150			$^\circ\text{C}$



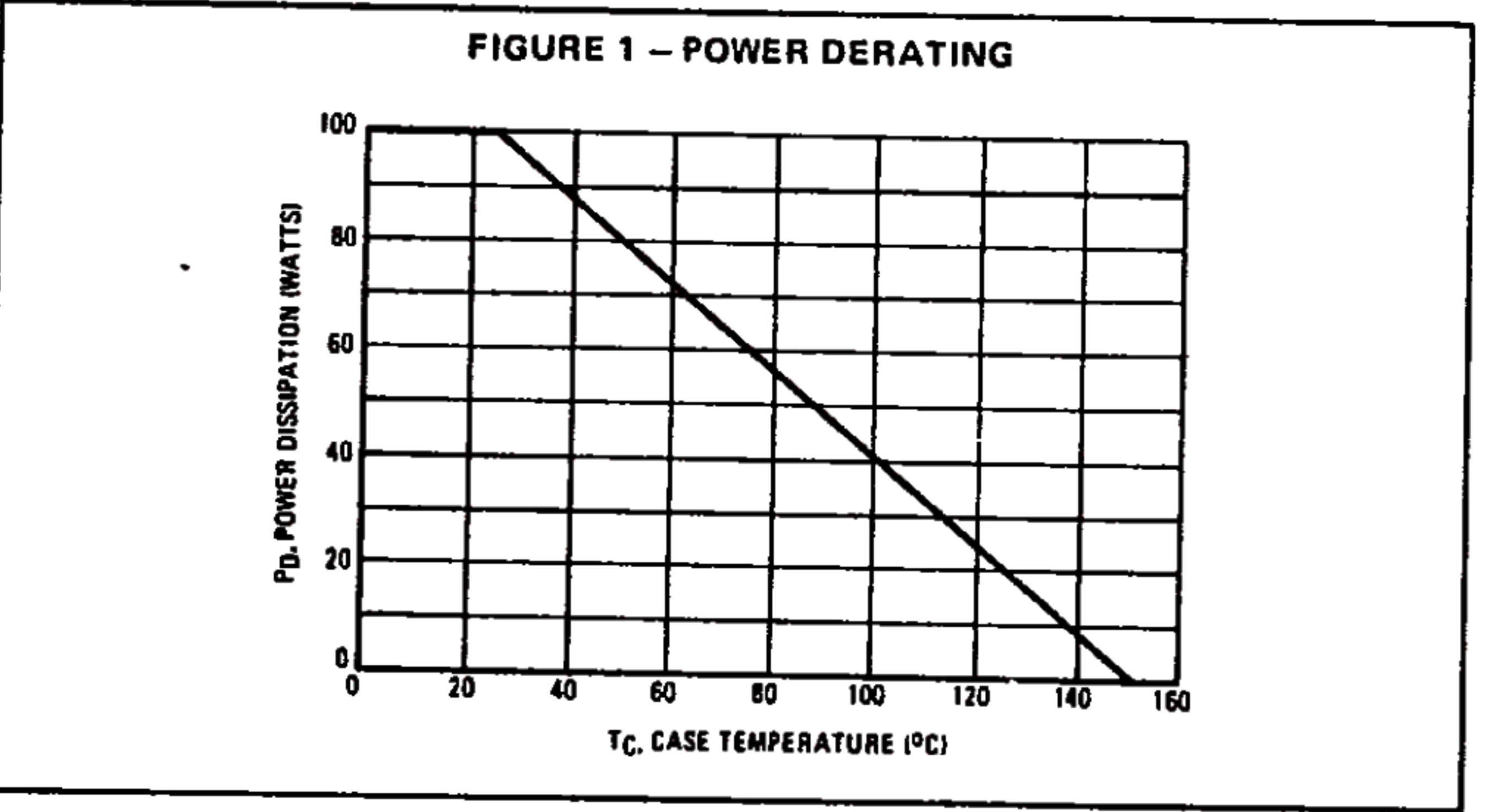
- NOTES:
1. DIM "D" UNCONTROLLED IN ZONE "H"
2. DIM "F" DIA THRU
3. HEAT SINK CONTACT AREA (BOTTOM)
4. LEADS WITHIN 0.005" RAD OF TRUE POSITION (TP) AT MAXIMUM MATERIAL CONDITION.



THERMAL CHARACTERISTICS

Characteristic	Symbol	Max	Unit
Thermal Resistance, Junction to Case	θ_{JC}	1.25	$^\circ\text{C/W}$

* Indicates JEDEC Registered Data



DIM	MILLIMETERS		INCHES	
	MIN	MAX	MIN	MAX
A	16.13	16.38	0.635	0.645
B	12.57	12.83	0.495	0.505
C	3.18	3.43	0.125	0.135
D	1.09	1.24	0.043	0.049
F	3.51	3.76	0.138	0.148
G	4.22 BSC		0.166 BSC	
H	2.67	2.92	0.105	0.115
J	0.813	0.864	0.032	0.034
K	15.11	16.38	0.595	0.645
M	90 TYP		90 TYP	
Q	4.70	4.95	0.185	0.195
R	1.91	2.16	0.075	0.085
U	6.22	6.48	0.245	0.255
V	2.03	—	0.080	—

CASE 90-05
TO-225AB

6367254 MOTOROLA SC (XSTRS/R F)

2N5986, 2N5987, 2N5988 PNP / 2N5989, 2N5991 NPN

*ELECTRICAL CHARACTERISTICS (T_C = 25°C unless otherwise noted)

Characteristic	Symbol	Min	Max	Unit
OFF CHARACTERISTICS				
Collector-Emitter Sustaining Voltage (I _C = 0.2 Adc, I _B = 0)	V _{CEO(sus)}	40 60 80	—	Vdc
Collector Cutoff Current (V _{CE} = 20 Vdc, I _B = 0) (V _{CE} = 30 Vdc, I _B = 0) (V _{CE} = 40 Vdc, I _B = 0)	I _{CEO}	—	2.0 2.0 2.0	mAdc
Collector Cutoff Current (V _{CE} = 60 Vdc, V _{BE(off)} = 1.5 Vdc) (V _{CE} = 80 Vdc, V _{BE(off)} = 1.5 Vdc) (V _{CE} = 100 Vdc, V _{BE(off)} = 1.5 Vdc)	I _{CEX}	—	200 200 200	μAdc
Collector Cutoff Current (V _{CE} = 40 Vdc, V _{BE(off)} = 1.5 Vdc, T _C = 125°C) (V _{CE} = 60 Vdc, V _{BE(off)} = 1.5 Vdc, T _C = 125°C) (V _{CE} = 80 Vdc, V _{BE(off)} = 1.5 Vdc, T _C = 125°C)	I _{CEX}	—	2.0 2.0 2.0	mAdc
Emitter Cutoff Current (V _{BE} = 5.0 Vdc, I _C = 0)	I _{EBO}	—	1.0	mAdc
ON CHARACTERISTICS				
DC Current Gain (I _C = 1.5 Adc, V _{CE} = 2.0 Vdc) (I _C = 6.0 Adc, V _{CE} = 2.0 Vdc) (I _C = 12 Adc, V _{CE} = 2.0 Vdc)	h _{FE}	40 20 7.0	— 120 —	—
Collector-Emitter Saturation Voltage (I _C = 6.0 Adc, I _B = 0.6 Adc) (I _C = 12 Adc, I _B = 1.8 Adc)	V _{CE(sat)}	—	0.6 1.7	Vdc
Base-Emitter Saturation Voltage (I _C = 12 Adc, I _B = 1.8 Adc)	V _{BE(sat)}	—	2.5	Vdc
Base-Emitter On Voltage (I _C = 6.0 Adc, V _{CE} = 2.0 Vdc)	V _{BE(on)}	—	1.4	Vdc
DYNAMIC CHARACTERISTICS				
Current-Gain – Bandwidth Product (I _C = 0.5 Adc, V _{CE} = 10 Vdc, f _{test} = 1.0 MHz)	f _T	2.0	—	MHz
Output Capacitance (V _{CB} = 10 Vdc, I _E = 0, f = 1.0 MHz)	C _{ob}	—	500 300	pF
Small-Signal Current Gain (I _C = 2.0 Adc, V _{CE} = 4.0 Vdc, f = 1.0 kHz)	h _{fe}	20	—	—

*Indicates JEDEC Registered Data.

(1) f_T = |h_{fe}| • f_{test}

FIGURE 2 – SWITCHING TIMES TEST CIRCUIT

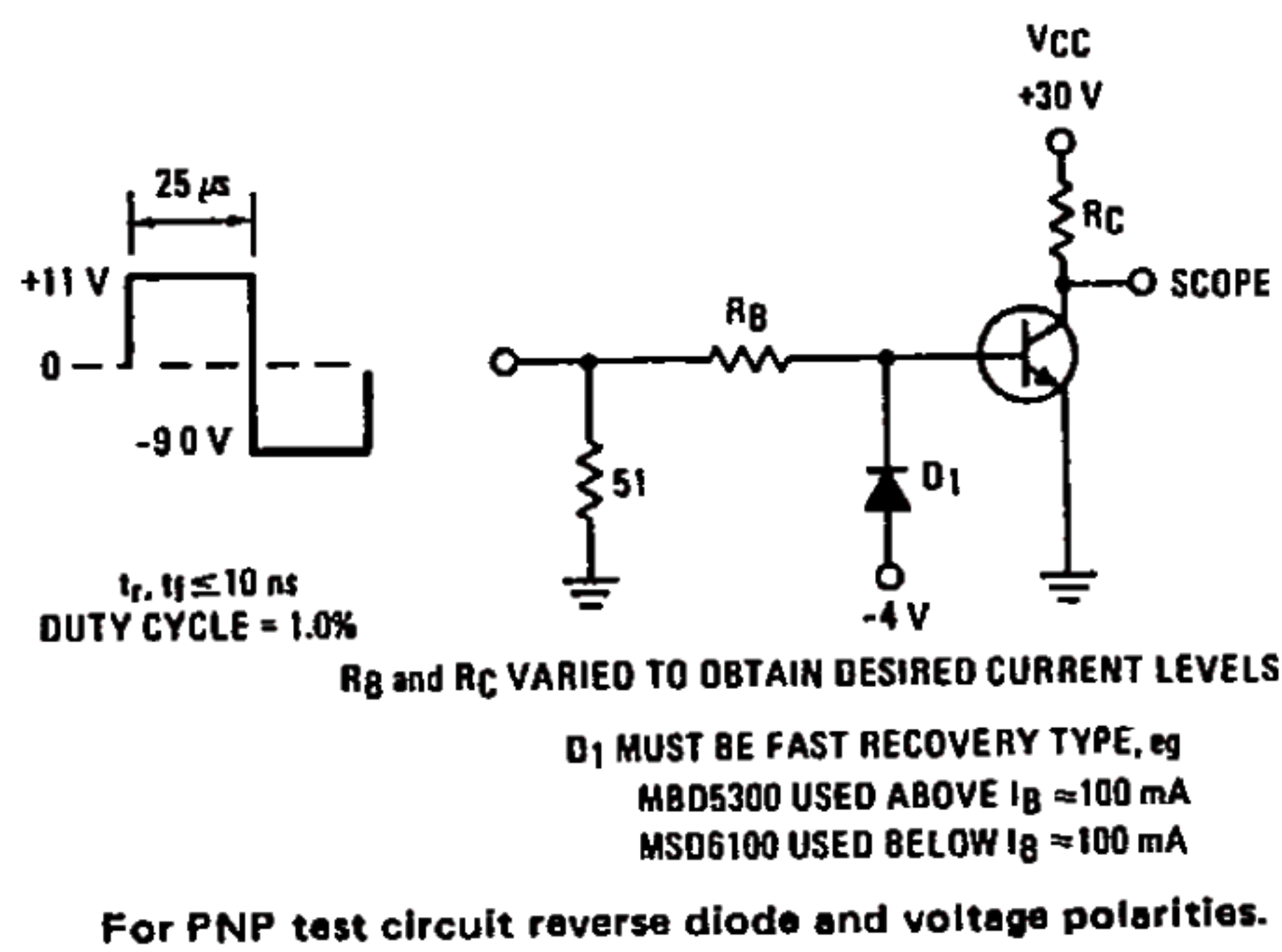
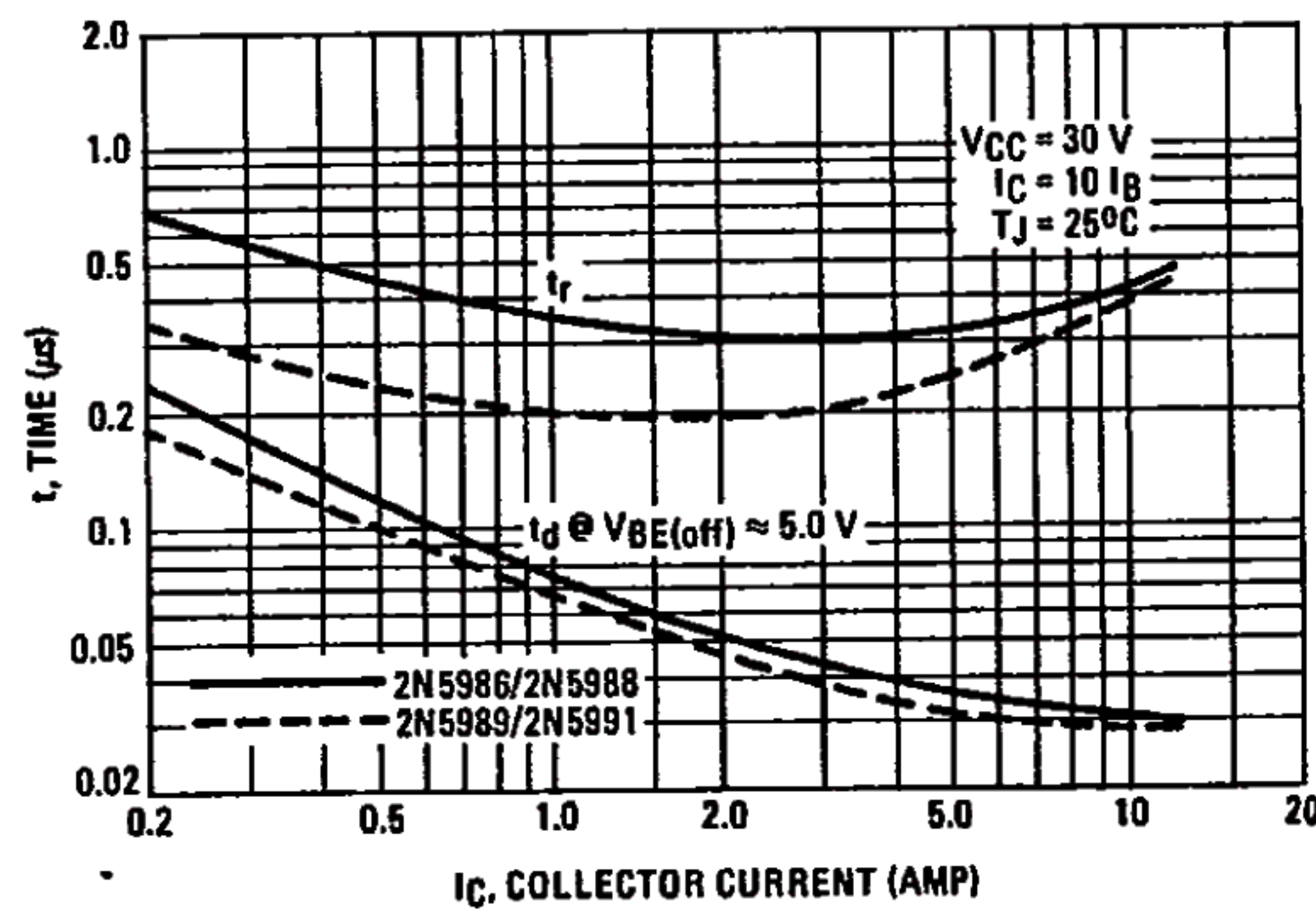


FIGURE 3 – TURN-ON TIME



6367254 MOTOROLA SC (XSTRS/R F)
 2N5986, 2N5987, 2N5988 PNP / 2N5989, 2N5991 NPN

FIGURE 4 - THERMAL RESPONSE

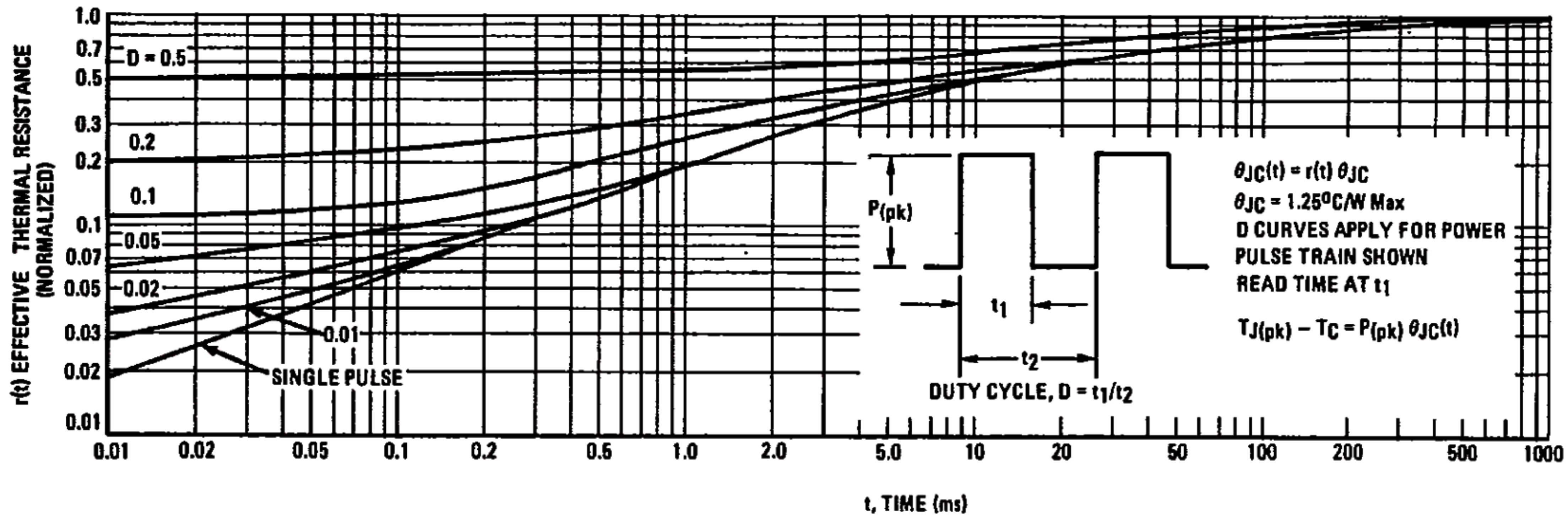
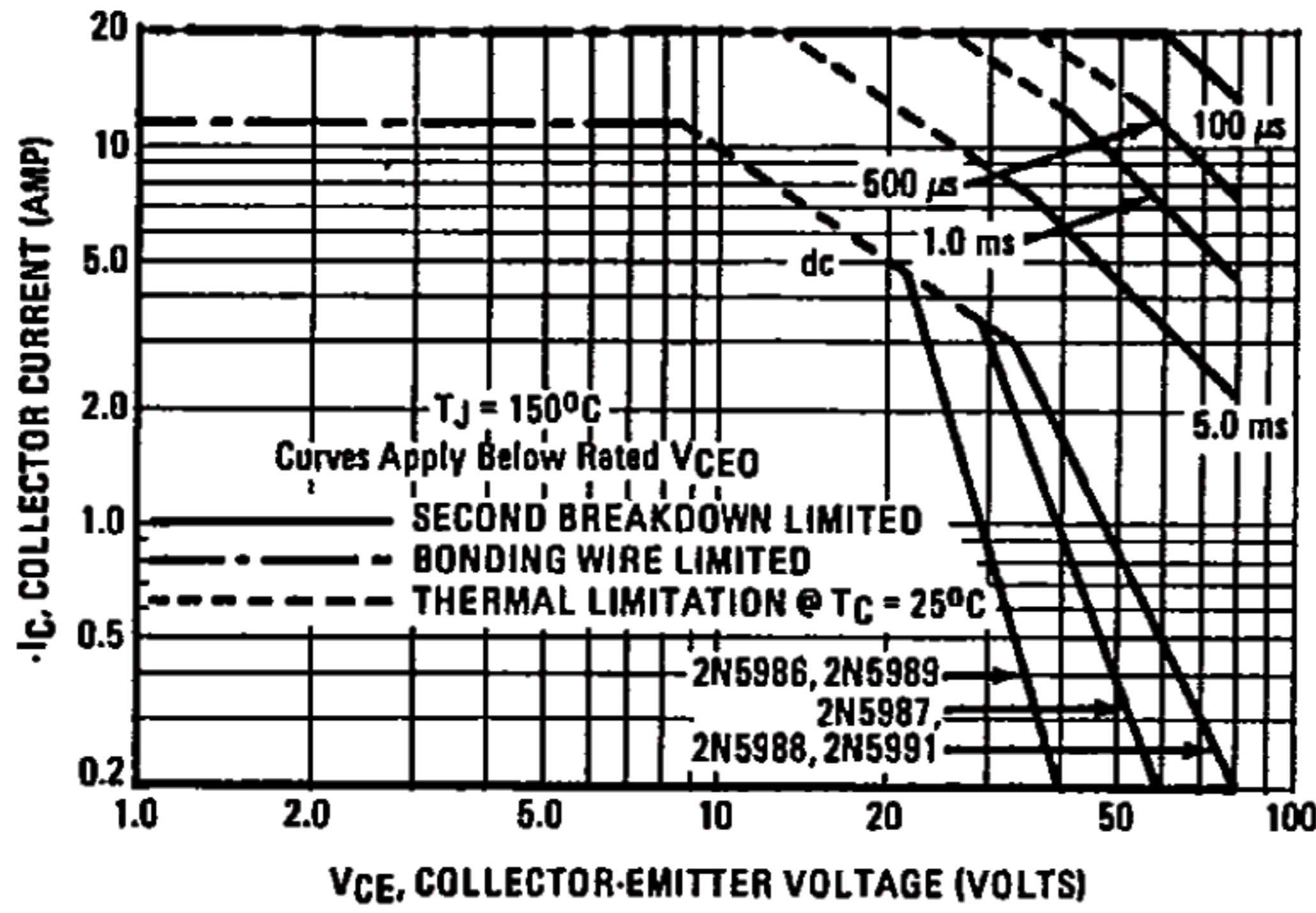


FIGURE 5 - ACTIVE-REGION SAFE OPERATING AREA



There are two limitations on the power handling ability of a transistor: average junction temperature and second breakdown. Safe operating area curves indicate $I_C - V_{CE}$ limits of the transistor that must be observed for reliable operation; i.e., the transistor must not be subjected to greater dissipation than the curves indicate.

The data of Figure 5 is based on $T_{J(pk)} = 150^\circ C$; T_C is variable depending on conditions. Second breakdown pulse limits are valid for duty cycles to 10% provided $T_{J(pk)} \leq 150^\circ C$. $T_{J(pk)}$ may be calculated from the data in Figure 4. At high case temperatures, thermal limitations will reduce the power that can be handled to values less than the limitations imposed by second breakdown.

FIGURE 6 - TURN-OFF TIME

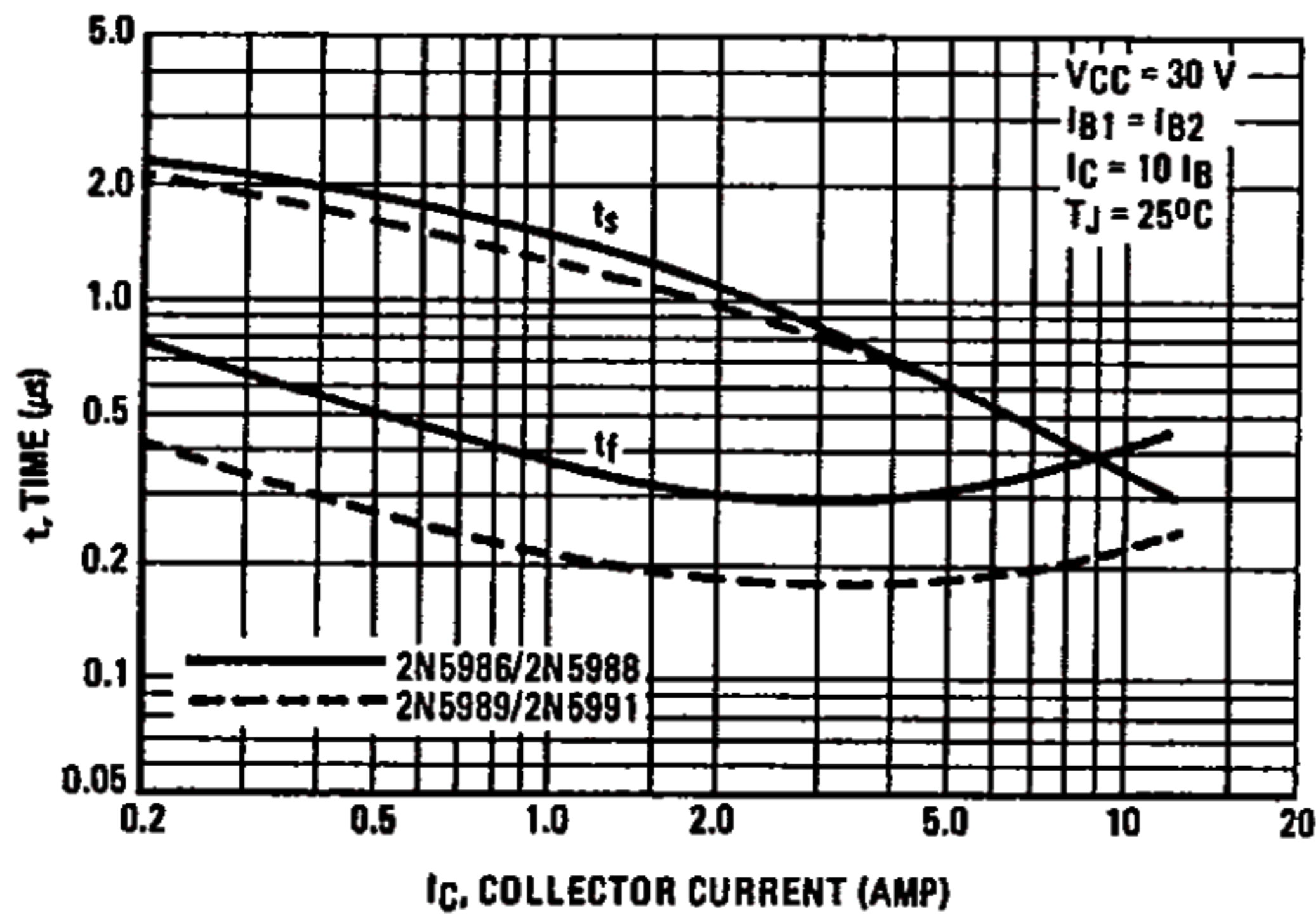
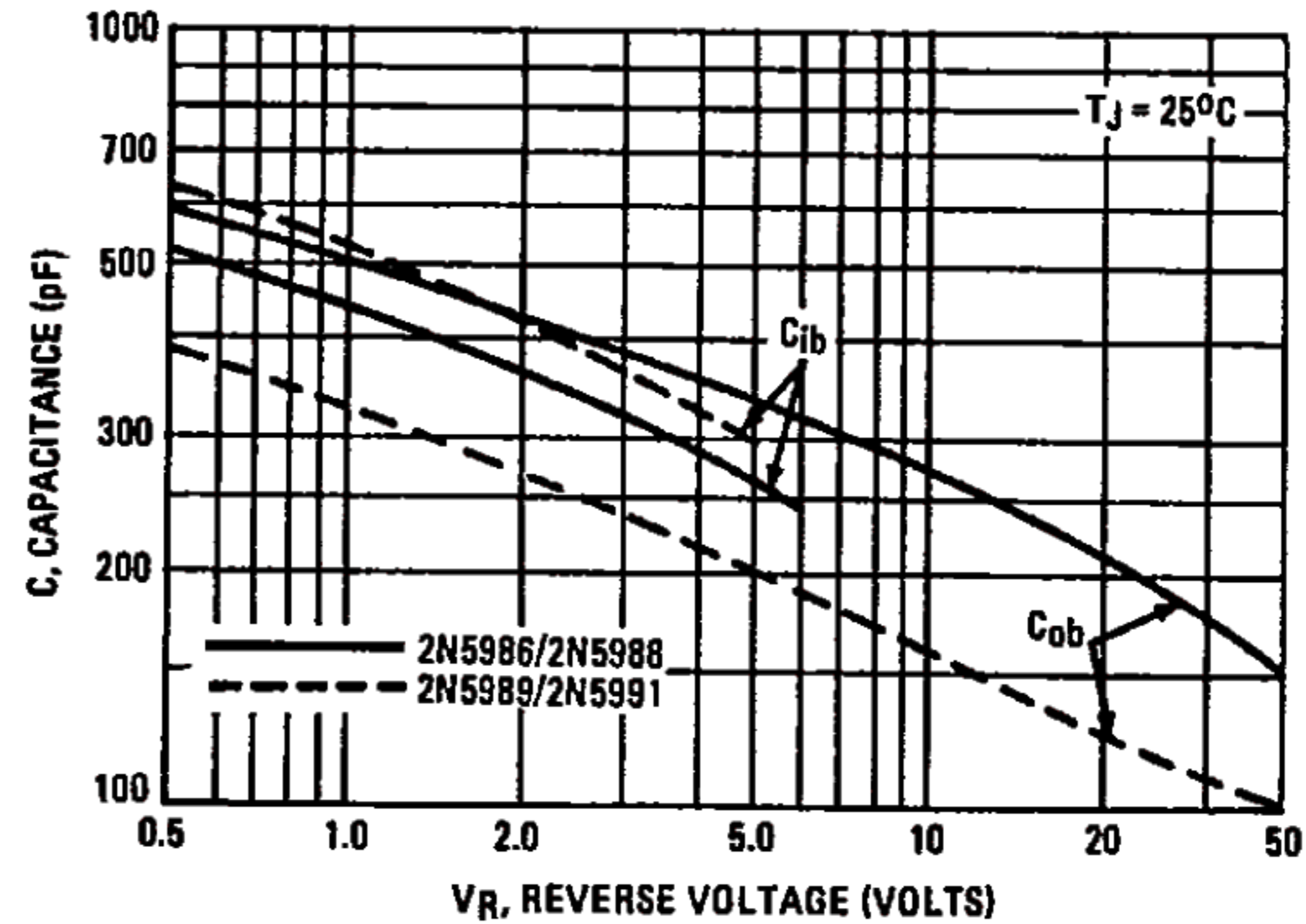


FIGURE 7 - CAPACITANCE



6367254 MOTOROLA - SC (XSTRS/R F)
 2N5986, 2N5987, 2N5988 PNP / 2N5989, 2N5991 NPN

PNP
 2N5986 thru 2N5988

NPN
 2N5989, 2N5991

FIGURE 8 - DC CURRENT GAIN

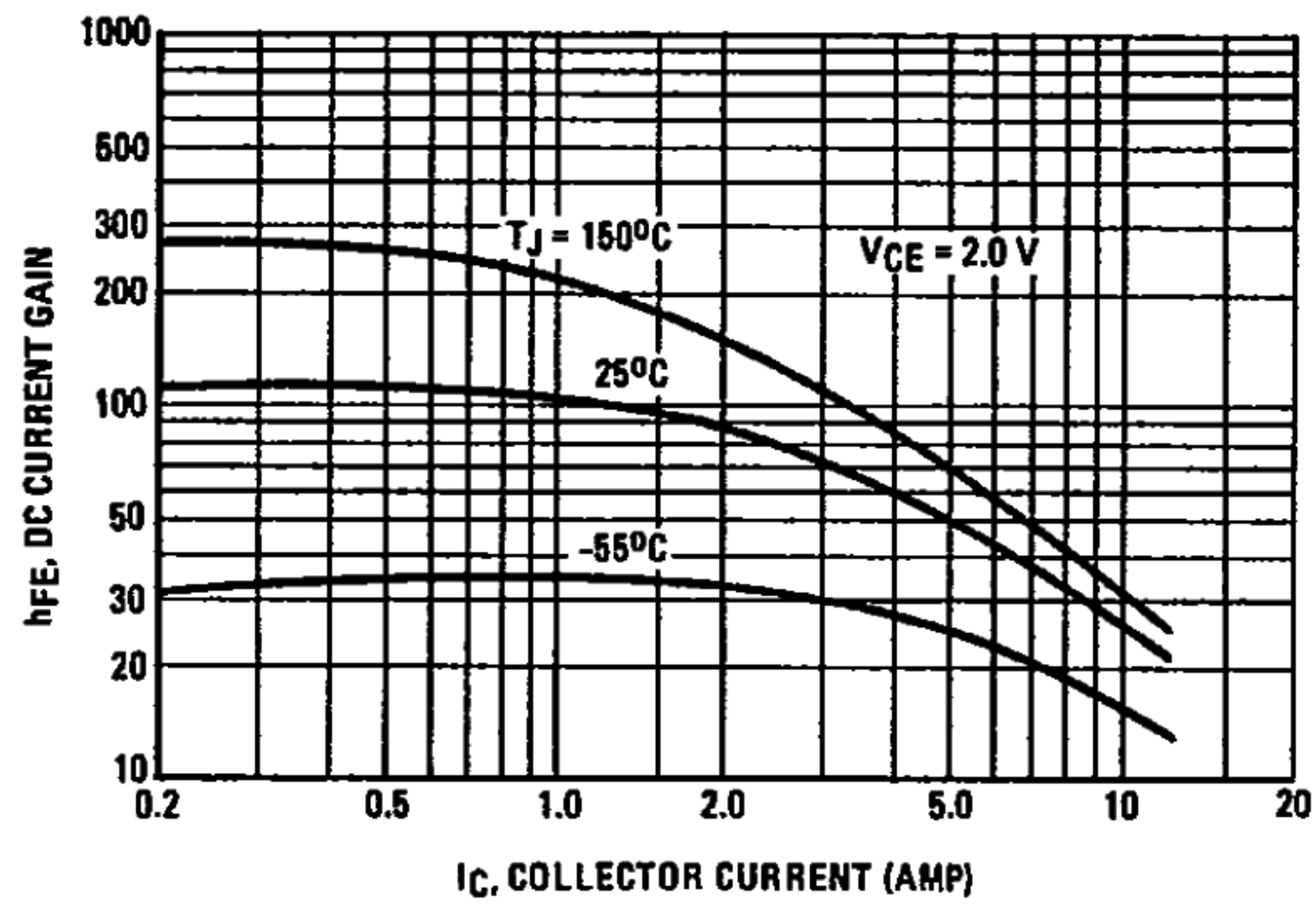
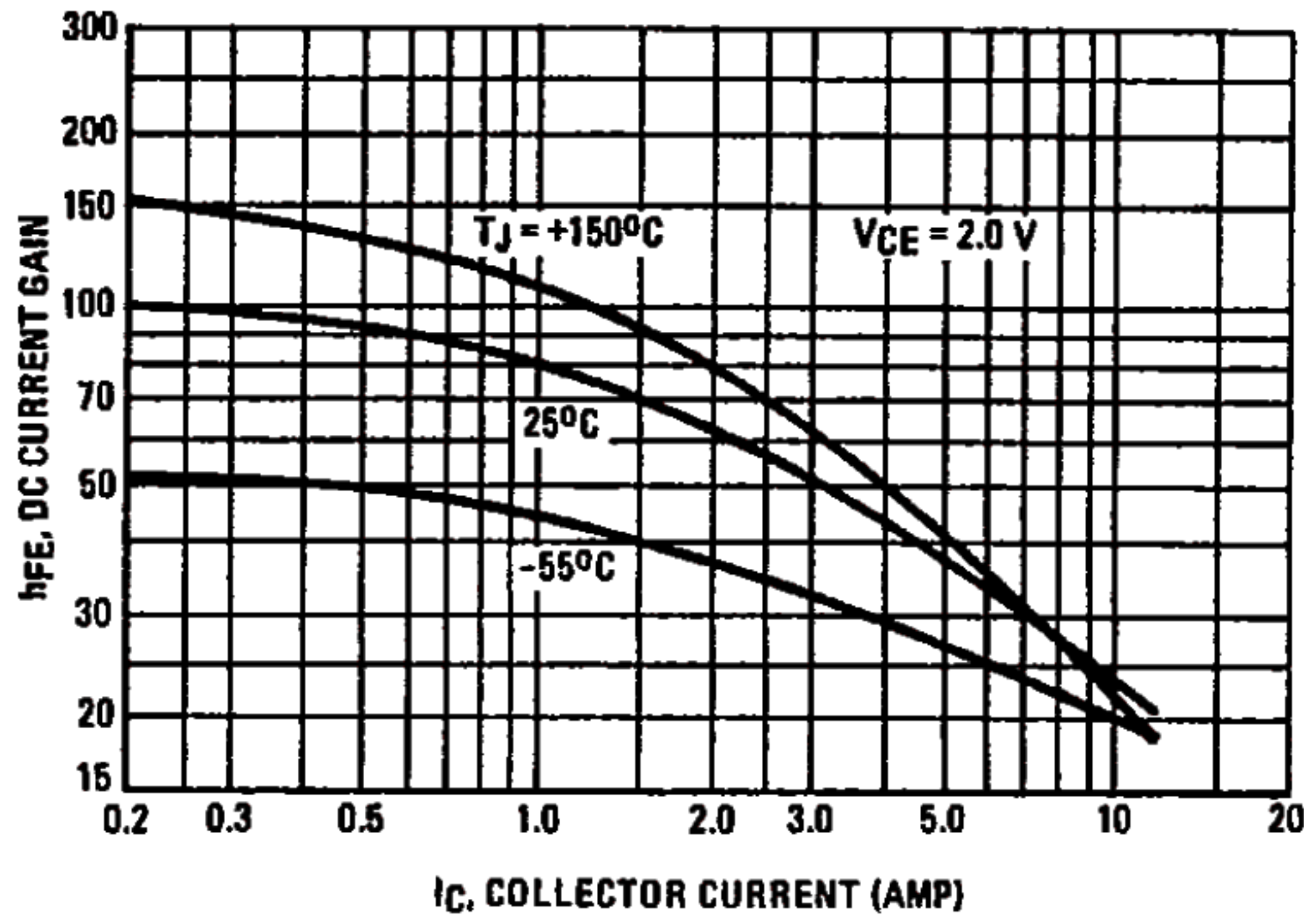


FIGURE 9 - COLLECTOR SATURATION REGION

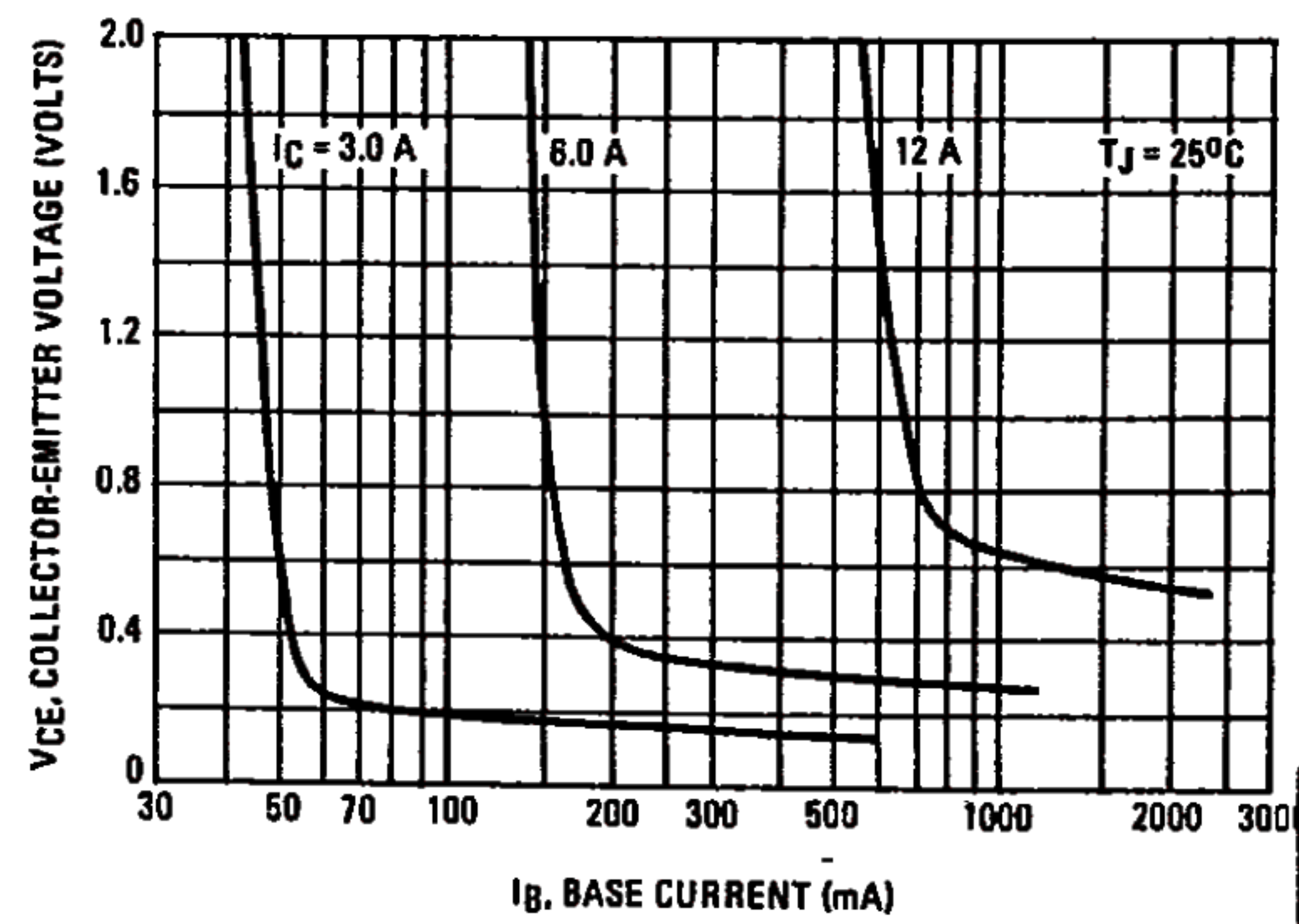
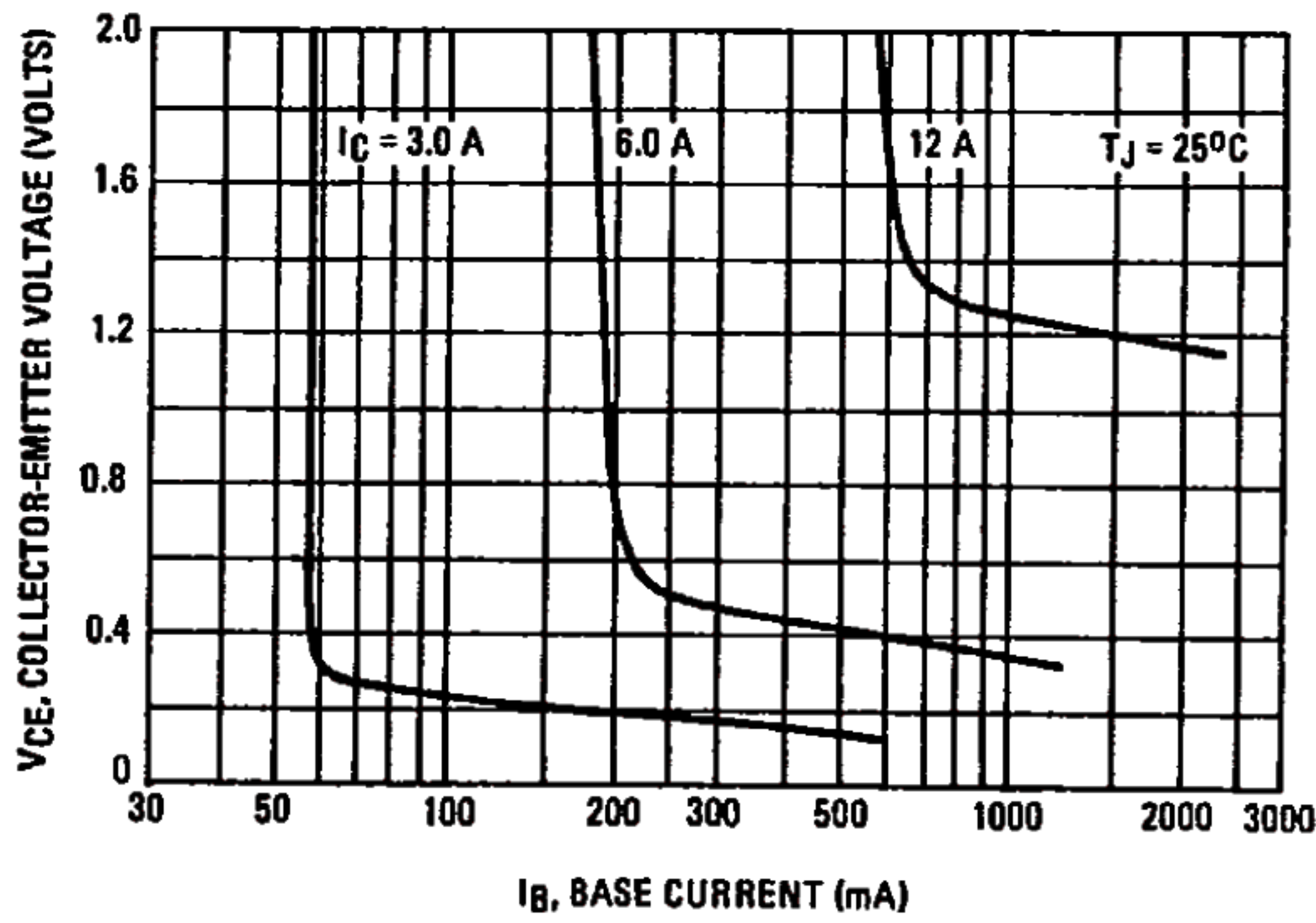


FIGURE 10 - "ON" VOLTAGES

