

BIPOLAR ANALOG INTEGRATED CIRCUIT

μ PC1406HA

DUAL ATTENUATOR

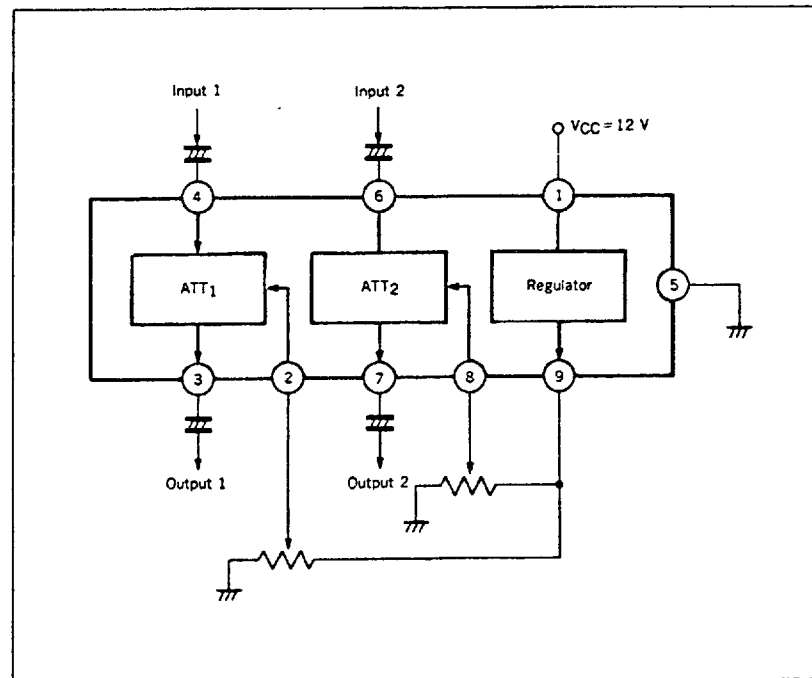
DESCRIPTION

The μ PC1406HA is a silicon monolithic integrated circuit for sound control (e.g. Volume, Balance). This IC has a good characteristic control curve ('A' Curve), and is very suitable for remote control applications. The two attenuators are completely separate, and it is easy to control the balance between the two attenuators. This IC is manufactured in a 9 Pin slim SIP.

FEATURES

- Each attenuator is completely separate, and is very easy to control with remote control. (e.g. Volume, Balance)
- This IC's characteristic control curve is linear against logarithmic output, and offers smooth control.
- Channel Separation : 64 dB MIN.
- Typical Application : Sound MPX attenuator for TV, Radio and mobile receiver.

BLOCK DIAGRAM



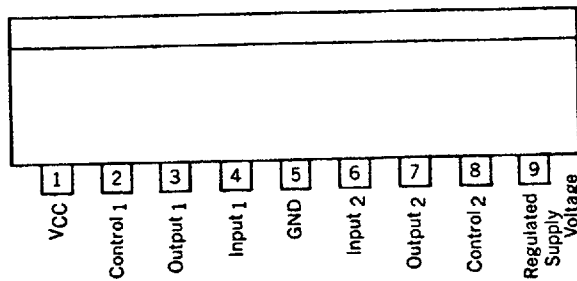
ABSOLUTE MAXIMUM RATINGS ($T_a = 25^\circ\text{C}$)

Supply Voltage	V_{CC}	0 (MIN.), 15 (MAX.)	V
Signal Input Voltage at pins 4 and 6	V_{in}	3	V_{p-p}
Control Input Voltage at pins 2 and 8	V_{cont}	0 (MIN.), 15 (MAX.)	V
Power Dissipation	P_D	350 ($T_a = 75^\circ\text{C}$)	mW
Operating Temperature	T_{opt}	-20 to +75	$^\circ\text{C}$
Storage Temperature	T_{stg}	-40 to +125	$^\circ\text{C}$

ELECTRICAL CHARACTERISTICS ($V_{CC} = 12\text{ V}$, $T_a = 25^\circ\text{C}$, $f = 1\text{ kHz}$)

CHARACTERISTIC	SYMBOL	MIN.	TYP.	MAX.	UNIT	TEST CONDITIONS
Supply Voltage	V_{CC}	8.0	12.0	14.4	V	
Supply Current	I_{CC}	6.0	8.5	13.5	mA	NO SIGNAL
Relative Output	A_v	-2	0	+2	dB	$V_{cont} = 1\text{ V}$, $V_{in} = 500\text{ mV}_{r.m.s.}$
Channel Separation	Sep	64.0	70.0	-	dB	$V_{cont} = 5\text{ V}$, $V_{in} = 500\text{ mV}_{r.m.s.}$
Total Harmonic Distortion	THD	-	0.5	1.0	%	$V_{cont} = 5\text{ V}$, $V_{in} = 500\text{ mV}_{r.m.s.}$
Power Source Noise Rejection	R.R.	30	-	-	dB	$H_{um} f = 60\text{ Hz}$, $H_{um} \text{ Level} = 1\text{ V}_{p-p}$
Output Voltage 1	ATT_1	-1.5	0	+1	dB	$V_{cont} = 5\text{ V}$, $V_{in} = 500\text{ mV}_{r.m.s.}$
Output Voltage 2	ATT_2	-34	-30	-26	dB	$V_{cont} = 5\text{ V}$, $V_{in} = 500\text{ mV}_{r.m.s.}$
Output Voltage 3	ATT_3	-	-77	-71	dB	$V_{cont} = 5\text{ V}$, $V_{in} = 500\text{ mV}_{r.m.s.}$
Input Resistance	R_i	12	-	24	$k\Omega$	$f = 1\text{ kHz}$
Output Resistance	R_o	200	-	450	Ω	$f = 1\text{ kHz}$

CONNECTION DIAGRAM



TEST CIRCUIT

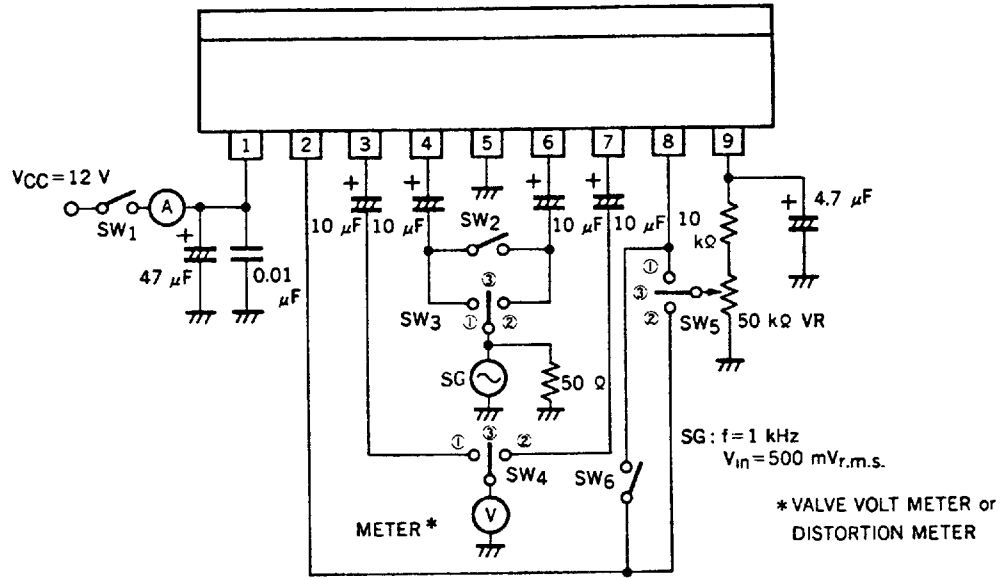
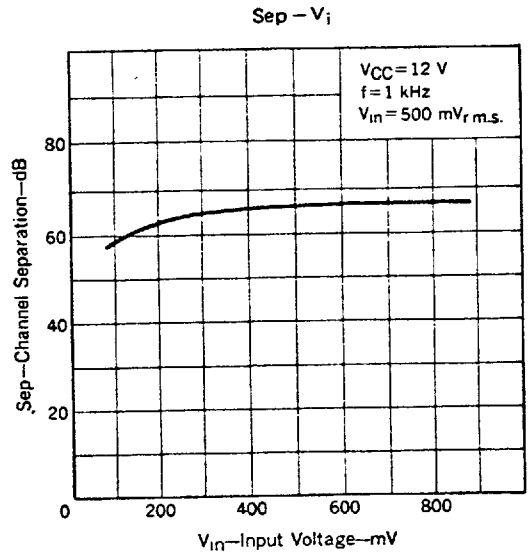
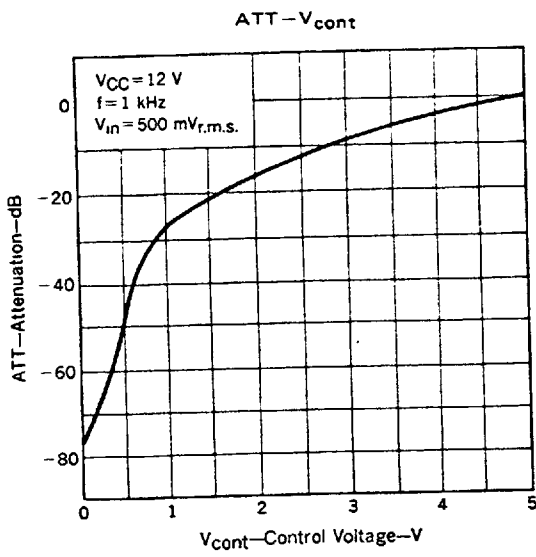
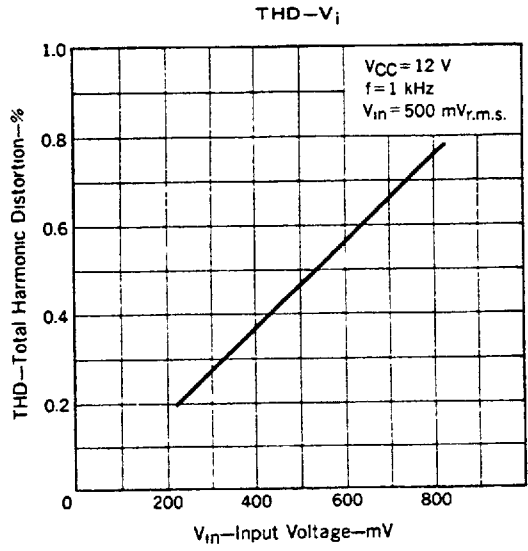
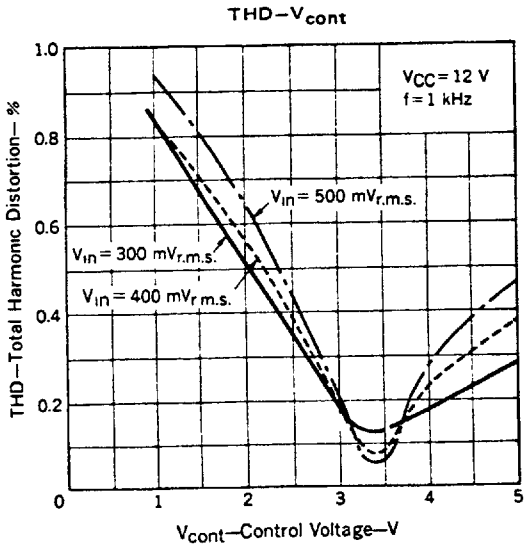


TABLE OF SWITCH CONDITIONS IN THE TEST CIRCUIT

CHARACTERISTIC		SWITCH CONDITION						
		SW ₁	SW ₂	SW ₃	SW ₄	SW ₅	SW ₆	VR
Supply Voltage		ON	ON	•	•	•	ON	5 V
Supply Current		ON	OFF	3	3	•	ON	0 V
Relative Output		ON	ON	•	1 (ch1) 2 (ch2)	•	ON	1 V
Channel Separation	ch1 → ch2	ON	OFF	1	1	2	OFF	5 V
	ch2 → ch1	ON	OFF	2	2	1	OFF	5 V
Distortion Ratio		ON	ON	•	1 (ch1) 2 (ch2)	•	OFF	5 V
Power Source Noise Rejection		ON	•	3	1 (ch1) 2 (ch2)	•	ON	5 V
Output Voltage		ON	ON	•	1 (ch1) 2 (ch2)	•	ON	5 V
Output Voltage 2		ON	ON	•	1 (ch1) 2 (ch2)	•	ON	1 V
Output Voltage 3		ON	ON	•	1 (ch1) 2 (ch2)	•	ON	0 V
Input Resistance		ON	•	•	•	•	•	5 V
Output Resistance		ON	•	•	•	•	•	5 V

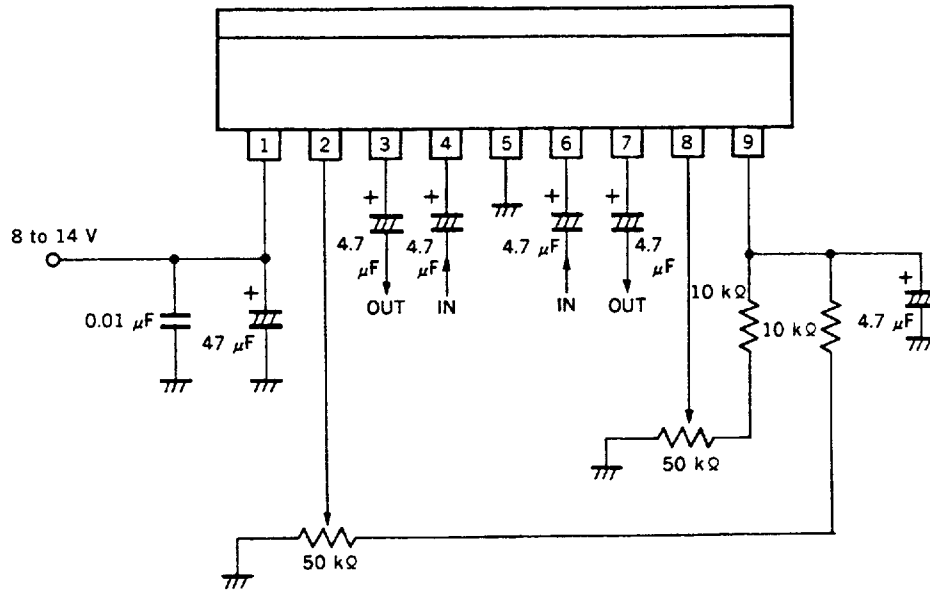
* ON, OFF, 1, 2 as convenient

TYPICAL CHARACTERISTICS (T_a = 25 °C)

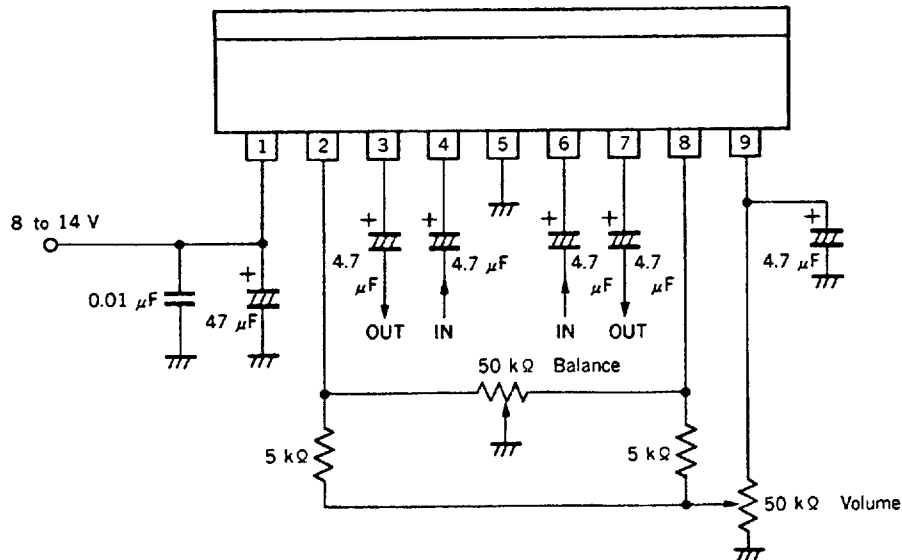


EXTERNAL COMPONENTS FOR μPC1406HA

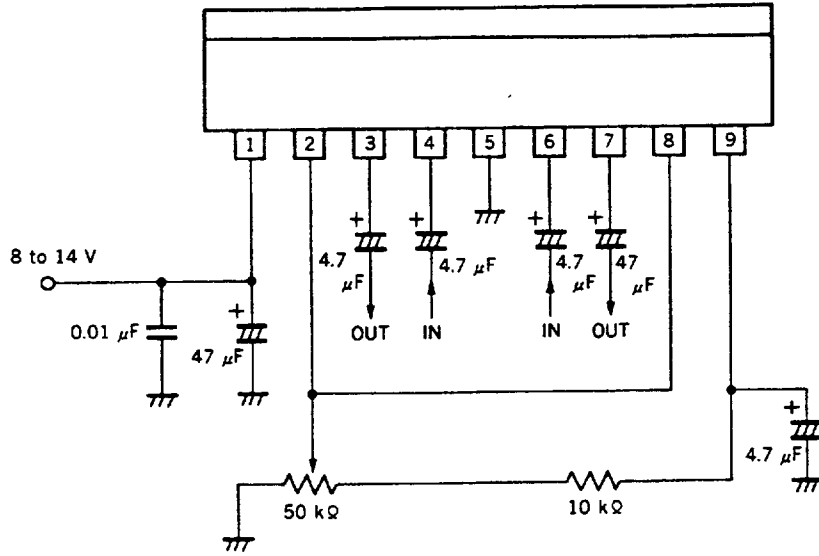
(1) To Control Each Attenuator Separately



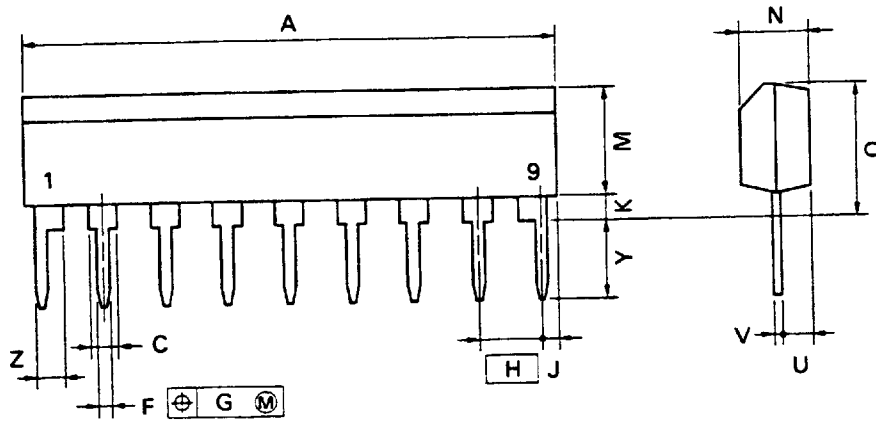
(2) To Balance The Two Attenuators



(3) To Control Both Attenuators Simultaneously



9 PIN PLASTIC SLIM SIP



NOTE

Each lead centerline is located within 0.25 mm (0.01 inch) of its true position (T.P.) at maximum material condition.

P9HA-254B

ITEM	MILLIMETERS	INCHES
A	22.86 MAX.	0.9 MAX.
C	1.1 MIN.	0.043 MIN.
F	0.5 ^{-0.1}	0.02 ^{8/888}
G	0.25	0.01
H	2.54	0.1
J	1.27 MAX.	0.05 MAX.
K	0.51 MIN.	0.02 MIN.
M	5.08 MAX.	0.2 MAX.
N	2.8 ^{-0.2}	0.11 ^{8/888}
Q	5.75 MAX.	0.227 MAX.
U	1.5 MAX.	0.059 MAX.
V	0.25 ^{8/888}	0.01 ^{8/888}
Y	3.2 ^{-0.5}	0.126 ^{-0.02}
Z	1.1 MIN.	0.043 MIN.