

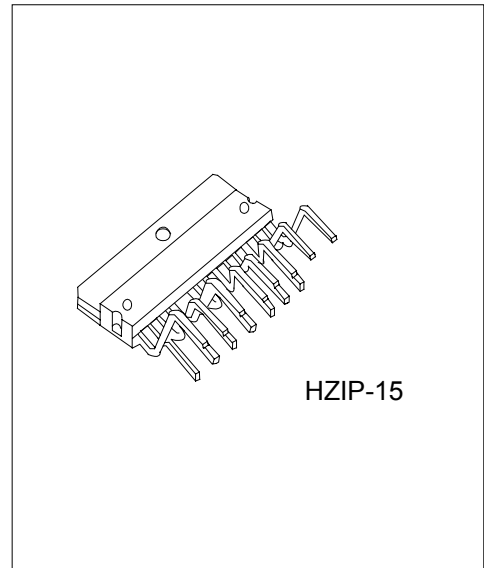
5W+5W AMPLIFIER WITH DC VOLUME CONTROL

DESCRIPTION

The UTC **TDA8496** is a stereo 5+5W class AB power amplifier with mute and dc volume control, assembled in the HZIP-15 package. It is designed for high quality sound, LCD TV or LCD Monitor applications.

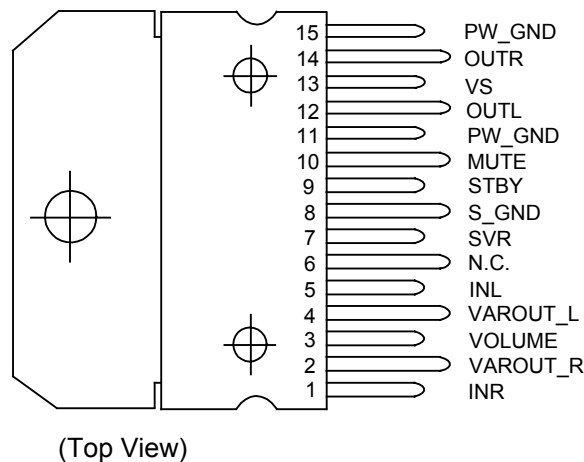
FEATURES

- * 5+5W OUTPUT POWER @ $V_{CC} = 22V$; $R_L = 8\Omega$
- * LOW TURN-ON TURN-OFF POP NOISE
- * LOW EXTERNAL COMPONENTS
- * SHORT CIRCUIT & THERMAL OVERLOAD PROTECTION
- * LINEAR VOLUME CONTROL BY DC VOLTAGE
- * SOFT CLIPPING
- * INTERNALLY FIXED GAIN
- * ST-BY AND MUTE FUNCTIONS

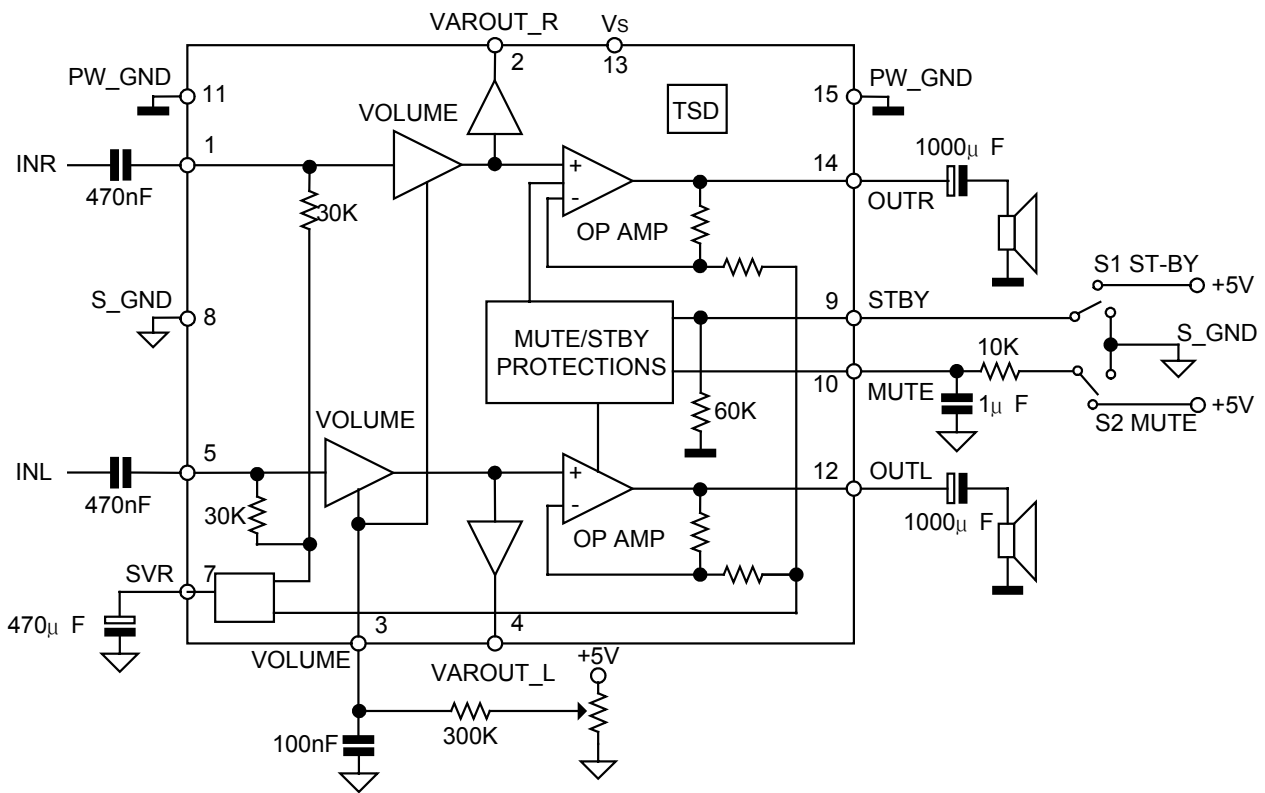


*Pb-free plating product number: TDA8496L

PIN CONFIGURATION



BLOCK DIAGRAM



ABSOLUTE MAXIMUM RATINGS

PARAMETER	SYMBOL	RATINGS	UNIT
DC Supply voltage	V _s	35	V
Maximum Input Voltage	V _{IN}	8	V _{PP}
Volume Control DC Voltage	V ₃	7	V
Total Power Dissipation (T _a = 80°C)	P _{tot}	15	W
Ambient Operating Temperature	T _{amb}	0 ~ 70	°C
Junction Temperature	T _j	-40 ~ 150	°C
Storage Temperature	T _{stg}	-40 ~ 150	°C

THERMAL DATA

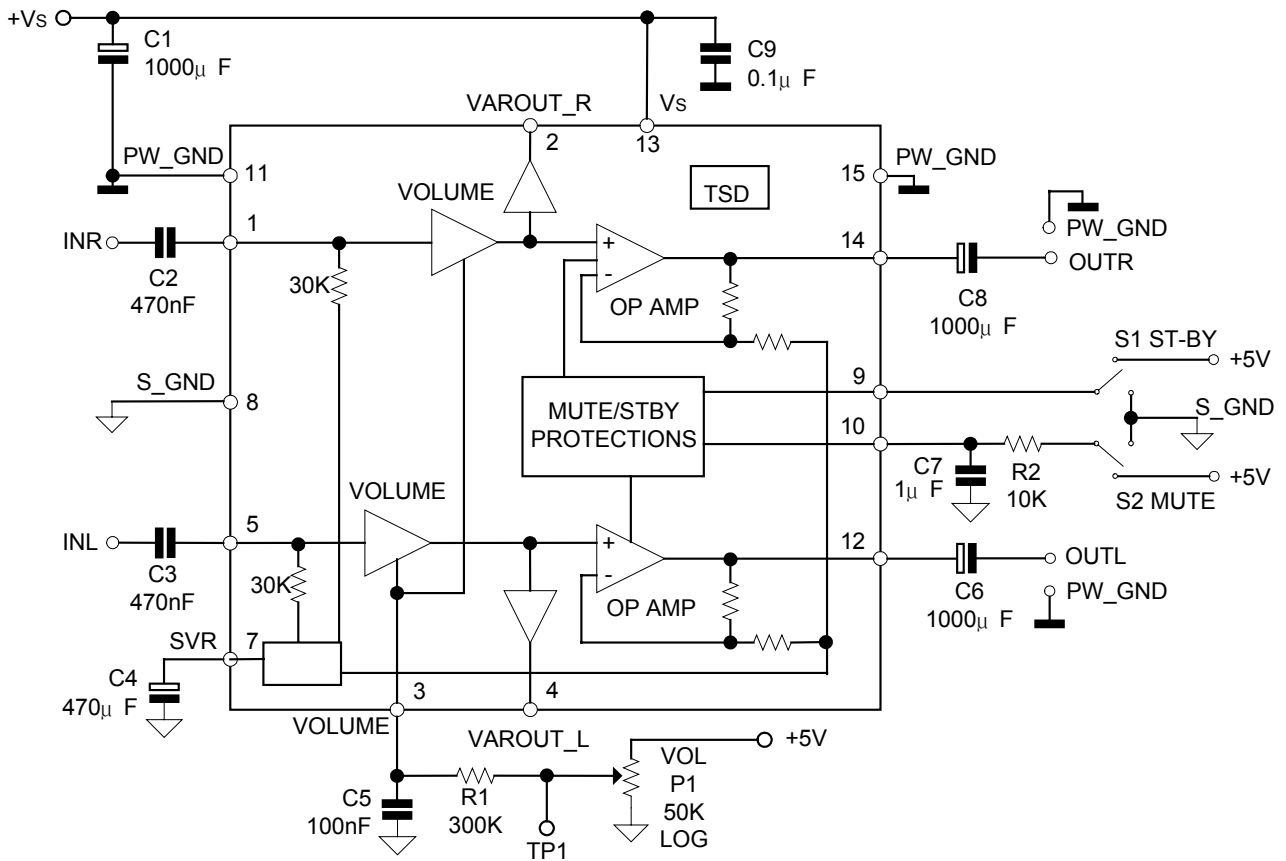
PARAMETER	SYMBOL	RATINGS	UNIT
Thermal Resistance junction-case	Θ _{JC}	Typ. = 4, Max. = 4.6	°C/W
Thermal Resistance junction-ambient Max.	Θ _{JA}	35	°C/W

ELECTRICAL CHARACTERISTICS

(Refer to the test circuit $V_S = 22V$, $R_L = 8\Omega$, $R_g = 50\Omega$, $T_a=25^\circ C$)

PARAMETER	SYMBOL	TEST CONDITIONS	MIN	TYP	MAX	UNIT
Supply Voltage Range	V_S		10		32	V
Total Quiescent Current	I_q			25	50	mA
Output DC Offset Referred to SVR Potential	DCV_{OS}	No Input Signal		200		mV
Quiescent Output Voltage	V_O			11		V
Output Power	P_O	THD = 10%, $R_L = 8\Omega$	5	5.5		W
		THD = 1%, $R_L = 8\Omega$		4		W
		THD = 10%, $R_L = 4\Omega$, $V_S = 12V$		2.1		W
		THD = 1%, $R_L = 4\Omega$, $V_S = 12V$		1.0		W
Total Harmonic Distortion	THD	$G_v = 30dB$, $P_O = 1W$, $f = 1KHz$			0.4	%
Output Peak Current	I_{peak}	(internally limited)	1.0	1.3		A
Input Signal	V_{IN}				2.8	Vrms
Closed Loop Gain	G_V	$V_{OI\ Ctrl} > 4.5V$	28.5	30	31.5	dB
Monitor Out Gain	G_{VLine}	$V_{OI\ Ctrl} > 4.5V$, $Z_{load} > 30K\Omega$	-1.5	0	1.5	dB
Attenuation at Minimum Volume	$A_{Min} V_{OL}$	$V_{OI\ Ctrl} < 0.5V$	80			dB
	BW			0.6		MHz
Total Output Noise	eN	f=20Hz ~ 22KHz(PLAY, max volume)		500	800	μV
		f=20Hz ~ 22KHz PLAY, max attenuation		100	250	μV
		f= 20Hz ~ 22KHz MUTE		60	150	μV
Slew Rate	SR		5	8		V/ μs
Input Resistance	R_i		22.5	30		K Ω
Variable Output Resistance	$R_{Var\ Out}$			30	100	Ω
Variable Output Load	$R_{L\ Var\ Out}$		2			K Ω
Supply Voltage Rejection	SVR	f = 1KHz, max volume $C_{SVR} = 470mF$, $V_{RIP} = 1Vrms$	35	39		dB
		f = 1KHz, max attenuation $C_{SVR} = 470mF$, $V_{RIP} = 1Vrms$	55	65		dB
Thermal Muting	T_M			150		$^\circ C$
Thermal Shut-down	T_S			160		$^\circ C$
MUTE STAND-BY & INPUT SELECTION FUNCTIONS						
Stand-by ON Threshold	V_{ST-ON}		3.5			V
Stand-by OFF Threshold	V_{ST-OFF}				1.5	V
Mute ON threshold	V_{MUTEON}		3.5			V
Mute OFF threshold	$V_{MUTEOFF}$				1.5	V
Mute Attenuation	A_{MUTE}		50	65		dB
Quiescent Current @ Stand-by	I_{qST-BY}			0.6	1	mA
Stand-by bias current	$I_{stbyBIAS}$	Stand by ON: $V_{ST-BY} = 5V$, $V_{mute} = 5V$		80		μA
		Play or Mute	-20	-5		μA
Mute Bias Current	$I_{muteBIAS}$	Mute		1	5	μA
		Play		0.2	2	μA

Figure 1: APPLICATION CIRCUIT

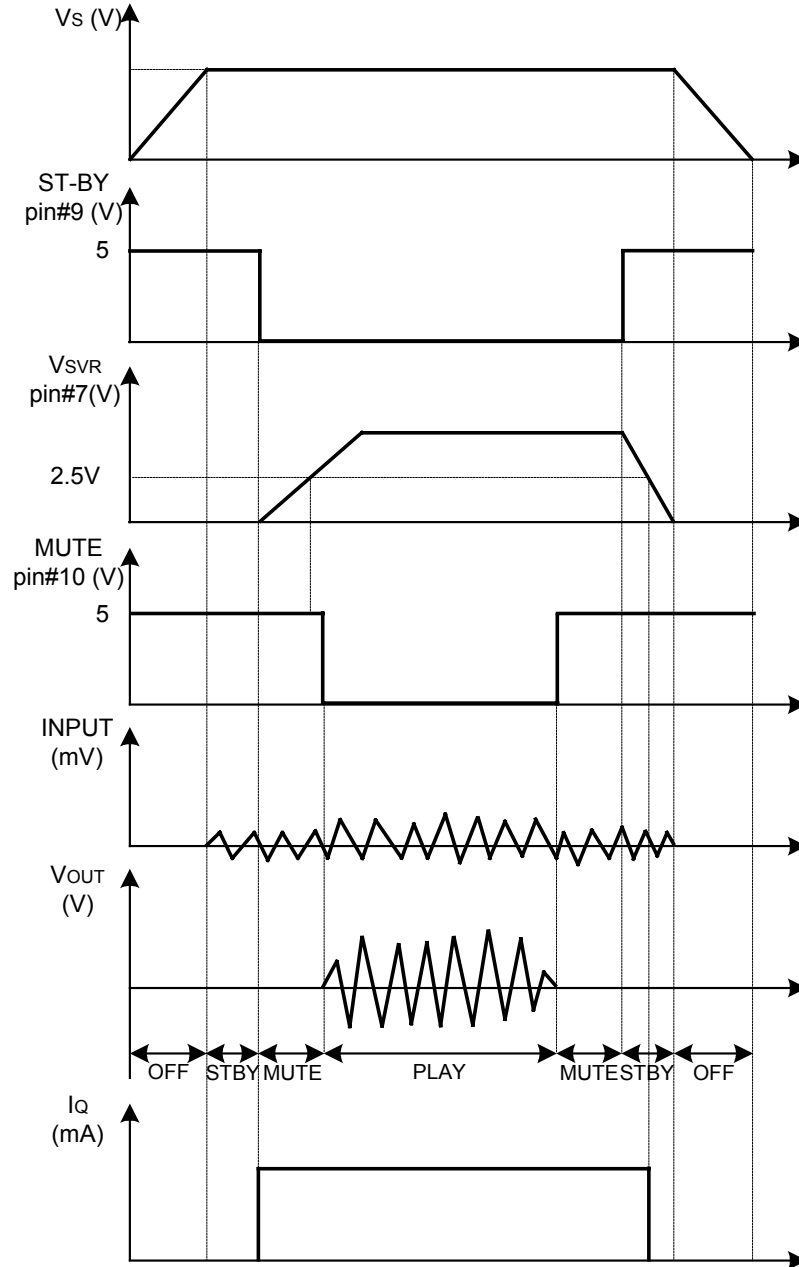


MUTE STAND-BY TRUTH TABLE

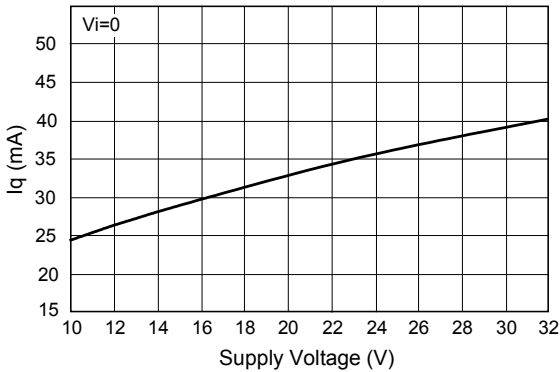
MUTE	St-BY	OPERATING CONDITION
H	H	STAND-BY
L	H	STAND-BY
H	L	MUTE
L	L	PLAY

Turn ON/OFF Sequences

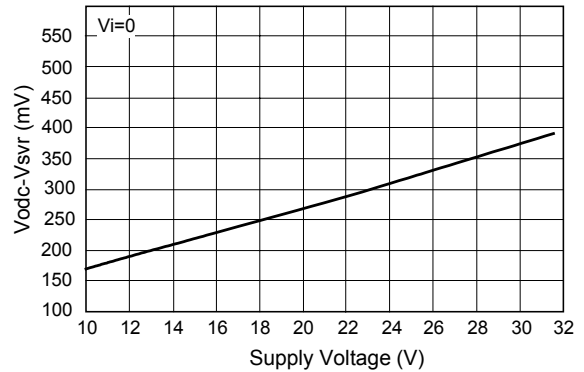
USING ONLY THE MUTE FUNCTION



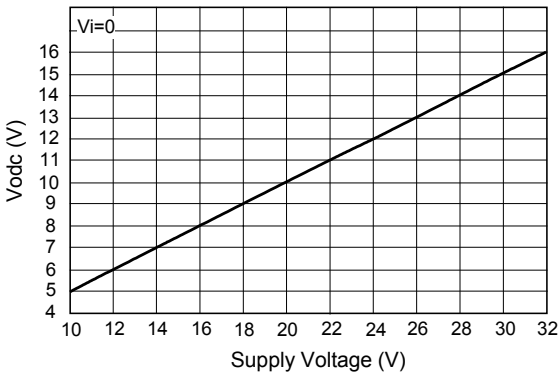
Quiescent Current vs. Supply Voltage



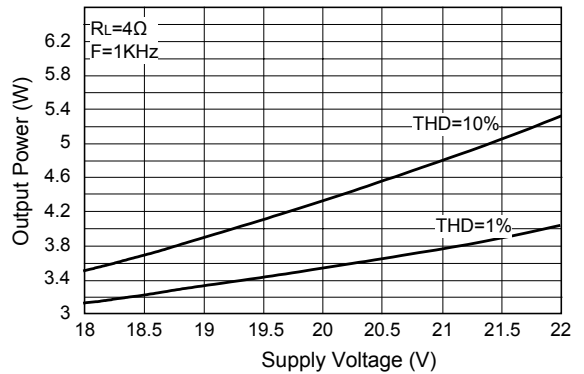
Output DC Offset vs. Supply Voltage



Output Dc Offset vs. Supply Voltage



Output Power vs Supply Voltage



UTC assumes no responsibility for equipment failures that result from using products at values that exceed, even momentarily, rated values (such as maximum ratings, operating condition ranges, or other parameters) listed in products specifications of any and all UTC products described or contained herein. UTC products are not designed for use in life support appliances, devices or systems where malfunction of these products can be reasonably expected to result in personal injury. Reproduction in whole or in part is prohibited without the prior written consent of the copyright owner. The information presented in this document does not form part of any quotation or contract, is believed to be accurate and reliable and may be changed without notice.