

# DATA SHEET

## **TDA8012AM**

Low power PLL FM demodulator for  
satellite TV receivers

Product specification  
File under Integrated Circuits, IC02

1997 May 26

## Low power PLL FM demodulator for satellite TV receivers

## TDA8012AM

### FEATURES

- High input sensitivity
- Fully balanced two-pin Voltage Controlled Oscillator (VCO)
- Low input impedance (50  $\Omega$ )
- Low impedance video baseband output
- Internal voltage stabilizer
- Keyed Automatic Frequency Control (AFC) or peak AFC
- Carrier detector
- Automatic Gain Control (AGC) output.

### GENERAL DESCRIPTION

The TDA8012AM is a sensitive Phase Locked Loop (PLL) Frequency Modulation (FM) demodulator for the second Intermediate Frequency (IF) in satellite receivers. It provides Automatic Gain Control (AGC) and Automatic Frequency Control (AFC) outputs that can be used to optimize the level and the frequency of the signal applied at the input. During the search procedure, the AFC output provides a signal used for carrier detection.

### APPLICATIONS

- Digital Broadcast System (DBS) satellite receivers.

### QUICK REFERENCE DATA

SYMBOL	PARAMETER	CONDITIONS	MIN.	TYP.	MAX.	UNIT
$V_{CC}$	supply voltage		4.75	5.0	5.25	V
$I_{CC}$	supply current	$V_{CC} = 5\text{ V}; T_{amb} = 25\text{ }^\circ\text{C}$	40	50	60	mA
$V_i$	input level		53	57	61	dB $\mu$ V
$f_c$	operating carrier frequency		–	480	–	MHz
$V_{o(p-p)}$	video output signal amplitude (peak-to-peak value)	frequency deviation = 25 MHz	–	1	–	V

### ORDERING INFORMATION

TYPE NUMBER	PACKAGE		
	NAME	DESCRIPTION	VERSION
TDA8012AM	SSOP20	plastic shrink small outline package; 20 leads; body width 4.4 mm	SOT266-1

# Low power PLL FM demodulator for satellite TV receivers

## TDA8012AM

### BLOCK DIAGRAM

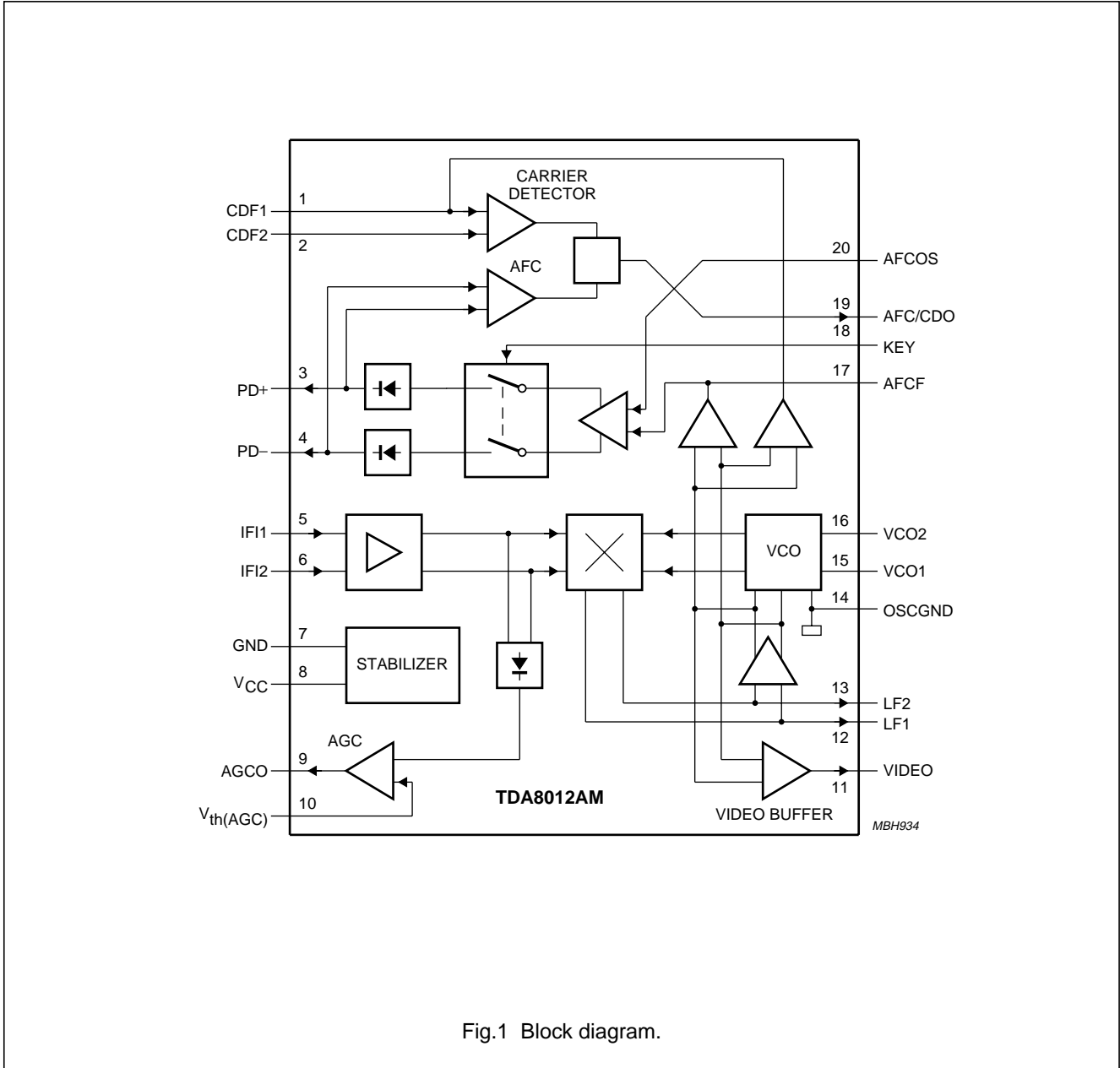


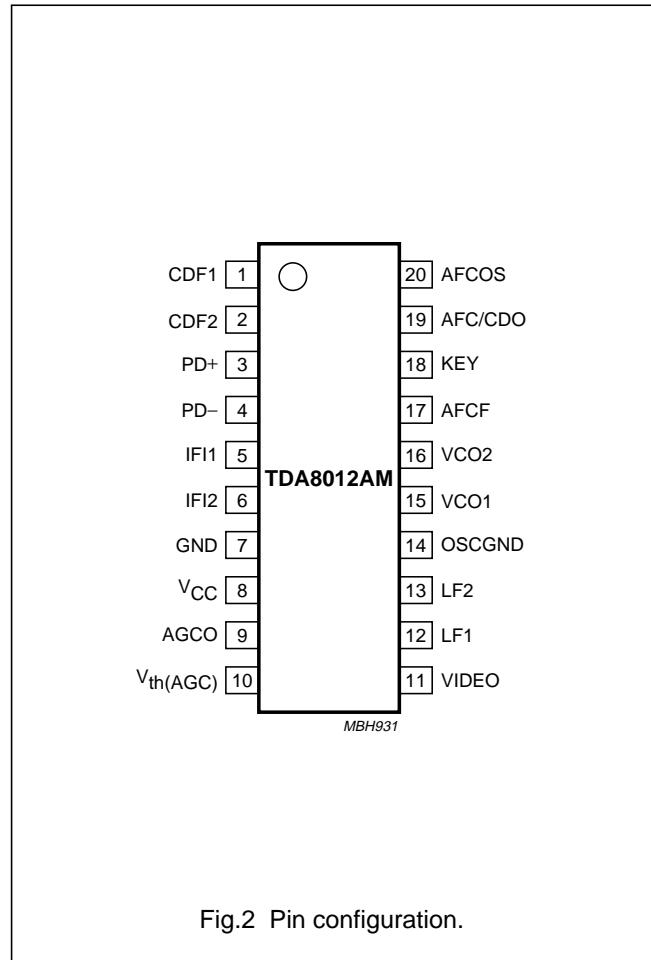
Fig.1 Block diagram.

# Low power PLL FM demodulator for satellite TV receivers

## TDA8012AM

### PINNING

SYMBOL	PIN	DESCRIPTION
CDF1	1	carrier detector filter 1 input
CDF2	2	carrier detector filter 2 input
PD+	3	positive peak detector output
PD-	4	negative peak detector output
IF1	5	intermediate frequency input 1
IF2	6	intermediate frequency input 2
GND	7	general ground
V <sub>CC</sub>	8	supply voltage
AGCO	9	automatic gain control output
V <sub>th(AGC)</sub>	10	automatic gain control threshold voltage input
VIDEO	11	baseband signal output
LF1	12	loop filter 1 input
LF2	13	loop filter 2 input
OSCGND	14	oscillator ground
VCO1	15	oscillator tank circuit 1 input
VCO2	16	oscillator tank circuit 2 input
AFCF	17	automatic frequency control filter input
KEY	18	key pulse input
AFC/CDO	19	automatic frequency control /carrier detector output
AFCOS	20	automatic frequency control offset input



### FUNCTIONAL DESCRIPTION

The TDA8012AM is a low power PLL FM demodulator designed for use in satellite TV reception systems.

The demodulator is based on a PLL structure including a fully balanced two-pin VCO. A high gain IF amplifier ensures a high input sensitivity. The video output voltage is supplied through a highly-linear video buffer with a low output impedance. The centre frequency of the VCO and the loop characteristics can be set by external components (see Fig.4).

The circuit provides an AGC signal which is used to drive a gain-controlled IF amplifier (TDA8011T or TDA8010AM) for a stable PLL demodulation characteristic.

An analog AFC voltage is available. This signal fits in with the input of the A/D converter port of the PLL frequency synthesizer (TSA5055). The AFC function may be keyed to address D2MAC systems.

The TDA8012AM includes a Carrier Detector (CD) used for channel detection during search procedures.

## Low power PLL FM demodulator for satellite TV receivers

TDA8012AM

### LIMITING VALUES

In accordance with the Absolute Maximum Rating System (IEC 134).

SYMBOL	PARAMETER	MIN.	MAX.	UNIT
$V_{CC}$	supply voltage	-0.3	+6.0	V
$V_{I(max)}$	voltage on all pins	-0.3	$V_{CC}$	V
$I_{O(max)}$	output source current	-	10	mA
$t_{sc(max)}$	maximum short-circuit time on outputs	-	10	s
$Z_L$	AC load impedance at video output	600	-	$\Omega$
$T_{stg}$	IC storage temperature	-55	+150	$^{\circ}C$
$T_j$	junction temperature	-	150	$^{\circ}C$
$T_{amb}$	operating ambient temperature	-10	+80	$^{\circ}C$

### HANDLING

Inputs and outputs are protected against electrostatic discharge in normal handling. However, to be totally safe it is desirable to take normal precautions appropriate to handling MOS devices.

### THERMAL CHARACTERISTICS

SYMBOL	PARAMETER	CONDITIONS	VALUE	UNIT
$R_{th\ j-a}$	thermal resistance from junction to ambient	in free air	120	K/W

# Low power PLL FM demodulator for satellite TV receivers

TDA8012AM

## CHARACTERISTICS

Measured in the application circuit (see Fig.4) with the following conditions:  $V_{CC} = 5\text{ V}$ ,  $T_{amb} = 25\text{ °C}$ ,  $f_c = 480\text{ MHz}$ , input level: 57 dB $\mu$ V; unless otherwise specified.

SYMBOL	PARAMETER	CONDITIONS	MIN.	TYP.	MAX.	UNIT
<b>Supply</b>						
$V_{CC}$	supply voltage		4.75	5.0	5.25	V
$I_{CC}$	supply current	note 1	40	50	60	mA
<b>Voltage controlled oscillator</b>						
$K_{VCO}$	VCO constant	$4.75 < V_{CC} < 5.25\text{ V}$ ; $-10 < T_{amb} < 80\text{ °C}$	20	25	30	MHz/V
$\Delta f_{VCO(\text{drift})}$	VCO frequency temperature dependence	note 2	–	1	2.5	MHz
$\Delta f_{VCO(\text{shift})}$	VCO frequency voltage dependence	$4.75 < V_{CC} < 5.25\text{ V}$	–	$\pm 300$	$\pm 750$	kHz
<b>Frequency demodulator</b>						
$V_i$	operating input level	note 3	53	57	61	dB $\mu$ V
$f_c$	optimal operating carrier frequency		–	480	–	MHz
$Z_i$	input impedance	note 4				
	resistive part		–	50	–	$\Omega$
	inductive part		–	100	–	nH
$K_D$	phase detector constant	$V_i = 57\text{ dB}\mu\text{V}$	–	0.42	–	V/rad
$L_G$	PLL loop gain	note 5				
	drift		–	2	–	dB
	shift		–	2	–	dB
$Z_o$	differential output impedance of the phase detector		1.8	2.3	2.8	k $\Omega$
$f_{cr(\text{PLL})}$	PLL capture range	note 6	$\pm 20$	$\pm 26$	–	MHz
$D_G$	differential gain	note 7	–	$\pm 2$	–	%
$D_P$	differential phase	note 7	–	$\pm 2$	–	deg
IM3	third-order intermodulation distortion	note 8	47	–	–	dB
IM2	second-order intermodulation distortion	note 9	45	–	–	dB
<b>Video output</b>						
$V_{o(p-p)}$	baseband signal amplitude (peak-to-peak value)	frequency deviation = 25 MHz	0.8	1.0	1.2	V
$V_O$	DC voltage level of video output		2.1	2.35	2.6	V
$Z_o$	output impedance		–	75	–	$\Omega$
S/N	weighted baseband signal-to-noise ratio	note 10	58	61	–	dB
$S_{AM}$	Amplitude Modulation (AM) sensitivity	note 11	–	30	–	dB

# Low power PLL FM demodulator for satellite TV receivers

## TDA8012AM

SYMBOL	PARAMETER	CONDITIONS	MIN.	TYP.	MAX.	UNIT
<b>Automatic gain control (note 12)</b>						
TH <sub>AGC</sub>	automatic gain control threshold as a function of the voltage applied to pin 10	I <sub>AGCO</sub> = 0.5 mA; V <sub>10</sub> = 0.1V <sub>CC</sub>	–	–	53	dB $\mu$ V
		I <sub>AGCO</sub> = 0.5 mA; V <sub>10</sub> = 0.9V <sub>CC</sub>	61	–	–	dB $\mu$ V
	note 13	V <sub>th(AGC)</sub> (pin 10) not connected	–	57	–	dB $\mu$ V
LD	level detector					
	shift drift	V <sub>CC</sub> = 4.75 to 5.25 V T <sub>amb</sub> = –10 to +80 °C	– –	1 1	– –	dB dB
S <sub>AGC</sub>	automatic gain control steepness	I <sub>AGCO</sub> = 0.5 mA; note 14	–	8	–	mA/dB
V <sub>sat(AGC)</sub>	low level automatic gain control output saturation voltage	I <sub>AGCO</sub> = 1 mA	–	200	500	mV
<b>Keying pulse</b>						
t <sub>key</sub>	input keyed pulse time period		–	64	–	$\mu$ s
t <sub>W(key)</sub>	keyed pulse width		8	–	–	$\mu$ s
V <sub>IL</sub>	LOW level input keyed pulse voltage	key on	–	–	0.8	V
V <sub>IH</sub>	HIGH level input keyed pulse voltage	key off	3.0	–	–	V
Z <sub>i</sub>	input impedance		1	10	–	k $\Omega$
<b>AFC and carrier detector output (note 15)</b>						
I <sub>L(pd)</sub>	peak detector leakage current	note 16	50	150	250	nA
$\frac{\Delta V_{AFC}}{\Delta f}$	automatic frequency control steepness with unmodulated input signal		4.5	5.5	6.5	V/MHz
$\Delta f_{AFC(\text{shift})}$	shift of automatic frequency control voltage with respect to f <sub>VCO</sub> with unmodulated 480 MHz input signal	$\Delta V_{CC} = \pm 5\%$	–	$\pm 180$	$\pm 500$	kHz
$\Delta f_{AFC(\text{drift})}$	drift of automatic frequency control voltage with respect to f <sub>VCO</sub>	T <sub>amb</sub> = 80 °C; note 17	–	–1.1	–	MHz

### Notes

- The DC supply current is measured with V<sub>CC</sub> = 5 V.
- The VCO frequency drift is defined as the change in oscillator frequency for a variation of ambient temperature, on the one hand from T<sub>amb</sub> = 25 °C to T<sub>amb</sub> = 0 °C and on the other hand from T<sub>amb</sub> = 25 °C to T<sub>amb</sub> = 50 °C. It is measured in the application of Fig.4 with the following component values for the tank circuit:  
Coil: 2.5 turns; diameter 2 mm; adjustable.  
Capacitor: miniature ceramic plate capacitor NP0, 3.3 pF.
- The circuit is designed for an input level of 57 dB $\mu$ V. The maximum allowable input level for the PLL design is 61 dB $\mu$ V. However, for levels different from 57 dB $\mu$ V, the optimum loop filter values will be different from those given for the 57 dB $\mu$ V input level in the reference measuring set-up.
- The input impedance is reduced to a resistor with a parallel reactance. The values are given at 480 MHz. In order to reduce the radiation from the oscillator to the RF input, it is recommended to use a symmetrical drive.
- The PLL loop gain shift and drift are given without loop filter shift and drift (non-temperature compensated external components).

## Low power PLL FM demodulator for satellite TV receivers

TDA8012AM

6. The capture range or lock-in range is defined as the range where the PLL gets in lock. This value depends strongly on the loop filter characteristics.
7. Measurements with test signals in accordance with CCIR recommendation 473-3; FM modulated signal with DBS parameters:
  - a) 625 lines PAL TV system
  - b) 16 MHz/V modulator sensitivity
  - c) 1 V (p-p) video signal
  - d) No SAW filter is used.
8. No SAW filter is used at the input:
  - a) 16 MHz/V modulator sensitivity
  - b) 4.43 MHz sine wave colour signal (660 mV (p-p))
  - c) 3.25 MHz sine wave luminance signal (700 mV (p-p))
  - d) CCIR pre-emphasis
  - e) Intermodulation distance is defined as the distance between the luminance signal and the intermodulation products. The video output spectrum is measured on pin 11 (point A of Fig.4) with a high resistance probe. The de-emphasis figure is obtained from the measured data by calculation.
9. No SAW filter is used at the input:
  - a) 16 MHz/V modulator sensitivity
  - b) Two sound carriers at 7.02 MHz and 7.20 MHz; 4 MHz deviation
  - c) Intermodulation measurement without pre-emphasis
  - d) Intermodulation distance is defined as the distance between one of the sound carriers and the intermodulation products
  - e) The video output spectrum is measured on pin 11 (point A of Fig.4) with a high resistance probe and a spectrum analyser.
10. Measurements are made under the following conditions
  - a) FM modulator video signal
  - b) Amplitude level: 57 dB $\mu$ V
  - c) Frequency: 479.5 MHz
  - d) Frequency deviation: 16 MHz
  - e) CCIR pre-emphasis + unified weighting filter
  - f) C/N > 50 dB  
S/N is measured after de-emphasis with a baseband spectrum from 200 kHz to 5 MHz.
11. The AM sensitivity is defined as the ratio of the baseband output signals obtained from either an AM or FM modulated RF input signal.
 
$$S_{AM} = 20 \log \frac{V_{o(FM)}}{V_{o(AM)}}$$

FM modulated signal:  $f_c = 480$  MHz, frequency deviation = 25 kHz, modulation frequency = 20 kHz, input level = 57 dB $\mu$ V  
 AM modulated signal:  $f_c = 480$  MHz, modulation depth = 50%, modulation frequency = 20 kHz, input level = 57 dB $\mu$ V.
12. The characteristics of the AGC function are measured in the application circuit of Fig.4. The circuit illustrated in Fig.4 has been designed to set the maximum AGC current to 1 mA. The output of the AGC function is capable of handling up to 5 mA. The maximum AGC current can be increased to 5 mA by decreasing the value of the resistor connected between pins 8 and 9.



Low power PLL FM demodulator for satellite TV receivers

TDA8012AM

13. For applications in which a fixed AGC threshold is used, it is recommended to use the internal resistor voltage divider for lower AGC threshold spread. In this case, the threshold is set to 57 dB $\mu$ V.
14. In the application circuit (see Fig.4) the voltage at the AGC output decreases when the IF input level increases above the adjusted AGC threshold.
15. The outputs from the AFC and carrier detector are combined at pin 19 (see Fig.3). During search tuning, when the input frequency is outside the capture range, the combined output (carrier detector function) is at a LOW level (any voltage below 0.6V<sub>CC</sub>). When the PLL becomes locked, the voltage at pin 19 rises to a HIGH level (V<sub>19</sub> = 0.8V<sub>CC</sub> to V<sub>CC</sub>). When the input channel is close to the centre frequency, V<sub>19</sub> falls to the LOW level. As shown in Fig.3, the voltage at pin 19 is now a function of the centre frequency (AFC function). This information may be read by a microcontroller via the ADC of the satellite frequency synthesizer (TSA5055) and the I<sup>2</sup>C-bus.
16. This current discharges the external capacitors between two energy dispersal peak values and avoid the use of external resistors in parallel with capacitors.
17. The drift of the automatic frequency control voltage is measured in accordance with the following method:
  - a) At room temperature (T<sub>amb</sub> = 25 °C) the TDA8012AM is driven by a 480 MHz unmodulated signal. The voltage at pin 20 must be adjusted to obtain a 1.5 V output at the AFC output (pin 19).
  - b) At T<sub>amb</sub> = 80 °C, due to its temperature drift, the AFC output voltage differs from 1.5 V. The input frequency must be adjusted to obtain 1.5 V at the AFC output. Then the VCO frequency f<sub>VCO</sub> is measured in free running mode (without input signal). The drift of the automatic frequency control voltage will then be equal to the difference between the input frequency and f<sub>VCO</sub>.

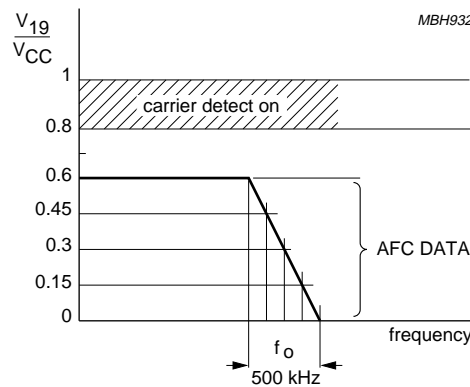
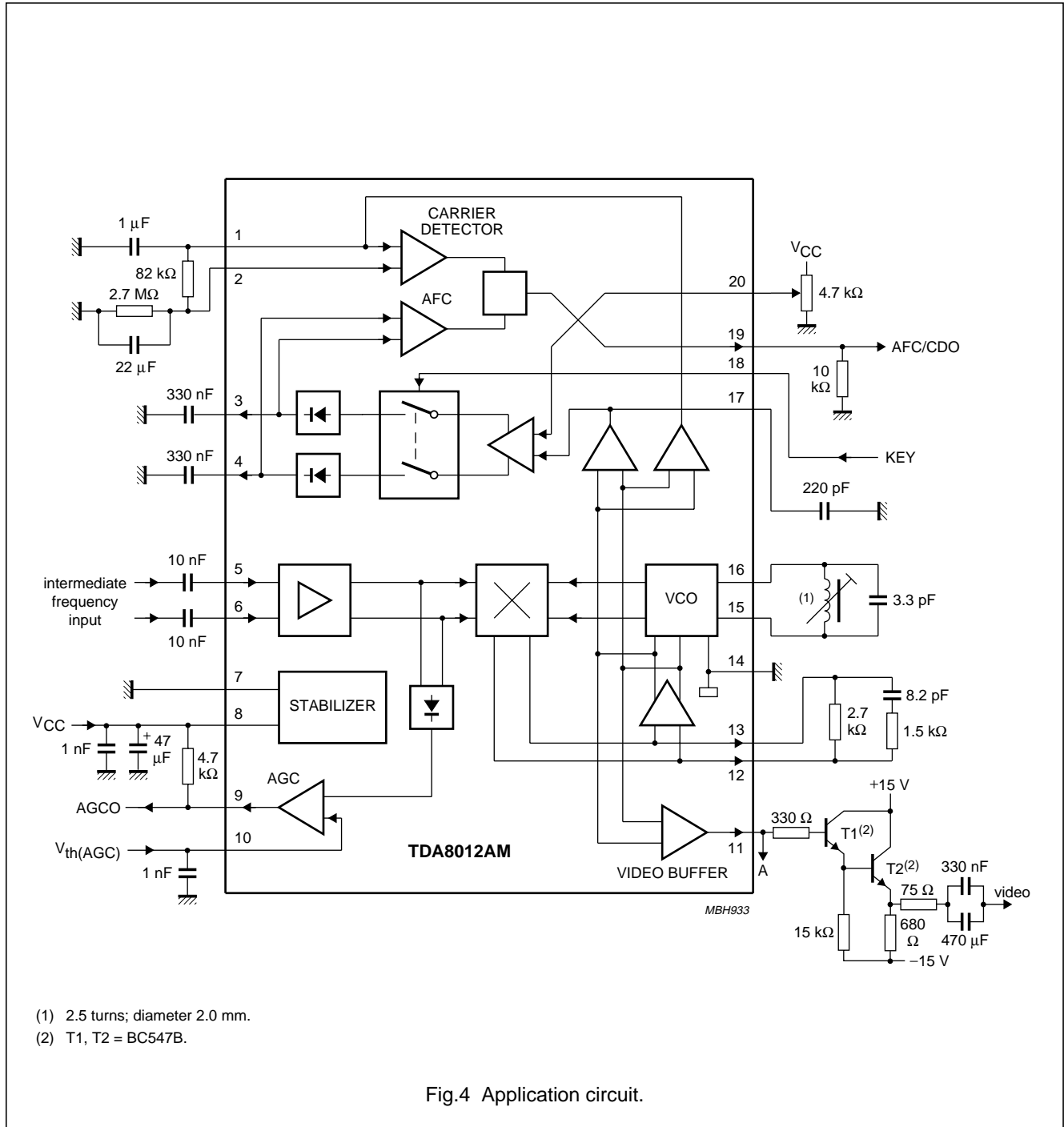


Fig.3 AFC and carrier detector output.

# Low power PLL FM demodulator for satellite TV receivers

## TDA8012AM

### APPLICATION INFORMATION



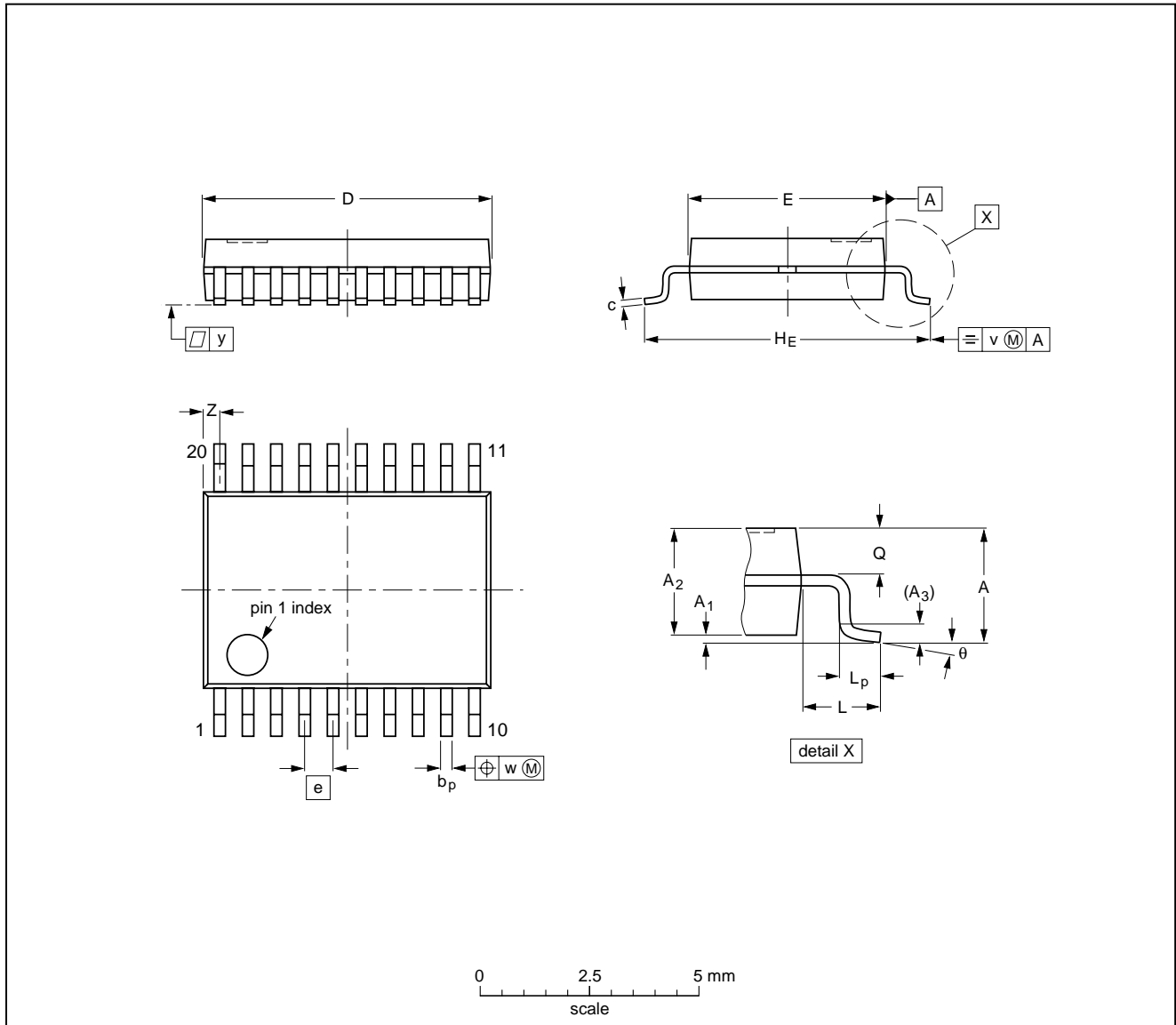
Low power PLL FM demodulator for satellite TV receivers

TDA8012AM

PACKAGE OUTLINE

SSOP20: plastic shrink small outline package; 20 leads; body width 4.4 mm

SOT266-1



DIMENSIONS (mm are the original dimensions)

UNIT	A max.	A <sub>1</sub>	A <sub>2</sub>	A <sub>3</sub>	b <sub>p</sub>	c	D <sup>(1)</sup>	E <sup>(1)</sup>	e	H <sub>E</sub>	L	L <sub>p</sub>	Q	v	w	y	Z <sup>(1)</sup>	θ
mm	1.5	0.15 0	1.4 1.2	0.25	0.32 0.20	0.20 0.13	6.6 6.4	4.5 4.3	0.65	6.6 6.2	1.0	0.75 0.45	0.65 0.45	0.2	0.13	0.1	0.48 0.18	10° 0°

Note

1. Plastic or metal protrusions of 0.20 mm maximum per side are not included.

OUTLINE VERSION	REFERENCES				EUROPEAN PROJECTION	ISSUE DATE
	IEC	JEDEC	EIAJ			
SOT266-1						90-04-05 95-02-25

## Low power PLL FM demodulator for satellite TV receivers

TDA8012AM

### SOLDERING

#### Introduction

There is no soldering method that is ideal for all IC packages. Wave soldering is often preferred when through-hole and surface mounted components are mixed on one printed-circuit board. However, wave soldering is not always suitable for surface mounted ICs, or for printed-circuits with high population densities. In these situations reflow soldering is often used.

This text gives a very brief insight to a complex technology. A more in-depth account of soldering ICs can be found in our "*IC Package Databook*" (order code 9398 652 90011).

#### Reflow soldering

Reflow soldering techniques are suitable for all SSOP packages.

Reflow soldering requires solder paste (a suspension of fine solder particles, flux and binding agent) to be applied to the printed-circuit board by screen printing, stencilling or pressure-syringe dispensing before package placement.

Several techniques exist for reflowing; for example, thermal conduction by heated belt. Dwell times vary between 50 and 300 seconds depending on heating method. Typical reflow temperatures range from 215 to 250 °C.

Preheating is necessary to dry the paste and evaporate the binding agent. Preheating duration: 45 minutes at 45 °C.

#### Wave soldering

Wave soldering is **not** recommended for SSOP packages. This is because of the likelihood of solder bridging due to closely-spaced leads and the possibility of incomplete solder penetration in multi-lead devices.

If wave soldering cannot be avoided, the following conditions must be observed:

- **A double-wave (a turbulent wave with high upward pressure followed by a smooth laminar wave) soldering technique should be used.**
- **The longitudinal axis of the package footprint must be parallel to the solder flow and must incorporate solder thieves at the downstream end.**

**Even with these conditions, only consider wave soldering SSOP packages that have a body width of 4.4 mm, that is SSOP16 (SOT369-1) or SSOP20 (SOT266-1).**

During placement and before soldering, the package must be fixed with a droplet of adhesive. The adhesive can be applied by screen printing, pin transfer or syringe dispensing. The package can be soldered after the adhesive is cured.

Maximum permissible solder temperature is 260 °C, and maximum duration of package immersion in solder is 10 seconds, if cooled to less than 150 °C within 6 seconds. Typical dwell time is 4 seconds at 250 °C.

A mildly-activated flux will eliminate the need for removal of corrosive residues in most applications.

#### Repairing soldered joints

Fix the component by first soldering two diagonally-opposite end leads. Use only a low voltage soldering iron (less than 24 V) applied to the flat part of the lead. Contact time must be limited to 10 seconds at up to 300 °C. When using a dedicated tool, all other leads can be soldered in one operation within 2 to 5 seconds between 270 and 320 °C.

# Low power PLL FM demodulator for satellite TV receivers

TDA8012AM

## DEFINITIONS

<b>Data sheet status</b>	
Objective specification	This data sheet contains target or goal specifications for product development.
Preliminary specification	This data sheet contains preliminary data; supplementary data may be published later.
Product specification	This data sheet contains final product specifications.
<b>Limiting values</b>	
Limiting values given are in accordance with the Absolute Maximum Rating System (IEC 134). Stress above one or more of the limiting values may cause permanent damage to the device. These are stress ratings only and operation of the device at these or at any other conditions above those given in the Characteristics sections of the specification is not implied. Exposure to limiting values for extended periods may affect device reliability.	
<b>Application information</b>	
Where application information is given, it is advisory and does not form part of the specification.	

## LIFE SUPPORT APPLICATIONS

These products are not designed for use in life support appliances, devices, or systems where malfunction of these products can reasonably be expected to result in personal injury. Philips customers using or selling these products for use in such applications do so at their own risk and agree to fully indemnify Philips for any damages resulting from such improper use or sale.

---

Low power PLL FM demodulator for  
satellite TV receivers

TDA8012AM

---

**NOTES**

---

Low power PLL FM demodulator for  
satellite TV receivers

TDA8012AM

---

**NOTES**

# Philips Semiconductors – a worldwide company

**Argentina:** see South America

**Australia:** 34 Waterloo Road, NORTH RYDE, NSW 2113,  
Tel. +61 2 9805 4455, Fax. +61 2 9805 4466

**Austria:** Computerstr. 6, A-1101 WIEN, P.O. Box 213,  
Tel. +43 1 60 101, Fax. +43 1 60 101 1210

**Belarus:** Hotel Minsk Business Center, Bld. 3, r. 1211, Volodarski Str. 6,  
220050 MINSK, Tel. +375 172 200 733, Fax. +375 172 200 773

**Belgium:** see The Netherlands

**Brazil:** see South America

**Bulgaria:** Philips Bulgaria Ltd., Energoproject, 15th floor,  
51 James Bourchier Blvd., 1407 SOFIA,  
Tel. +359 2 689 211, Fax. +359 2 689 102

**Canada:** PHILIPS SEMICONDUCTORS/COMPONENTS,  
Tel. +1 800 234 7381

**China/Hong Kong:** 501 Hong Kong Industrial Technology Centre,  
72 Tat Chee Avenue, Kowloon Tong, HONG KONG,  
Tel. +852 2319 7888, Fax. +852 2319 7700

**Colombia:** see South America

**Czech Republic:** see Austria

**Denmark:** Prags Boulevard 80, PB 1919, DK-2300 COPENHAGEN S,  
Tel. +45 32 88 2636, Fax. +45 31 57 0044

**Finland:** Sinikalliontie 3, FIN-02630 ESPOO,  
Tel. +358 9 615800, Fax. +358 9 61580920

**France:** 4 Rue du Port-aux-Vins, BP317, 92156 SURESNES Cedex,  
Tel. +33 1 40 99 6161, Fax. +33 1 40 99 6427

**Germany:** Hammerbrookstraße 69, D-20097 HAMBURG,  
Tel. +49 40 23 53 60, Fax. +49 40 23 536 300

**Greece:** No. 15, 25th March Street, GR 17778 TAVROS/ATHENS,  
Tel. +30 1 4894 339/239, Fax. +30 1 4814 240

**Hungary:** see Austria

**India:** Philips INDIA Ltd, Shivsagar Estate, A Block, Dr. Annie Besant Rd.  
Worli, MUMBAI 400 018, Tel. +91 22 4938 541, Fax. +91 22 4938 722

**Indonesia:** see Singapore

**Ireland:** Newstead, Clonskeagh, DUBLIN 14,  
Tel. +353 1 7640 000, Fax. +353 1 7640 200

**Israel:** RAPAC Electronics, 7 Kehilat Saloniki St, PO Box 18053,  
TEL AVIV 61180, Tel. +972 3 645 0444, Fax. +972 3 649 1007

**Italy:** PHILIPS SEMICONDUCTORS, Piazza IV Novembre 3,  
20124 MILANO, Tel. +39 2 6752 2531, Fax. +39 2 6752 2557

**Japan:** Philips Bldg 13-37, Kohnan 2-chome, Minato-ku, TOKYO 108,  
Tel. +81 3 3740 5130, Fax. +81 3 3740 5077

**Korea:** Philips House, 260-199 Itaewon-dong, Yongsan-ku, SEOUL,  
Tel. +82 2 709 1412, Fax. +82 2 709 1415

**Malaysia:** No. 76 Jalan Universiti, 46200 PETALING JAYA, SELANGOR,  
Tel. +60 3 750 5214, Fax. +60 3 757 4880

**Mexico:** 5900 Gateway East, Suite 200, EL PASO, TEXAS 79905,  
Tel. +9-5 800 234 7381

**Middle East:** see Italy

**Netherlands:** Postbus 90050, 5600 PB EINDHOVEN, Bldg. VB,  
Tel. +31 40 27 82785, Fax. +31 40 27 88399

**New Zealand:** 2 Wagener Place, C.P.O. Box 1041, AUCKLAND,  
Tel. +64 9 849 4160, Fax. +64 9 849 7811

**Norway:** Box 1, Manglerud 0612, OSLO,  
Tel. +47 22 74 8000, Fax. +47 22 74 8341

**Philippines:** Philips Semiconductors Philippines Inc.,  
106 Valero St. Salcedo Village, P.O. Box 2108 MCC, MAKATI,  
Metro MANILA, Tel. +63 2 816 6380, Fax. +63 2 817 3474

**Poland:** Ul. Lukiska 10, PL 04-123 WARSZAWA,  
Tel. +48 22 612 2831, Fax. +48 22 612 2327

**Portugal:** see Spain

**Romania:** see Italy

**Russia:** Philips Russia, Ul. Usatcheva 35A, 119048 MOSCOW,  
Tel. +7 095 755 6918, Fax. +7 095 755 6919

**Singapore:** Lorong 1, Toa Payoh, SINGAPORE 1231,  
Tel. +65 350 2538, Fax. +65 251 6500

**Slovakia:** see Austria

**Slovenia:** see Italy

**South Africa:** S.A. PHILIPS Pty Ltd., 195-215 Main Road Martindale,  
2092 JOHANNESBURG, P.O. Box 7430 Johannesburg 2000,  
Tel. +27 11 470 5911, Fax. +27 11 470 5494

**South America:** Rua do Rocio 220, 5th floor, Suite 51,  
04552-903 São Paulo, SÃO PAULO - SP, Brazil,  
Tel. +55 11 821 2333, Fax. +55 11 829 1849

**Spain:** Balmes 22, 08007 BARCELONA,  
Tel. +34 3 301 6312, Fax. +34 3 301 4107

**Sweden:** Kottbygatan 7, Akalla, S-16485 STOCKHOLM,  
Tel. +46 8 632 2000, Fax. +46 8 632 2745

**Switzerland:** Allmendstrasse 140, CH-8027 ZÜRICH,  
Tel. +41 1 488 2686, Fax. +41 1 481 7730

**Taiwan:** Philips Semiconductors, 6F, No. 96, Chien Kuo N. Rd., Sec. 1,  
TAIPEI, Taiwan Tel. +886 2 2134 2865, Fax. +886 2 2134 2874

**Thailand:** PHILIPS ELECTRONICS (THAILAND) Ltd.,  
209/2 Sanpavuth-Bangna Road Prakanong, BANGKOK 10260,  
Tel. +66 2 745 4090, Fax. +66 2 398 0793

**Turkey:** Talatpasa Cad. No. 5, 80640 GÜLTEPE/ISTANBUL,  
Tel. +90 212 279 2770, Fax. +90 212 282 6707

**Ukraine:** PHILIPS UKRAINE, 4 Patrice Lumumba str., Building B, Floor 7,  
252042 KIEV, Tel. +380 44 264 2776, Fax. +380 44 268 0461

**United Kingdom:** Philips Semiconductors Ltd., 276 Bath Road, Hayes,  
MIDDLESEX UB3 5BX, Tel. +44 181 730 5000, Fax. +44 181 754 8421

**United States:** 811 East Arques Avenue, SUNNYVALE, CA 94088-3409,  
Tel. +1 800 234 7381

**Uruguay:** see South America

**Vietnam:** see Singapore

**Yugoslavia:** PHILIPS, Trg N. Pasica 5/v, 11000 BEOGRAD,  
Tel. +381 11 625 344, Fax. +381 11 635 777

**For all other countries apply to:** Philips Semiconductors, Marketing & Sales Communications,  
Building BE-p, P.O. Box 218, 5600 MD EINDHOVEN, The Netherlands, Fax. +31 40 27 24825

**Internet:** <http://www.semiconductors.philips.com>

© Philips Electronics N.V. 1997

SCA54

All rights are reserved. Reproduction in whole or in part is prohibited without the prior written consent of the copyright owner.

The information presented in this document does not form part of any quotation or contract, is believed to be accurate and reliable and may be changed without notice. No liability will be accepted by the publisher for any consequence of its use. Publication thereof does not convey nor imply any license under patent- or other industrial or intellectual property rights.

Printed in The Netherlands

547047/1200/01/pp16

Date of release: 1997 May 26

Document order number: 9397 750 01589

*Let's make things better.*

**Philips**  
Semiconductors



**PHILIPS**