



TDA7565

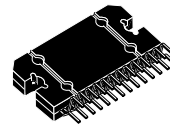
QUAD POWER AMPLIFIER WITH BUILT-IN VOLTAGE CONVERTER

PRODUCT PREVIEW

- DMOS POWER OUTPUT
- NON-SWITCHING HI-EFFICIENCY AMPLIFIER
- SWITCHING HIGH EFFICIENCY VOLTAGE CONVERTER
- HIGH OUTPUT POWER CAPABILITY 4x60W EIAJ/4Ω
- FULL I²C BUS DRIVING:
 - ST-BY
 - INDEPENDENT FRONT/REAR SOFT PLAY/MUTE
 - SELECTABLE GAIN 26dB - 12dB (FOR LOW NOISE LINE OUTPUT FUNCTION)
 - HIGH EFFICIENCY ENABLE/DISABLE
 - VOLTAGE CONVERTER ENABLE/DISABLE
 - REGULATED VOLTAGE SELECTION
 - SWITCHING FREQUENCY SELECTION
- HARDWARE MUTE FUNCTION
- FULL FAULT PROTECTION
- DC OFFSET DETECTION
- FOUR INDEPENDENT SHORT CIRCUIT PROTECTION
- CLIPPING DETECTOR WITH SELECTABLE THRESHOLD (1%/10%) VIA I²C BUS

MULTIPOWER BCD TECHNOLOGY

MOSFET OUTPUT POWER STAGE



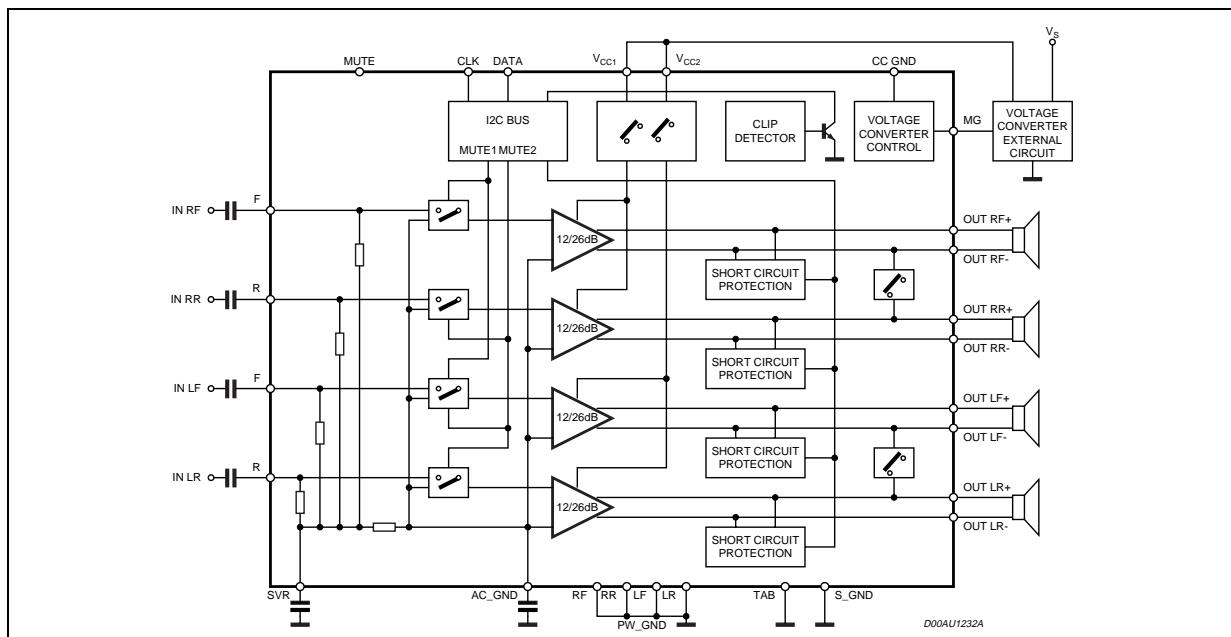
FLEXIWATT27

ORDERING NUMBER: TDA7565

DESCRIPTION

The TDA7565 is a new BCD technology QUAD BRIDGE type of car radio amplifier in Flexiwatt27 package specially intended for car radio applications. Thanks to the DMOS output stage the TDA7565 has a very low distortion allowing a clear powerful sound. The built-in voltage converter control block assures a very high output power with an extremely low number of added components. The dissipated power under average listening condition is aligned to the conventional solutions (4x40W).

BLOCK DIAGRAM



TDA7565

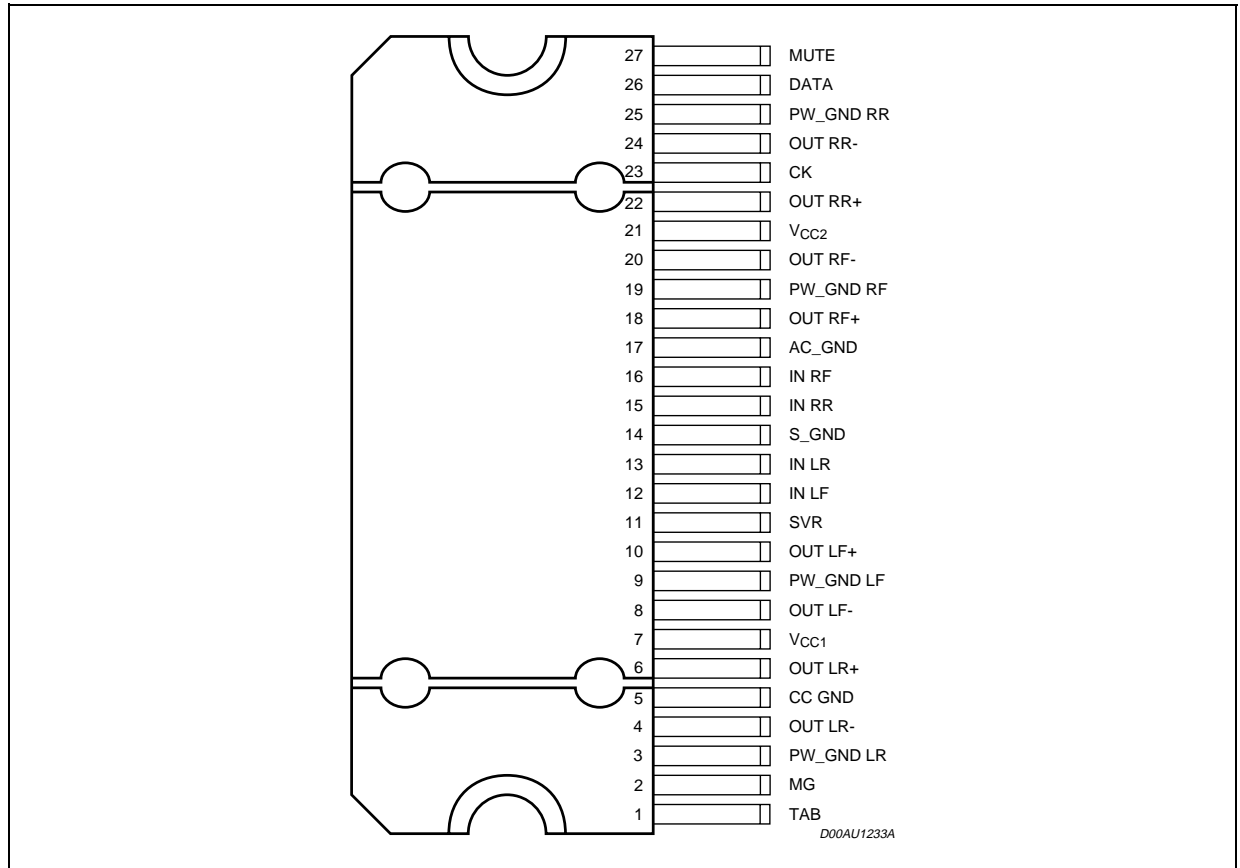
ABSOLUTE MAXIMUM RATINGS

Symbol	Parameter	Value	Unit
V _{opc OFF}	Operating Supply Voltage , converter OFF	18	V
V _{opc ON}	Operating Supply Voltage , converter ON	25	V
V _S	DC Supply Voltage	28	V
V _{peak}	Peak Supply Voltage (for t = 50ms)	50	V
V _{CK}	CK pin Voltage	6	V
V _{DATA}	Data Pin Voltage	6	V
I _O	Output Peak Current (not repetitive t = 100μs)	8	A
I _O	Output Peak Current (repetitive f > 10Hz)	6	A
P _{tot}	Power Dissipation T _{case} = 70°C	80	W
T _{stg} , T _j	Storage and Junction Temperature	-55 to 150	°C

THERMAL DATA

Symbol	Description	Value	Unit
R _{th j-case}	Thermal Resistance Junction-case	Max. 1	°C/W

PIN CONNECTION



ELECTRICAL CHARACTERISTICS

(Refer to the test circuit, $V_S = 13.5V$; $R_L = 4\Omega$; $f = 1KHz$; Voltage converter Disabled (V_{COff}); $T_{amb} = 25^\circ C$; unless otherwise specified.)

Symbol	Parameter	Test Condition	Min.	Typ.	Max.	Unit
POWER AMPLIFIER						
V_S	Supply Voltage Range		8		18	V
I_d	Total Quiescent Drain Current			180	300	mA
I_d	Total Quiescent Drain Current (V_{COn})			TBD		mA
P_O	Output Power (V_{COff}) $V = 14.4V$	EIAJ ($V_S = 13.7V$)		35		W
		THD = 10%		25		W
		THD = 1%		20		W
P_O	Output Power (V_{COn}) $V = 14.4V$	EIAJ ($V_S = 13.7V$)		60		W
		THD = 10%		40		W
		THD = 1%		31		W
THD	Total Harmonic Distortion	$P_O = 1W$ to $12W$; STDMODE HE MODE; $P_O = 1-2W$ HE MODE; $P_O = 4-12W$		0.03 0.03 0.1	0.1	% % %
		$P_O = 1-12W$, $f = 10kHz$		0.15	0.5	%
C_T	Cross Talk	$f = 1KHz$ to $10KHz$, $R_G = 600\Omega$	50	55		dB
R_{IN}	Input Impedance		60	100	130	K Ω
G_{V1}	Voltage Gain 1		25.5	26	26.5	dB
ΔG_{V1}	Voltage Gain Match 1		-1		1	dB
G_{V2}	Voltage Gain 2		11.5	12	12.5	dB
ΔG_{V2}	Voltage Gain Match 2		-1		1	dB
E_{IN1}	Output Noise Voltage 1	$R_g = 600\Omega$; $G_V = 26dB$ filter 20Hz to 22kHz		60	100	μV
E_{IN2}	Output Noise Voltage 2	$R_g = 600\Omega$; $G_V = 26dB$ filter 20Hz to 12kHz		15	20	μV
SVR	Supply Voltage Rejection	$f = 100Hz$ to $10kHz$; $V_r = 1Vpk$; $R_g = 600\Omega$	50	60		dB
BW	Power Bandwidth	(-3dB)	75			KHz
A_{SB}	Stand-by Attenuation		70	100		dB
I_{SB}	Stand-by Current				100	μA
A_M	Mute Attenuation		70	90		dB
V_{OS}	Offset Voltage	Mute & Play	-100		100	mV
V_{AM}	Min. Supply Voltage Threshold		6.5	7	7.5	V
	Slew Rate		1.5			V/ μs
T_{ON}	Turn on Delay	D2/D1 (IB1) 0 to 1		10	20	ms
T_{OFF}	Turn off Delay	D2/D1 (IB1) 1 to 0		10	20	ms
	Thermal Foldback Junction Temperature		155	170	185	$^\circ C$
CD _{THD}	Clip Det THD level	D0 (IB1) = 0	0	1	2	%
		D0 (IB1) = 1	5	10	15	%
V_O	Offset Detection	Power Amplifier = play AC Input = 0	± 1.5	± 2	± 2.5	V
T_{hw}	Thermal Warning			165		$^\circ C$
I²C BUS INTERFACE						
f_{SCL}	Clock Frequency				400	KHz
V_{IL}	Input Low Voltage				1.5	V
V_{IH}	Input High Voltage		2.3			V

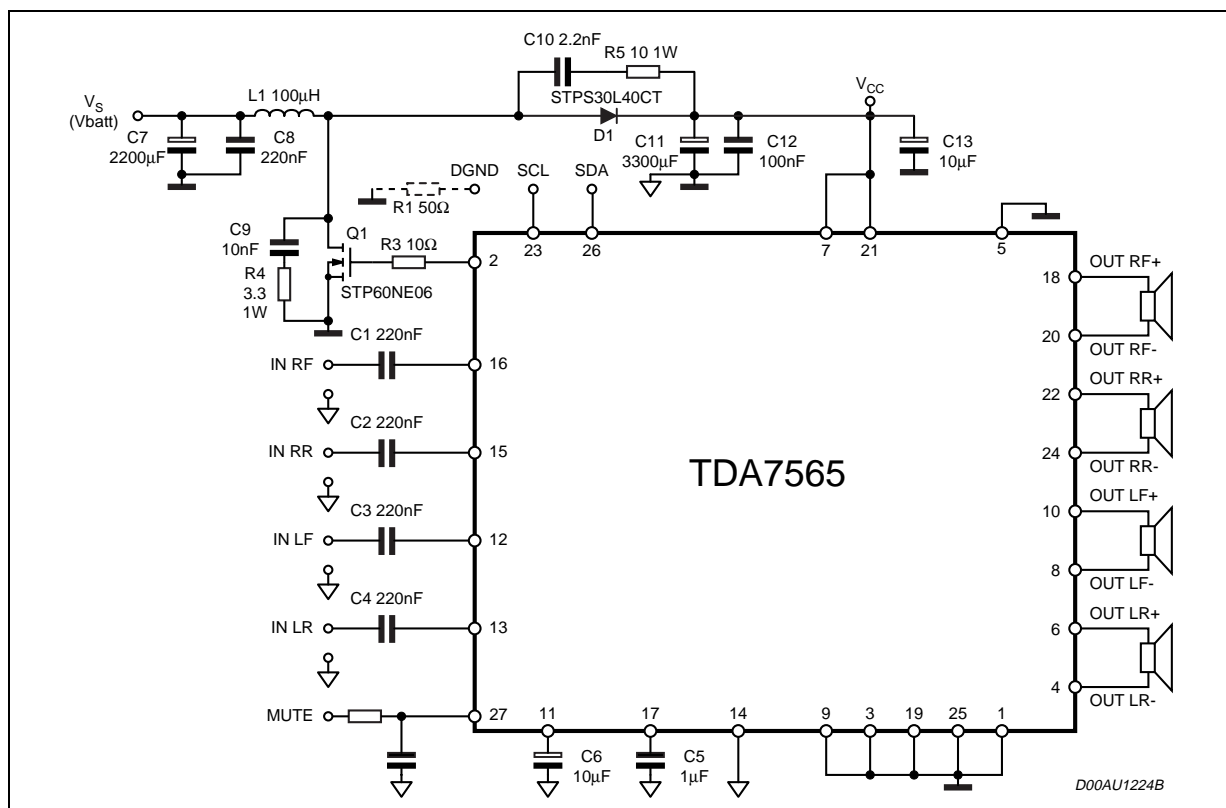
TDA7565

ELECTRICAL CHARACTERISTICS (continua)

(Refer to the test circuit, $V_S = 13.5V$; $R_L = 4\Omega$; $f = 1KHz$; Voltage converter Disabled (V_{Coff}); $T_{amb} = 25^\circ C$; unless otherwise specified.)

Symbol	Parameter	Test Condition	Min.	Typ.	Max.	Unit
$V_{Min}(pin27)$	Mute in Threshold Voltage	Amp. Mute			1.5	V
$V_{Mout}(pin27)$	Mute out Threshold Voltage		3.5			V
$A_M(pin 27)$	Mute Attenuation		80	90		
VOLTAGE CONVERTER						
V_{cc1}, V_{cc2}	Converter Output Voltage (VC = ON)	$V_S = 14V$ D3 (IB2) = 0; D6 (IB2) = 0 D3 (IB2) = 1; D6 (IB2) = 0 D3 (IB2) = 0; D6 (IB2) = 1 D3 (IB2) = 1; D6 (IB2) = 1		15 16.5 17.5 18.5		V V V V
F_s	Voltage Converter Switching Frequency	D6 (IB1) = 0; D7 (IB1) = 0 D6 (IB1) = 1; D7 (IB1) = 0 D6 (IB1) = 0; D7 (IB1) = 1 D6 (IB1) = 1; D7 (IB1) = 1		100 150 260 400		kHz kHz kHz kHz
V_{mgl}	Mos Gate Output Low Voltage	$I_o = 250mA$			1	V
V_{mgh}	Mos Gate Output High Voltage	$I_o = 20mA$		10.5		V
		$I_o = 200mA$		10		V
$V_{mgclamp}$	Mos Gate Output Clamp Voltage	$I_o = 5mA$		TBD		V
t_f	Fall Time	$C_o = 1nF$		20		ns
t_r	Rise Time	$C_o = 1nF$		50		ns
$V_{mgl} (V_{Coff})$	Mos Gate Output Voltage with Voltage Converter Disabled	$I_o = 5mA$			0.5	V

Figure 1. Demoboard Schematic



I²C BUS INTERFACE

Data transmission from microprocessor to the TDA7565 and viceversa takes place through the 2 wires I²C BUS interface, consisting of the two lines SDA and SCL (pull-up resistors to positive supply voltage must be connected).

Data Validity

As shown by fig. 2, the data on the SDA line must be stable during the high period of the clock. The HIGH and LOW state of the data line can only change when the clock signal on the SCL line is LOW.

Start and Stop Conditions

As shown by fig. 3 a start condition is a HIGH to LOW transition of the SDA line while SCL is HIGH. The stop condition is a LOW to HIGH transition of the SDA line while SCL is HIGH.

Byte Format

Every byte transferred to the SDA line must contain 8 bits. Each byte must be followed by an acknowledge bit. The MSB is transferred first.

Acknowledge

The transmitter* puts a resistive HIGH level on the SDA line during the acknowledge clock pulse (see fig. 22). The receiver** the acknowledges has to pull-down (LOW) the SDA line during the acknowledge clock pulse, so that the SDA line is stable LOW during this clock pulse.

* Transmitter

master (μ P) when it writes an address to the TDA7565

slave (TDA7565) when the μ P reads a data byte from TDA7565

** Receiver

slave (TDA7565) when the μ P writes an address to the TDA7565

master (μ P) when it reads a data byte from TDA7565

Figure 2. Data Validity on the I²C BUS

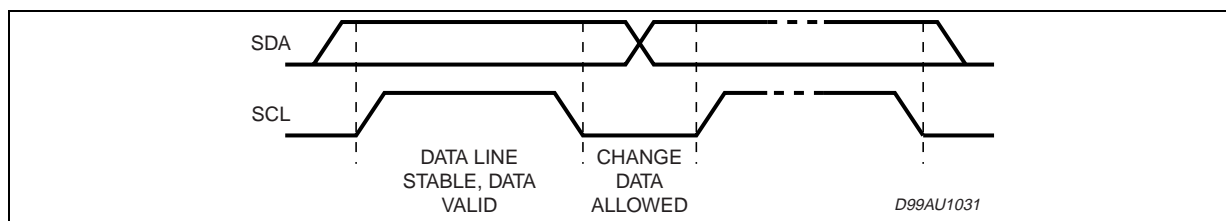


Figure 3.

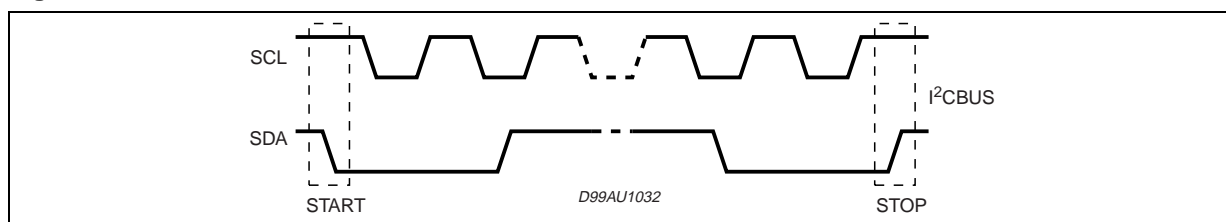
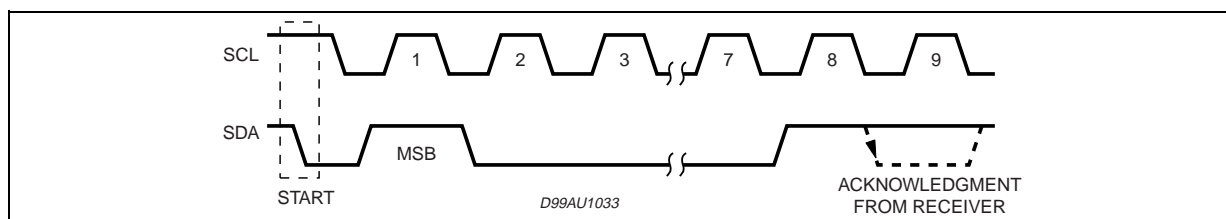


Figure 4.



SOFTWARE SPECIFICATIONS

All the functions of the TDA7565 are activated by I²C interface.

The bit 0 of the "ADDRESS BYTE" defines if the next bytes are write instruction (from μP to TDA7565) or read instruction (from TDA7565 to μP).

D7	Address bit
D6	Address bit
D5	Address bit
D4	Address bit
D3	Address bit
D2	Address bit
D1	Address bit
D0(R/W)	Read/Write bit 0 = Write instruction 1 = read instruction

If R/W = 0, the μP sends 2 "Instruction Bytes": IB1 and IB2.

IB1

D7	Sel Freq Switch 1
D6	Sel Freq Switch 2
D5	Offset Detection start (D5 = 1) Offset Detection stop (D5 = 0) (off)
D4	Front Channel Gain = 26dB (D4 = 0) Gain = 12dB (D4 = 1)
D3	Rear Channel Gain = 26dB (D3 = 0) Gain = 12dB (D3 = 1)
D2	Mute front channels (D2 = 0) Unmute front channels (D2 = 1)
D1	Mute rear channels (D1 = 0) Unmute rear channels (D1 = 1)
D0	CD 1% (D0 = 0) CD 10% (D0 = 1)

IB2

D7	Voltage Converter Enabled (D7 = 1) Voltage Converter Disabled (D7 = 0)
D6	Regulated voltage selection 1
D5	Test Speed
D4	Stand-by on - Amplifier not working - (D4 = 0) Stand-by off - Amplifier working - (D4 = 1)
D3	Regulated voltage selection 0)
D2	To be forced to "Level 1"
D1	Right Channel Power amplifier working in standard mode (D1 = 0) Power amplifier working in HiEff mode(D1 = 1)
D0	Left Channel Power amplifier working in standard mode (D0 = 0) Power amplifier working in HiEff mode(D0 = 1)

DB1

D7	Thermal Warning
D6	X
D5	X
D4	X
D3	X
D2	Offset (LF)
D1	Short Circuit Protection (CH1)
D0	X

DB2

D7	Off Status
D6	X
D5	Clip Detector Output
D4	X
D3	X
D2	Offset (LR)
D1	Short Circuit Protection (CH2)
D0	X

DB3

D7	St-By Status
D6	X
D5	X
D4	X
D3	X
D2	Offset (RF)
D1	Short Circuit Protection (CH3)
D0	X

DB4

D7	X
D6	X
D5	X
D4	X
D3	X
D2	Offset (RR)
D1	Short Circuit Protection (CH4)
D0	X

Examples of bytes sequence

1 - Turn-On of the power amplifier with 26dB gain, mute on, diagnostic defeat, HighEff mode, voltage converter disabled.

Start	Address byte with D0 = 0	ACK	IB1	ACK	IB2	ACK	STOP
			XX00X000		0XX1XX10		

2 - Turn-Off of the power amplifier

Start	Address byte with D0 = 0	ACK	IB1	ACK	IB2	ACK	STOP
			XXXXXXXX		XXX0XXX0		

4 - Offset detection procedure start

Start	Address byte with D0 = 0	ACK	IB1	ACK	IB2	ACK	STOP
			XX1XX11X		XXX1XXX0		

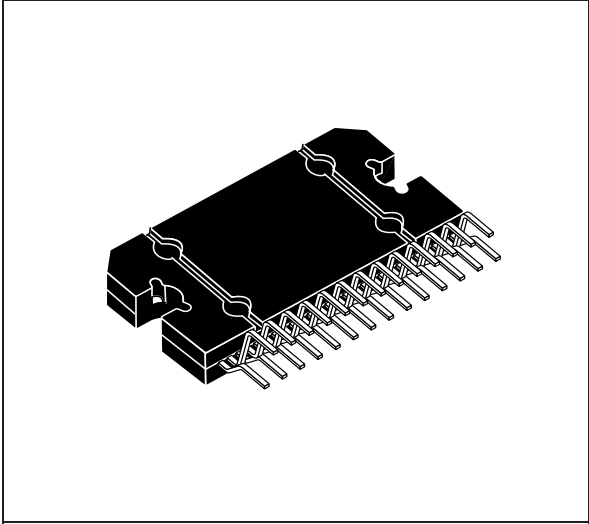
4 - Offset detection procedure stop and reading operation.

Start	Address byte with D0 = 1	ACK	DB1	STOP
-------	--------------------------	-----	-----	------

- The purpose of this test is to check if a D.C. offset (2V typ.) is present on the outputs, produced by input capacitor with anomalous leakage current or humidity between pins.
- The delay from 3 to 4 can be selected by software, starting from T.B.D. ms

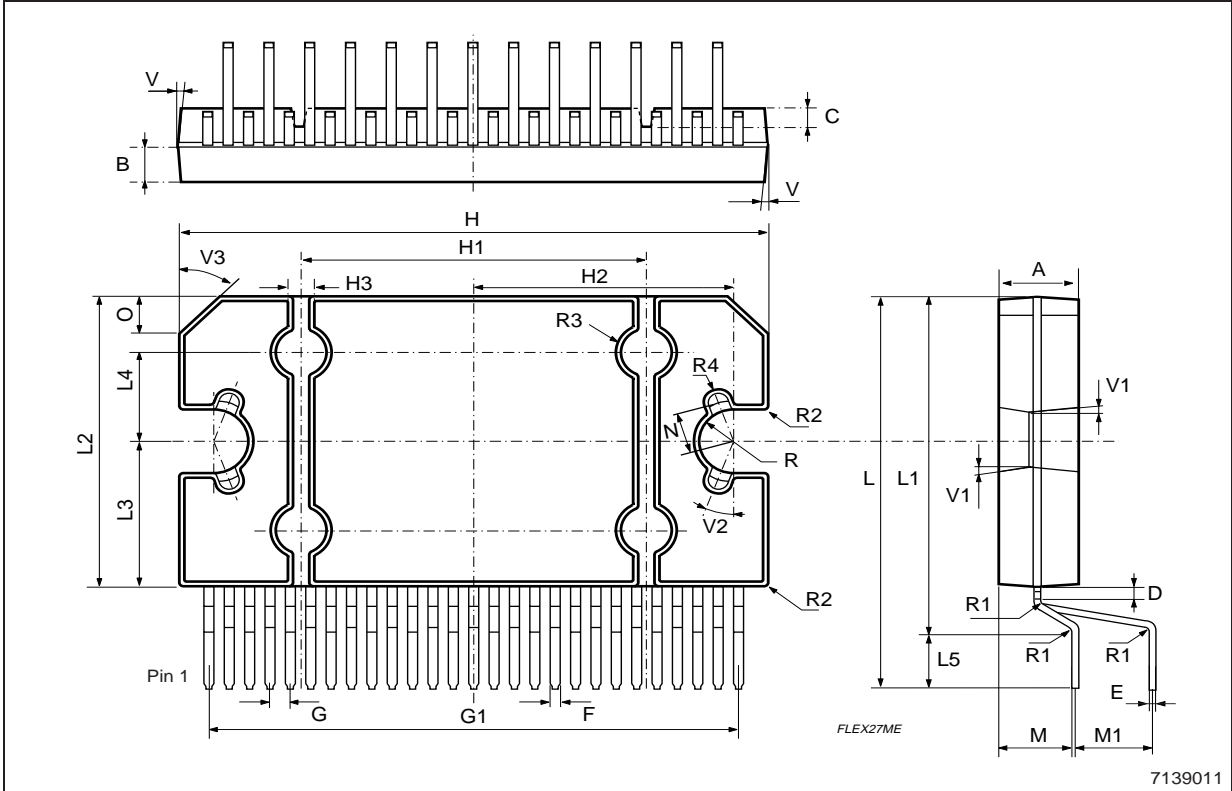
DIM.	mm			inch		
	MIN.	TYP.	MAX.	MIN.	TYP.	MAX.
A	4.45	4.50	4.65	0.175	0.177	0.183
B	1.80	1.90	2.00	0.070	0.074	0.079
C		1.40			0.055	
D	0.75	0.90	1.05	0.029	0.035	0.041
E	0.37	0.39	0.42	0.014	0.015	0.016
F (1)			0.57			0.022
G	0.80	1.00	1.20	0.031	0.040	0.047
G1	25.75	26.00	26.25	1.014	1.023	1.033
H (2)	28.90	29.23	29.30	1.139	1.150	1.153
H1		17.00			0.669	
H2		12.80			0.503	
H3		0.80			0.031	
L (2)	22.07	22.47	22.87	0.869	0.884	0.904
L1	18.57	18.97	19.37	0.731	0.747	0.762
L2 (2)	15.50	15.70	15.90	0.610	0.618	0.626
L3	7.70	7.85	7.95	0.303	0.309	0.313
L4		5			0.197	
L5		3.5			0.138	
M	3.70	4.00	4.30	0.145	0.157	0.169
M1	3.60	4.00	4.40	0.142	0.157	0.173
N		2.20			0.086	
O		2			0.079	
R		1.70			0.067	
R1		0.5			0.02	
R2		0.3			0.12	
R3		1.25			0.049	
R4		0.50			0.019	
V			5° (Typ.)			
V1			3° (Typ.)			
V2			20° (Typ.)			
V3			45° (Typ.)			

OUTLINE AND MECHANICAL DATA



Flexiwatt27 (vertical)

(1): dam-bar protusion not included
 (2): molding protusion included



Information furnished is believed to be accurate and reliable. However, STMicroelectronics assumes no responsibility for the consequences of use of such information nor for any infringement of patents or other rights of third parties which may result from its use. No license is granted by implication or otherwise under any patent or patent rights of STMicroelectronics. Specifications mentioned in this publication are subject to change without notice. This publication supersedes and replaces all information previously supplied. STMicroelectronics products are not authorized for use as critical components in life support devices or systems without express written approval of STMicroelectronics.

The ST logo is a registered trademark of STMicroelectronics.
All other names are the property of their respective owners

© 2003 STMicroelectronics - All rights reserved

STMicroelectronics GROUP OF COMPANIES

Australia - Belgium - Brazil - Canada - China - Czech Republic - Finland - France - Germany - Hong Kong - India - Israel - Italy - Japan -
Malaysia - Malta - Morocco - Singapore - Spain - Sweden - Switzerland - United Kingdom - United States
www.st.com