



# TDA7512

## AM/FM CAR RADIO TUNER IC WITH INTELLIGENT SELECTIVITY SYSTEM (ISS)

PRELIMINARY DATA

### FM-PART

- RF AGC GENERATION BY RF AND IF DETECTION
- I/Q MIXER FOR 1ST FM IF 10.7MHz WITH IMAGE REJECTION
- 2 PROGRAMMABLE IF-GAIN STAGES
- MIXER FOR 2<sup>nd</sup> IF 450KHz
- INTERNAL 450KHz BANDPASS FILTER WITH THREE BANDWIDTHS CONTROLLED BY ISS
- FULLY INTEGRATED FM-DEMODULATOR WITH NOISE CANCELLATION

### AM-PART

- WIDE AND NARROW AGC GENERATION
- PREAMPLIFIER AND MIXER FOR 1ST IF 10.7MHz, AM UPCONVERSION
- MIXER FOR 2<sup>nd</sup> IF 450KHz
- INTEGRATED AM-DEMODULATOR
- OUTPUT FOR AM-STEREO-DECODER

### ADDITIONAL FEATURES

- VCO FOR WORLD TUNING RANGE
- HIGH PERFORMANCE FAST PLL FOR RDS-SYSTEM
- IF COUNTER FOR FM AND AM WITH SEARCH STOP SIGNAL
- QUALITY DETECTOR FOR LEVEL, DEVIATION, ADJACENT CHANNEL AND MULTIPATH
- QUALITY DETECTION INFORMATIONS AS ANALOG SIGNALS EXTERNAL AVAILABLE

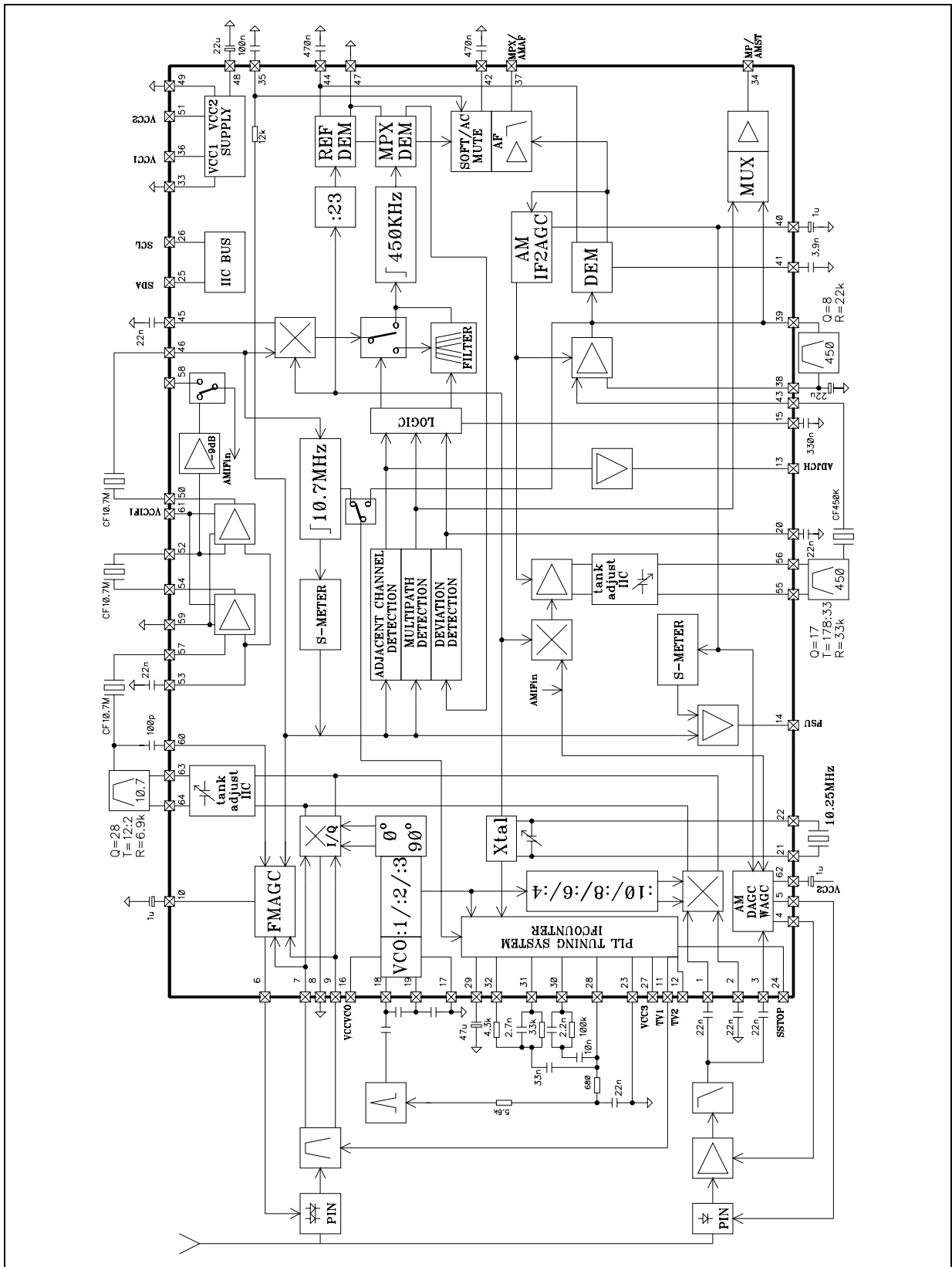


- ISS (INTELLIGENT SELECTIVITY SYSTEM) FOR CANCELLATION OF ADJACENT CHANNEL AND NOISE INFLUENCES
- ADJACENT CHANNEL MUTE
- FULLY ELECTRONIC ALIGNMENT
- ALL FUNCTIONS I<sup>2</sup>C-BUS CONTROLLED
- ISS FILTER STATUS INFORMATION I<sup>2</sup>C-BUS READABLE

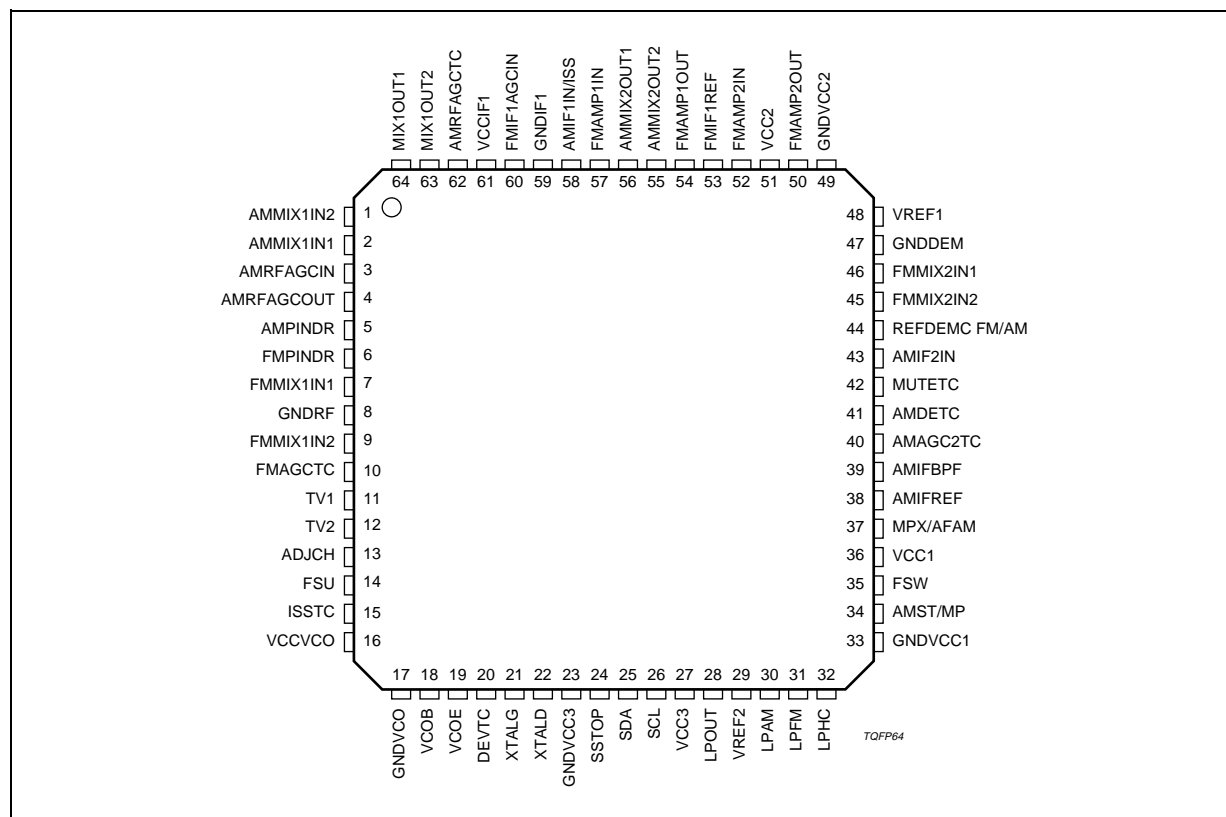
### DESCRIPTION

The TDA7512 is a high performance tuner circuit for AM/FM car radio. It contains mixer, IF amplifier, demodulator for AM and FM, quality detection, ISS filter and PLL synthesizer with IF counter on a single chip. Use of BICMOS technology allows the implementation of several tuning functions and a minimum of external components.

BLOCK DIAGRAM



## PIN CONNECTION (Top view)



## PIN DESCRIPTION

N°	Pin Name	Function
1	AMMIX1IN2	AM Input2 Mixer1
2	AMMIX1IN1	AM Input1 Mixer1
3	AMRFAGCIN	Input AM RF AGC
4	AMRFAGCOUT	Output AM RF AGC
5	AMPINDR	AM PIN Diode Driver Output
6	FMPINDR	FM PIN Diode Driver Output
7	FMMIX1IN1	FM Input1 Mixer1
8	GNDRF	RF Ground
9	FMMIX1IN2	FM Input2 Mixer1
10	FMAGCTC	FM AGC Time Constant
11	TV1	Tuning Voltage Preselection1
12	TV2	Tuning Voltage Preselection2
13	ADJCH	Ident. Adjacent Channel Output

## PIN DESCRIPTION (continued)

N°	Pin Name	Function
14	FSU	Unweighted Fieldstrength Output
15	ISSTC	Time Constant for ISS Filter Switch
16	VCCVCO	VCO Supply
17	GNDVCO	VCO Ground
18	VCOB	VCO Input Base
19	VCOE	VCO Output Emitter
20	DEVTC	Deviation Detector Time Constant
21	XTALG	Xtal Oscillator to MOS Gate
22	XTALD	Xtal Oscillator to MOS Drain
23	GNDVCC3	VCC3 Ground
24	SSTOP	Search Stop Output
25	SDA	I <sup>2</sup> C-Bus Data
26	SCL	I <sup>2</sup> C-Bus Clock
27	VCC3	Supply Tuning Voltage
28	LPOUT	Op Amp Output to PLL Loop Filters
29	VREF2	Voltage Reference for PLL Op Amp
30	LPAM	Op Amp Input to PLL Loop Filters AM
31	LPFM	Op Amp Input to PLL Loop Filters FM
32	LPHC	High Current PLL Loop Filter Input
33	GNDVCC1	Digital Ground
34	AMST/MP	AM Stereo Out / Ident. Multipath Output
35	FSW	Weighted Fieldstrength Output
36	VCC1	Digital Supply
37	MPX/AFAM	MPX Output / AM AF Output
38	AMIFREF	Reference Voltage AM IF Amp
39	AMIFBPF	AM IF Filter
40	AMAGC2TC	AM AGC2 Time Constant
41	AMDETC	AM Detector Capacitor
42	MUTETC	Softmute Time Constant
43	AMIF2IN	Input AM IF2
44	REFDEMC FM/AM	Demodulator Reference FM/AM
45	FMMIX2IN2	FM IF1 MIX2 Input1

**PIN DESCRIPTION** (continued)

N°	Pin Name	Function
46	FMMIX2IN1	FM IF1 MIX2 Input2
47	GNDDEM	Ground FM Demodulator
48	VREF1	Reference 5V
49	GNDVCC2	Analog Ground
50	FMAMP2OUT	FM IF1 Amplifier2 Output
51	VCC2	Analog Supply
52	FMAMP2IN	FM IF1 Amplifier2 Input
53	FMIF1REF	FM IF1 Amplifier Reference
54	FMAMP1OUT	FM IF1 Amplifier1 Output
55	AMMIX2OUT2	AM Tank 450kHz
56	AMMIX2OUT1	AM Tank 450kHz
57	FMAMP1IN	FM IF1 Amplifier1 Input
58	AMIF1IN/ISS	AM IF1 Input/ISS filter status
59	GNDIF1	FM IF1 Ground
60	FMIF1AGCIN	FM IF1 AGC Input
61	VCCIF1	IF1 Supply
62	AMRFAGCTC	AM RF AGC Time Constant
63	MIX1OUT2	MIX Tank 10.7MHz
64	MIX1OUT1	MIX Tank 10.7MHz

**THERMAL DATA****Table 1.**

Symbol	Parameter	Value	Unit
$R_{th(j-a)}$	Thermal resistance junction to ambient	68 max.	°C/W

**ABSOLUTE MAXIMUM RATINGS****Table 2.**

Symbol	Parameter	Value	Unit
$V_S$	Supply Voltage	10.5	V
$T_{amb}$	Ambient Temperature	-40 to 85	°C
$T_{stg}$	Storage Temperature	-55 to +150	°C

**Table 3. ELECTRICAL CHARACTERISTICS**

T<sub>amb</sub> = +25°C, V<sub>CC1</sub> = V<sub>CC2</sub> = V<sub>CC3</sub> = V<sub>CCVCO</sub> = V<sub>CCMIX1</sub> = V<sub>CCIF1</sub> = 8.5V, f<sub>RF</sub> = 98MHz, dev. = 40kHz, f<sub>MOD</sub> = 1kHz, f<sub>IF1</sub> = 10.7MHz, f<sub>IF2</sub> = 450KHz, f<sub>Xtal</sub> = 10.25MHz, in application circuit, unless otherwise specified.

Symbol	Parameter	Test Condition	Min.	Typ.	Max.	Unit
<b>Supply</b>						
V <sub>CC1</sub>	Digital supply voltage		7.5	8.5	10	V
V <sub>CC2</sub>	Analog supply voltage		7.5	8.5	10	V
V <sub>CC3</sub>	Analog tuning voltage		7.5	8.5	10	V
V <sub>CCVCO</sub>	VCO supply voltage		7.5	8.5	10	V
V <sub>CCMIX1</sub>	MIX1 supply voltage		7.5	8.5	10	V
V <sub>CCMIX2</sub>	MIX2 supply voltage		7.5	8.5	10	V
V <sub>CCIF1</sub>	IF1 supply voltage		7.5	8.5	10	V
I <sub>CC1</sub>	Supply current	FM ON		7.5		mA
I <sub>CC1</sub>	Supply current	AM ON		10		mA
I <sub>CC2</sub>	Supply current	FM ON / VCO:3		70		mA
I <sub>CC2</sub>	Supply current	AM ON		70		mA
I <sub>CC3</sub>	Supply current			2		mA
I <sub>CCVCO</sub>	Supply current			9		mA
I <sub>CCMIX1</sub>	Supply current	FM ON		8		mA
I <sub>CCMIX1</sub>	Supply current	AM ON		7		mA
I <sub>CCMIX2</sub>	Supply current	AM ON		7		mA
I <sub>CCIF1</sub>	Supply current			6		mA
<b>Reference Voltages</b>						
V <sub>REF1</sub>	Internal reference voltage	I <sub>REF1</sub> = 0mA		5		V
V <sub>REF2</sub>	Internal reference voltage	I <sub>REF2</sub> = 0mA		2.5		V
<b>Wide Band RF AGC</b>						
V <sub>7-9</sub>	Lower threshold start	V <sub>10</sub> = 2.5V		85		dBμV
V <sub>7-9</sub>	Upper threshold start	V <sub>10</sub> = 2.5V		96		dBμV
<b>Narrow Band IF &amp; Keying AGC</b>						
V <sub>60</sub>	Lower threshold start	KAGC = off, V <sub>7-9</sub> = 0mV <sub>RMS</sub>		86		dBμV
V <sub>60</sub>	Upper threshold start	KAGC = off, V <sub>7-9</sub> = 0mV <sub>RMS</sub>		98		dBμV

**Table 3. ELECTRICAL CHARACTERISTICS** (continued)

$T_{amb} = +25^{\circ}\text{C}$ ,  $V_{CC1} = V_{CC2} = V_{CC3} = V_{CCVCO} = V_{CCMIX1} = V_{CCIF1} = 8.5\text{V}$ ,  $f_{RF} = 98\text{MHz}$ , dev. = 40kHz,  $f_{MOD} = 1\text{kHz}$ ,  $f_{IF1} = 10.7\text{MHz}$ ,  $f_{IF2} = 450\text{kHz}$ ,  $f_{Xtal} = 10.25\text{MHz}$ , in application circuit, unless otherwise specified.

Symbol	Parameter	Test Condition	Min.	Typ.	Max.	Unit
$V_{60}$	Lower threshold start with KAGC	KAGC = max, $V_{7-9} = 0\text{mV}_{RMS}$ , $\Delta f_{IF} = 300\text{kHz}$		98		$\text{dB}\mu\text{V}$
$V_{35}$	Startpoint KAGC	KAGC = max, $V_{7-9} = 0\text{mV}_{RMS}$ , $\Delta f_{IF} = 300\text{kHz}$ $f_{IF1}$ generate FSW level at $V_{35}$		3.6		V
$\Delta$	Control range KAGC	$\Delta V_{35} = +0.4\text{V}$		16		dB
$R_{IN}$	Input resistance			10		$\text{k}\Omega$
$C_{IN}$	Input capacitance			2.5		pF
<b>AGC Time Constant Output</b>						
$V_{10}$	Max. AGC output voltage	$V_{7-9} = 0\text{mV}_{RMS}$			$V_{REF1} + V_{BE}$	V
$V_{10}$	Min. AGC output voltage	$V_{7-9} = 50\text{mV}_{RMS}$			0.5	V
$I_{10}$	Min. AGC charge current	$V_{7-9} = 0\text{mV}_{RMS}$ , $V_{10} = 2.5\text{V}$		-12.5		$\mu\text{A}$
$I_{10}$	Max. AGC discharge current	$V_{7-9} = 50\text{mV}_{RMS}$ , $V_{10} = 2.5\text{V}$		1.25		mA
<b>AGC PIN Diode Driver Output</b>						
$I_6$	AGC OUT, current min.	$V_{7-9} = 0\text{mV}_{RMS}$ , $V_6 = 2.5\text{V}$		50		$\mu\text{A}$
$I_6$	AGC OUT, current max.	$V_{7-9} = 50\text{mV}_{RMS}$ , $V_6 = 2.5\text{V}$		-20		mA
<b>I/Q Mixer1 (10.7MHz)</b>						
$R_{IN}$	Input resistance	differential		10		$\text{k}\Omega$
$C_{IN}$	Input capacitance	differential		4		pF
$R_{OUT}$	Output resistance	differential	100			$\text{k}\Omega$
$V_{7,9}$	Input dc bias			3.2		V
$g_m$	Conversion transconductance			17		mS
F	Noise figure	400 $\Omega$ generator resistance		3		dB
$CP_{1dB}$	1dB compression point	referred to diff. mixer input		100		$\text{dB}\mu\text{V}$
IIP3	3rd order intermodulation			122		$\text{dB}\mu\text{V}$
IQG	I/Q gain adjust	G	-1		+1	%
IQP	I/Q phase adjust	PH	-7		+8	DEG
IRR	Image rejection ratio	ratio wanted/image	30	40		dB
IRR	Image rejection ratio	with gain and phase adjust	40	46		dB

**Table 3. ELECTRICAL CHARACTERISTICS** (continued)

T<sub>amb</sub> = +25°C, V<sub>CC1</sub> = V<sub>CC2</sub> = V<sub>CC3</sub> = V<sub>CCVCO</sub> = V<sub>CCMIX1</sub> = V<sub>CCIF1</sub> = 8.5V, f<sub>RF</sub> = 98MHz, dev. = 40kHz, f<sub>MOD</sub> = 1kHz, f<sub>IF1</sub> = 10.7MHz, f<sub>IF2</sub> = 450KHz, f<sub>Xtal</sub> = 10.25MHz, in application circuit, unless otherwise specified.

Symbol	Parameter	Test Condition	Min.	Typ.	Max.	Unit
<b>IF1 Amplifier1 +2 (10.7MHz)</b>						
G <sub>min</sub>	Min. gain	IFG		18		dB
G <sub>max</sub>	Max. gain	IFG		26		dB
R <sub>IN</sub>	Input resistance			330		Ω
R <sub>OUT</sub>	Output resistance			330		Ω
CP <sub>1dB</sub>	1dB compression point	referred to 330Ω input		105		dBμV
IIP3	3rd order Intermodulation	referred to 330Ω input		126		dBμV
<b>Mixer2 (450kHz)</b>						
R <sub>IN</sub>	Input impedance			330		Ω
V <sub>46</sub>	Max. input voltage			900		mV <sub>RMS</sub>
V <sub>48</sub>	Limiting sensitivity	S/N = 20dB		25		μV
G	Mixer gain			18		dB
<b>Limiter 1 (450kHz)</b>						
G <sub>Limiter</sub>	Gain			80		dB
<b>Demodulator, Audio Output</b>						
THD		Dev.= 75kHz, V <sub>46</sub> = 10mV <sub>RMS</sub>			0.1	%
V <sub>MPX</sub>	MPX output signal	Dev.= 75kHz		500		mV <sub>RMS</sub>
R <sub>OUT</sub>	Output resistance			50		Ω
ΔV  <sub>min</sub>	DC offset fine adjust	DEM, MENA=1		8.5		mV
ΔV  <sub>max</sub>	DC offset fine adjust	DEM, MENA=1		264		mV
S/N		Dev.= 40kHz, V <sub>46</sub> = 10mV <sub>RMS</sub>		76		dB
<b>Quality Detection</b>						
<b>S-meter, Unweighted Fieldstrength</b>						
V <sub>46</sub>	Min. input voltage MIX2			10		μV
V <sub>14</sub>	Fieldstrength output	V <sub>46</sub> = 0V <sub>RMS</sub>		0.1		V
V <sub>14</sub>	Fieldstrength output	V <sub>46</sub> = 1V <sub>RMS</sub>		4.9		V
ΔV <sub>14</sub>	voltage per decade	SMSL = 0		1		V
ΔV <sub>14</sub>	voltage per decade	SMSL = 1		1.5		V



**Table 3. ELECTRICAL CHARACTERISTICS** (continued)

$T_{amb} = +25^{\circ}\text{C}$ ,  $V_{CC1} = V_{CC2} = V_{CC3} = V_{CCVCO} = V_{CCMIX1} = V_{CCIF1} = 8.5\text{V}$ ,  $f_{RF} = 98\text{MHz}$ , dev. = 40kHz,  $f_{MOD} = 1\text{kHz}$ ,  $f_{IF1} = 10.7\text{MHz}$ ,  $f_{IF2} = 450\text{kHz}$ ,  $f_{Xtal} = 10.25\text{MHz}$ , in application circuit, unless otherwise specified.

Symbol	Parameter	Test Condition	Min.	Typ.	Max.	Unit
$\Delta V_{14}$	S-meter offset	SL, SMSL=1	-15		15	dB
$R_{OUT}$	Output resistance			200		$\Omega$
TK	Temp coeff.			0		ppm/K
<b>S-meter, Weighted Fieldstrength</b>						
$V_{35}$	Fieldstrength output	$V_{46} = 0V_{RMS}$		2.5		V
$V_{35}$	Fieldstrength output	$V_{46} = 1V_{RMS}$		4.9		V
$R_{OUT}$	Output resistance			12		k $\Omega$
<b>Adjacent Channel Gain</b>						
$G_{min}$	Gain minimum	ACG=0		32		dB
$G_{max}$	Gain maximum	ACG=1		38		dB
<b>Adjacent Channel Filter</b>						
$f_{HP}$	-3dB frequency highpass	ACF=0		100		kHz
$f_{BP}$	Centre frequency	ACF=1		100		kHz
$f_{-20dB}$	Attenuation 20dB			70		kHz
<b>Adjacent Channel Output</b>						
$V_{13}$	Output voltage low			0.1		V
$V_{13}$	Output voltage high			4.9		V
$R_{OUT}$	Output resistance			4		k $\Omega$
<b>Multipath Channel Gain</b>						
$G_{min}$	Gain minimum	MPG=0		12		dB
$G_{max}$	Gain maximum	MPG=1		23		dB
<b>Multipath Bandpass Filter</b>						
$f_{Lower}$	Centre frequency low	MPF=0		19		kHz
$f_{Upper}$	Centre frequency up	MPF=1		31		kHz
Q	Quality factor		5		10	
<b>Multipath Output</b>						
$V_{34}$	Output voltage low			0.1		V
$V_{34}$	Output voltage high			4.9		V
$R_{OUT}$	Output resistance			2.5		k $\Omega$

**Table 3. ELECTRICAL CHARACTERISTICS** (continued)

$T_{amb} = +25^{\circ}\text{C}$ ,  $V_{CC1} = V_{CC2} = V_{CC3} = V_{CCVCO} = V_{CCMIX1} = V_{CCIF1} = 8.5\text{V}$ ,  $f_{RF} = 98\text{MHz}$ , dev. = 40kHz,  $f_{MOD} = 1\text{kHz}$ ,  $f_{IF1} = 10.7\text{MHz}$ ,  $f_{IF2} = 450\text{kHz}$ ,  $f_{Xtal} = 10.25\text{MHz}$ , in application circuit, unless otherwise specified.

Symbol	Parameter	Test Condition	Min.	Typ.	Max.	Unit
<b>ISS (intelligent Selectivity System)</b>						
<b>Filter 450kHz</b>						
$f_{centre}$	Centre frequency	$f_{REF\_intern} = 450\text{kHz}$		450		kHz
BW 3dB	Bandwidth, -3dB	ISS80 = 1		80		kHz
BW 20dB	Bandwidth, -20dB	ISS80 = 1		150		kHz
BW 3dB	Bandwidth, -3dB	ISS80 = 0		120		kHz
BW 20dB	Bandwidth, -20dB	ISS80 = 0		250		kHz
BW 3dB	Bandwidth weather band	ISS30 = 1		30		kHz
BW 20dB	-20dB weather band	ISS30 = 1		80		kHz
<b>Adjacent Channel ISS Filter Threshold</b>						
$V_{NTH}$	Internal low threshold	ACNTH		0		V
$V_{NTH}$	Internal high threshold	ACNTH		0.3		V
$V_{WTH}$	Internal low threshold	ACWTH		0.25		V
$V_{WTH}$	Internal high threshold	ACWTH		0.95		V
<b>Multipath Threshold</b>						
$V_{THMP}$	Internal low threshold	MPTH		0.50		V
$V_{THMP}$	Internal high threshold	MPTH		1.25		V
<b>ISS Filter Time Constant</b>						
$I_{15}$	Charge current low mid	TISS, ISSCTL = 1		-74		$\mu\text{A}$
$I_{15}$	Charge current high mid	TISS, ISSCTL = 1		-60		$\mu\text{A}$
$I_{15}$	Charge current low narrow	TISS, ISSCTL = 1		-124		$\mu\text{A}$
$I_{15}$	Charge current high narrow	TISS, ISSCTL = 1		-110		$\mu\text{A}$
$I_{15}$	Discharge current low	TISS, ISSCTL = 0		1		$\mu\text{A}$
$I_{15}$	Discharge current high	TISS, ISSCTL = 0		15		$\mu\text{A}$
$V_{15}$	Low voltage	ISSCTL = 0		0.1		V

**Table 3. ELECTRICAL CHARACTERISTICS** (continued)

$T_{amb} = +25^{\circ}\text{C}$ ,  $V_{CC1} = V_{CC2} = V_{CC3} = V_{CCVCO} = V_{CCMIX1} = V_{CCIF1} = 8.5\text{V}$ ,  $f_{RF} = 98\text{MHz}$ , dev. = 40kHz,  $f_{MOD} = 1\text{kHz}$ ,  $f_{IF1} = 10.7\text{MHz}$ ,  $f_{IF2} = 450\text{kHz}$ ,  $f_{Xtal} = 10.25\text{MHz}$ , in application circuit, unless otherwise specified.

Symbol	Parameter	Test Condition	Min.	Typ.	Max.	Unit
V <sub>15</sub>	High voltage	ISSCTL = 1		4.9		V
<b>ISS Filter Switch Threshold</b>						
V <sub>15</sub>	Threshold ISS on	ISSCTL = 0		3		V
V <sub>15</sub>	Threshold ISS off	ISSCTL = 0		1		V
V <sub>15</sub>	Threshold ISS narrow on	ISSCTL = 0		4		V
V <sub>15</sub>	Threshold ISS narrow off	ISSCTL = 0		2		V
I <sub>20</sub>	Charge current low	TDEV		-20		μA
I <sub>20</sub>	Charge current high	TDEV		-34		μA
I <sub>20</sub>	Discharge current low	TDEV		6		μA
I <sub>20</sub>	Discharge current high	TDEV		20		μA
DEV <sub>WTH</sub>	Internal low threshold	DWTH		30		kHz
DEV <sub>WTH</sub>	Internal high threshold	DWTH		75		kHz
RATIO <sub>mi</sub> <sub>n</sub>	Referred to threshold	DTH		1		
RATIO <sub>m</sub> <sub>ax</sub>	Referred to threshold	DTH		1.5		
<b>Softmute</b>						
V <sub>ANT</sub>	Upper startpoint	SMTH, SMD, SLOPE = 0		10		dBμV
V <sub>ANT</sub>	lower startpoint	SMTH, SMD, SLOPE = 0		3		dBμV
a <sub>SMmin</sub>	Min. softmute depth	SMD, SLOPE = 0, SMTH <sub>Upper</sub>		18		dB
a <sub>SMmax</sub>	Max. softmute depth	SMD, SLOPE = 0, SMTH <sub>Upper</sub>		36		dB
a <sub>SMTHIS</sub> <sub>S</sub>	Mute depth threshold for ISS filter on	SMCTH	0.2		2	dB
V <sub>ACTH</sub>	Internal AC mute threshold	ACM	60		340	mV
a <sub>SMAC</sub>	AC mute depth	ACMD	4		10	dB
I <sub>42</sub>	Charge current			-47.5		μA
I <sub>42</sub>	Discharge current			2.5		μA
<b>S/N Over All</b>						
S/N		V <sub>ANT_min</sub> = 60dBμV, dev.= 40kHz, LP=15kHz deemphasis t = 50μs	66			dB

**Table 4. ELECTRICAL CHARACTERISTICS**

$T_{amb} = +25^{\circ}C$ ,  $V_{CC1} = V_{CC2} = V_{CC3} = V_{CCVCO} = V_{CCMIX1} = V_{CCMIX2} = 8.5V$ ,  $f_{RF} = 1MHz$ ,  $f_{MOD} = 400Hz$  at 30% AM  $f_{IF1} = 10.7MHz$ ,  $f_{IF2} = 450kHz$ ,  $f_{xtal} = 10.25MHz$ , in application circuit, (unless otherwise noted,  $V_{INRF}$  antenna input).

Symbol	Parameter	Test Condition	Min.	Typ.	Max.	Unit
<b>Global</b>						
$V_{ANT\ min}$	Max. sensitivity	Ref.: $V_{INRF} = 60dB\mu V$ ,		19		$dB\mu V$
$V_{ANT\ us}$	Usable sensitivity	$(S+N)/N = 20\ dB$	30	26		$dB\mu V$
$\Delta V_{ANT}$	IF2 AGC Range	Ref.: $V_{INRF} = 60dB\mu V$ ,	56			dB
$(S+N)/N$	Signal to Noise Ratio	Ref.: $V_{INRF} = 60dB\mu V$	50	60		dB
$a_{IF}$	IF rejection	Ref: $V_{INRF} = 60dB\mu V$ , IF1 = 10.7MHz IF2 = 450kHz	100 100			dB dB
$f_{AF}$	Frequency response	Ref.: $V_{INRF} = 60dB\mu V$ , $\Delta V_{AF} = -3\ dB$		3.6		kHz
THD	Total Harmonic Distortion	$V_{INRF} = 60dB\mu V$ , $m = 0.8$ $m = 0.3$ $V_{INRF} = 120\ dB\mu V$ , $m = 0.8$ $m = 0.3$		0.5 0.3 1.0 0.3		%
$V_{37}$	Output level	$V_{INRF} = 60dB\mu V$		220		$mV_{RMS}$
$V_{34}$	Output level	$V_{INRF} = 60dB\mu$ , $m=off$		190		$mV_{RMS}$
$V_3$	Min. RF AGC threshold Max. RF AGC threshold	WAGC		90 109		$dB\mu V$ $dB\mu V$
$V_{58}$	Min. IF AGC threshold Max. IF AGC threshold	WAGC		90 109		$dB\mu V$ $dB\mu V$
$V_{58}$	Min. DAGC threshold Max. DAGC threshold	DAGC		74 96		$dB\mu V$ $dB\mu V$
$ I_{40max} $	AGC2 charge current	seek		160		$\mu A$
CCR	Charge current ratio	seek/seek off		30		
<b>AGC Voltage Driver Output</b>						
$V_4$	Max. AGC output voltage		3.5			V
$V_4$	Min. AGC output voltage				0.5	V
$ I_4 $	AGC current			100		$\mu A$
<b>AGC PIN Diode Driver Output</b>						
$I_5$	AGC driver current			-2		mA

**Table 4. ELECTRICAL CHARACTERISTICS** (continued)

$T_{amb} = +25^{\circ}\text{C}$ ,  $V_{CC1} = V_{CC2} = V_{CC3} = V_{CCVCO} = V_{CCMIX1} = V_{CCMIX2} = 8.5\text{V}$ ,  $f_{RF} = 1\text{MHz}$ ,  $f_{MOD} = 400\text{Hz}$  at 30% AM  $f_{IF1} = 10.7\text{MHz}$ ,  $f_{IF2} = 450\text{kHz}$ ,  $f_{xtal} = 10.25\text{MHz}$ , in application circuit, (unless otherwise noted,  $V_{INRF}$  antenna input).

Symbol	Parameter	Test Condition	Min.	Typ.	Max.	Unit
<b>AM Mixer1 (10.7MHz)</b>						
$R_{IN}$	Input resistance	differential		1.2		$\text{k}\Omega$
$C_{IN}$	Input capacitance	differential		4		$\text{pF}$
$R_{OUT}$	Output impedance	differential	100			$\text{k}\Omega$
$CP_{1dB}$	1dB compression point	referred to diff. mixer input		115		$\text{dB}\mu\text{V}$
IIP3	3rd order intermodulation			132		$\text{dB}\mu\text{V}$
F	Noise figure			8		$\text{dB}$
A	Gain			26		$\text{dB}$
$C_{min}$	Min. capacitance step	IF1T		0.55		$\text{pF}$
$C_{max}$	Max. capacitance	IF1T		8.25		$\text{pF}$
$C_{31-64}$		IF1T		2		$\text{pF}$
<b>AM Mixer2 (450kHz)</b>						
$R_{58}$	Input resistance			10		$\text{k}\Omega$
$C_{58}$	Input capacitance			2.5		$\text{pF}$
$CP_{1dB}$	1dB compression point	referred to diff. mixer input		120		$\text{dB}\mu\text{V}$
IIP3	3rd order intermodulation			132		$\text{dB}\mu\text{V}$
F	Noise figure			12		$\text{dB}$
A	Max. gain	Mixer2 tank output		34		$\text{dB}$
$\Delta A$	Gain control range			20		$\text{dB}$
$C_{min}$	Min. cap step	IF2T		1.6		$\text{pF}$
$C_{max}$	Max. cap	IF2T		24		$\text{pF}$
$C_{55-56}$		IF2T		2		$\text{pF}$

Table 5. ADDITIONAL PARAMETERS

Symbol	Parameter	Test Condition	Min.	Typ.	Max.	Unit
<b>Output of Tuning Voltages (TV1,TV2)</b>						
V <sub>OUT</sub>	Output voltage	TVO	0.5		V <sub>CC3</sub> -0.5	V
R <sub>OUT</sub>	Output impedance			20		kΩ
<b>Xtal Reference Oscillator</b>						
f <sub>LO</sub>	Reference frequency	C <sub>Load</sub> = 15pF		10.25		MHz
C <sub>Step</sub>	Min. cap step	XTAL		0.75		pF
C <sub>max</sub>	Max. cap	XTAL		23.25		pF
Δf/f	Deviation versus VCC2	ΔV <sub>CC2</sub> = 1V		1.5		ppm/V
Δf/f	Deviation versus temp	-40°C < T < +85°C		0.2		ppm/K
<b>I<sup>2</sup>C-Bus interface</b>						
f <sub>SCL</sub>	Clock frequency				400	kHz
V <sub>IL</sub>	Input low voltage				1	V
V <sub>IH</sub>	Input high voltage		3			V
I <sub>IN</sub>	Input current		-5		5	μA
V <sub>O</sub>	Output acknowledge voltage	I <sub>O</sub> = 1.6mA			0.4	V
<b>Loop Filter Input/Output</b>						
-I <sub>IN</sub>	Input leakage current	V <sub>IN</sub> = GND, PD <sub>OUT</sub> = Tristate	-0.1		0.1	μA
I <sub>IN</sub>	Input leakage current	V <sub>IN</sub> = VREF1 PD <sub>OUT</sub> = Tristate	-0.1		0.1	μA
V <sub>OL</sub>	Output voltage Low	I <sub>OUT</sub> = -0.2mA		0.05	0.5	V
V <sub>OH</sub>	Output voltage High	I <sub>OUT</sub> = 0.2mA	V <sub>CC3</sub> -0.5	V <sub>CC3</sub> -0.05		V
I <sub>OUT</sub>	Output current, sink	V <sub>OUT</sub> = 1V to V <sub>CC3</sub> -1V			10	mA
I <sub>OUT</sub>	Output current, source	V <sub>OUT</sub> = 1V to V <sub>CC3</sub> -1V	-10			mA
<b>Voltage Controlled Oscillator (VCO)</b>						
f <sub>VCOmin</sub>	Minimum VCO frequency		50			MHz
f <sub>VCOmax</sub>	Maximum VCO frequency				260	MHz
C/N	Carrier to Noise	f <sub>VCO</sub> = 200MHz, Δf=1KHz, B=1Hz, closed loop		80		dBc
<b>SSTOP Output (Open Collector)</b>						
V <sub>24</sub>	Output voltage low	I <sub>24</sub> = -200μA		0.2	0.5	V
V <sub>24</sub>	Output voltage high				5	V
-I <sub>24</sub>	Output leakage current	V <sub>24</sub> = 5V	-0.1		0.1	μA
I <sub>24</sub>	Output current, sink	V <sub>24</sub> = 0.5V-5V			1	mA

## 1. Functional Description

### 1.1 FM Section

#### 1.2 Mixer1, AGC and 1.IF

FM quadrature I/Q-mixer converts FM RF to IF1 of 10.7MHz. The mixer provides inherent image rejection and wide dynamic range with low noise and large input signal performance. The mixer1 tank can be adjusted by software (IF1T). For accurate image rejection the gain- and phase-error generated as well in mixer as VCO stage can be compensated by software (G,PH)

It is capable of tuning the US FM, US weather, Europe FM, Japan FM and East Europe FM bands

- US FM = 87.9 to 107.9 MHz
- US weather = 162.4 to 162.55 MHz
- Europe FM = 87.5 to 108 MHz
- Japan FM = 76 to 91 MHz
- East Europe FM = 65.8 to 74 MHz

The AGC operates on different sensitivities and bandwidths in order to improve the input sensitivity and dynamic range. AGC thresholds are programmable by software (RFAGC,IFAGC,KAGC). The output signal is a controlled current for double pin diode attenuator.

Two 10.7MHz programmable amplifiers (IFG1, IFG2) correct the IF ceramic insertion loss and the customer level plan application.

#### 1.3 Mixer2, Limiter and Demodulator

In this 2. mixer stage the first 10.7MHz IF is converted into the second 450kHz IF. A multi-stage limiter generates signals for the complete integrated demodulator without external tank. MPX output DC offset versus noise DC level is correctable by software (DEM).

### 1.4 Quality Detection and ISS

#### 1.4.1 Fieldstrength

Parallel to mixer2 input a 10.7MHz limiter generates a signal for digital IF counter and a fieldstrength output signal. This internal unweighted fieldstrength is used for keying AGC, adjacent channel and multipath detection and is available at PIN14 (FSU) after +6dB buffer stage. The behaviour of this output signal can be corrected for DC offset (SL) and slope (SMSL). The internal generated unweighted fieldstrength is filtered at PIN35 and used for softmute function and generation of ISS filter switching signal for weak input level (sm).

#### 1.4.2 Adjacent Channel Detector

The input of the adjacent channel detector is AC coupled from internal unweighted fieldstrength. A programmable highpass or bandpass (ACF) and amplifier (ACG) as well as rectifier determines the influences. This voltage is compared with adjustable comparator1 thresholds (ACWITH, ACNTH). The output signal of this comparator generates a DC level at PIN15 by programmable time constant. Time control (TISS) for a present adjacent channel is made by charge and discharge current after comparator1 in an external capacitance. The charge current is fixed and the discharge current is controlled by I<sup>2</sup>C Bus. This level produces digital signals (ac, ac+) in an additional comparator4. The adjacent channel information is available as analog output signal after rectifier and +8dB output buffer.

#### 1.4.3 Multipath Detector

The input of the multipath detector is AC coupled from internal unweighted fieldstrength. A programmable bandpass (MPF) and amplifier (MPG) as well as rectifier determines the influences. This voltage is compared with an adjustable comparator2 thresholds (MPTH). The output signal of this comparator2 is used for the "Milano" effect. In this case the adjacent channel detection is switched off. The "Milano" effect is selectable by I<sup>2</sup>C Bus (MPOFF). The multipath information is available as analog output signal after rectifier and +8dB output buffer.

#### **1.4.4 450kHz IF Narrow Bandpass Filter (ISS filter)**

The device gets an additional second IF narrow bandpass filter for suppression of noise and adjacent channel signal influences. This narrow filter has three switchable bandwidths, narrow range of 80kHz, mid range of 120kHz and 30kHz for weather band information. Without ISS filter the IF bandwidth (wide range) is defined only by ceramic filter chain. The filter is switched in after mixer2 before 450kHz limiter stage. The centre frequency is matching to the demodulator center frequency.

#### **1.4.5 Deviation Detector**

In order to avoid distortion in audio output signal the narrow ISS filter is switched OFF for present overdeviation. Hence the demodulator output signal is detected. A lowpass filtering and peak rectifier generates a signal that is defined by software controlled current (TDEV) in an external capacitance. This value is compared with a programmable comparator3 thresholds (DWTH, DTH) and generates two digital signals (dev, dev+). For weak signal condition deviation threshold is proportional to FSU.

#### **1.4.6 ISS Switch Logic**

All digital signals coming from adjacent channel detector, deviation detector and softmute are acting via switching matrix on ISS filter switch. The IF bandpass switch mode is controlled by software (ISSON, ISS30, ISS80, CTLOFF). The switch ON of the IF bandpass is also available by external manipulation of the voltage at PIN15. Two application modes are available (APPM). The conditions are described in table 34.

### **1.5 Soft Mute Control**

The external fieldstrength signal at PIN 35 is the reference for mute control. The startpoint and mute depth are programmable (SMTH, SMD) in a wide range. The time constant is defined by external capacitance. Additional adjacent channel mute function is supported. A highpass filter with -3dB threshold frequency of 100kHz, amplifier and peak rectifier generates an adjacent noise signal from MPX output with the same time constant for softmute. This value is compared with comparator5 thresholds (ACM). For present strong adjacent channel the MPX signal is additional attenuated (ACMD).

### **1.6 AM Section**

The up/down conversion is combined with gain control circuit sensing three input signals, narrow band information at PIN 39, upconversion signal (IFAGC) at PIN 58 and wide band information (RFAGC) at PIN 3. This gain control gives two output signals. The first one is a current for pin diode attenuator and the second one is a voltage for preamplifier. Time constant of RF- and IF-AGC is defined by internal 100k resistor and external capacitor at PIN 62. The intervention points for AGC (DAGC, WAGC) are programmable by software. In order to avoid a misbehaviour of AGC intervention point it is important to know that the DAGC threshold has to be lower than WAGC threshold !

The oscillator frequency for upconversion-mixer1 is generated by dividing the FM VCO frequency after VCO (VCOD) and AM predivider(AMD). It is possible to put in a separate narrow bandpass filter before mixer2 at PIN 58. In this case input P58 needs the DC-operation point from PIN 53 via resistance matched with filter impedance. Additional it is possible to use second 10,7MHz ceramic filter by internal switch between mixer2 input and PIN 52. This feature increases 900kHz attenuation.

In mixer2 the IF1 is downconverted into the IF2 450kHz. After filtering by ceramic filter a 450kHz amplifier is included with an additional gain control of IF2 below DAGC threshold. Time constant is defined by capacitance at PIN 40

Mixer1 and mixer2 tanks are software controlled adjustable (IF1T, IF2T).

The demodulator is a peak detector to generate the audio output signal.

A separate output is available for AMIF stereo (AMST).



## 1.7 PLL and IF Counter Section

### 1.7.1 PLL Frequency Synthesizer Block

This part contains a frequency synthesizer and a loop filter for the radio tuning system. Only one VCO is required to build a complete PLL system for FM world tuning and AM upconversion. For auto search stop operation an IF counter system is available.

The counter works in a two stages configuration. The first stage is a swallow counter with a two modulus (32/33) precounter. The second stage is an 11-bit programmable counter.

The circuit receives the scaling factors for the programmable counters and the values of the reference frequencies via an I<sup>2</sup>C-Bus interface. The reference frequency is generated by an adjustable internal (XTAL) oscillator followed by the reference divider. The main reference and step-frequencies are free selectable (RC, PC).

Output signals of the phase detector are switching the programmable current sources. The loop filter integrates their currents to a DC voltage.

The values of the current sources are programmable by 6 bits also received via the I<sup>2</sup>C Bus (A, B, CURRH, LPF).

To minimize the noise induced by the digital part of the system, a special guard configuration is implemented.

The loop gain can be set for different conditions by setting the current values of the chargepump generator.

### 1.7.2 Frequency Generation for Phase Comparison

The RF signals applies a two modulus counter (32/33) pre-scaler, which is controlled by a 5-bit A-divider. The 5-bit register (PC0 to PC4) controls this divider. In parallel the output of the prescaler connects to an 11-bit B-divider. The 11-bit PC register (PC5 to PC15) controls this divider

Dividing range:

$$f_{VCO} = [33 \times A + (B + 1 - A) \times 32] \times f_{REF}$$

$$f_{VCO} = (32 \times B + A + 32) \times f_{REF}$$

Important: For correct operation:  $A \leq 32$ ;  $B \geq A$

### 1.7.3 Three State Phase Comparator

The phase comparator generates a phase error signal according to phase difference between  $f_{SYN}$  and  $f_{REF}$ . This phase error signal drives the charge pump current generator.

### 1.7.4 Charge Pump Current Generator

This system generates signed pulses of current. The phase error signal decides the duration and polarity of those pulses. The current absolute values are programmable by A register for high current and B register for low current.

### 1.7.5 Inlock Detector

Switching the chargepump in low current mode can be done either via software or automatically by the inlock detector, by setting bit LDENA to "1".

After reaching a phase difference about lower than 40nsec the chargepump is forced in low current mode. A new PLL divider alternation by I<sup>2</sup>C-Bus will switch the chargepump in the high current mode.

### 1.7.6 Low Noise CMOS Op-amp

An internal voltage divider at pin VREF2 connects the positive input of the low noise op-amp. The charge pump output connects the negative input. This internal amplifier in cooperation with external components can provide an active filter. The negative input is switchable to three input pins, to increase the flexibility in application. This feature allows two separate active filters for different applications.

While the high current mode is activated LPHC output is switched on.

### 1.7.7 IF Counter Block

The aim of IF counter is to measure the intermediate frequency of the tuner for AM and FM mode. The input signal for FM and AM upconversion is the same 10.7MHz IF level after limiter. AM 450KHz signal is coming from

narrow filtered IF2 before demodulation. A switch controlled by IF counter mode (IFCM) is choosing the input signal for IF counter.

The grade of integration is adjustable by eight different measuring cycle times. The tolerance of the accepted count value is adjustable, to reach an optimum compromise for search speed and precision of the evaluation.

### 1.7.8 The IF-Counter Mode

The IF counter works in 3 modes controlled by IFCM register.

### 1.7.9 Sampling Timer

A sampling timer generates the gate signal for the main counter. The basically sampling time are in FM mode 6.25kHz ( $t_{TIM}=160\mu s$ ) and in AM mode 1kHz ( $t_{TIM}=1ms$ ). This is followed by an asynchronous divider to generate several sampling times.

### 1.7.10 Intermediate Frequency Main Counter

This counter is a 11 - 21-bit synchronous autoreload down counter. Five bits (CF) are programmable to have the possibility for an adjust to the centre frequency of the IF-filter. The counter length is automatic adjusted to the chosen sampling time and the counter mode (FM, AM-UPC, AM).

At the start the counter will be loaded with a defined value which is an equivalent to the divider value ( $t_{Sample} \times f_{IF}$ ).

If a correct frequency is applied to the IF counter frequency input at the end of the sampling time the main counter is changing its state from 0h to 1FFFFh.

This is detected by a control logic and an external search stop output is changing from LOW to HIGH. The frequency range inside which a successful count result is adjustable by the EW bits.

$$\begin{aligned}t_{CNT} &= (CF + 1696+1) / f_{IF} && \text{FM mode} \\t_{CNT} &= (CF + 10688+1) / f_{IF} && \text{AM up conversion mode} \\t_{CNT} &= (CF + 488+1) / f_{IF} && \text{AM mode}\end{aligned}$$

Counter result succeeded:

$$t_{TIM} \geq t_{CNT} - t_{ERR}$$

$$t_{TIM} \leq t_{CNT} + t_{ERR}$$

Counter result failed:

$$t_{TIM} > t_{CNT} + t_{ERR}$$

$$t_{TIM} < t_{CNT} - t_{ERR}$$

$t_{TIM}$  = IF timer cycle time (sampling time)

$t_{CNT}$  = IF counter cycle time

$t_{ERR}$  = discrimination window (controlled by the EW registers)

The IF counter is only started by inlock information from the PLL part. It is enabled by software (IFENA).

### 1.7.11 Adjustment of the Measurement Sequence Time

The precision of the measurements is adjustable by controlling the discrimination window. This is adjustable by programming the control registers EW.

The measurement time per cycle is adjustable by setting the registers IFS.

### 1.7.12 Adjust of the Frequency Value

The center frequency of the discrimination window is adjustable by the control registers CF.

## 1.8 I<sup>2</sup>C-Bus Interface

The TDA7512 supports the I<sup>2</sup>C-Bus protocol. This protocol defines any device that sends data onto the bus as a transmitter, and the receiving device as the receiver. The device that controls the transfer is a master and device being controlled is the slave. The master will always initiate data transfer and provide the clock to transmit or receive operations.

### 1.8.1 Data Transition

Data transition on the SDA line must only occur when the clock SCL is LOW. SDA transitions while SCL is HIGH will be interpreted as START or STOP condition.

### 1.8.2 Start Condition

A start condition is defined by a HIGH to LOW transition of the SDA line while SCL is at a stable HIGH level. This "START" condition must precede any command and initiate a data transfer onto the bus. The device continuously monitors the SDA and SCL lines for a valid START and will not response to any command if this condition has not been met.

### 1.8.3 Stop Condition

A STOP condition is defined by a LOW to HIGH transition of the SDA while the SCL line is at a stable HIGH level. This condition terminates the communication between the devices and forces the bus-interface of the device into the initial condition.

### 1.8.4 Acknowledge

Indicates a successful data transfer. The transmitter will release the bus after sending 8 bits of data. During the 9th clock cycle the receiver will pull the SDA line to LOW level to indicate it receive the eight bits of data.

### 1.8.5 Data Transfer

During data transfer the device samples the SDA line on the leading edge of the SCL clock. Therefore, for proper device operation the SDA line must be stable during the SCL LOW to HIGH transition.

### 1.8.6 Device Addressing

To start the communication between two devices, the bus master must initiate a start instruction sequence, followed by an eight bit word corresponding to the address of the device it is addressing.

The most significant 6 bits of the slave address are the device type identifier.

The TDA7512 device type is fixed as "110001".

The next significant bit is used to address a particular device of the previous defined type connected to the bus. The state of the hardwired PIN 41 defines the state of this address bit. So up to two devices could be connected on the same bus. When PIN 41 is connected to VCC2 the address bit "1" is selected. In this case the AM part doesn't work. Otherwise the address bit "0" is selected (FM and AM is working). Therefore a double FM tuner concept is possible.

The last bit of the start instruction defines the type of operation to be performed:

- When set to "1", a read operation is selected
- When set to "0", a write operation is selected

The TDA7512 connected to the bus will compare their own hardwired address with the slave address being transmitted, after detecting a START condition. After this comparison, the TDA7512 will generate an "acknowledge" on the SDA line and will do either a read or a write operation according to the state of R/W bit.

### 1.8.7 Write Operation

Following a START condition the master sends a slave address word with the R/W bit set to "0". The device will generate an "acknowledge" after this first transmission and will wait for a second word (the word address field). This 8-bit address field provides an access to any of the 32 internal addresses. Upon receipt of the word address the TDA7512 slave device will respond with an "acknowledge". At this time, all the following words transmitted

to the TDA7512 will be considered as Data. The internal address will be automatically incremented. After each word receipt the TDA7512 will answer with an "acknowledge".

**1.8.8 Read Operation**

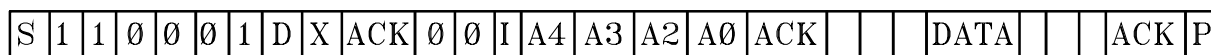
If the master sends a slave address word with the R/W bit set to "1", the TDA7512 will transit one 8-bit data word. This data word includes the following informations:

- bit0 (ISS filter, 1 = ON, 0 = OFF)
- bit1 (ISS filter bandwidth, 1 = 80kHz, 0 = 120kHz)
- bit2 (MPOUT, 1 = multipath present, 0 = no multipath)
- bit3 (1 = PLL is locked in , 0 = PLL is locked out).
- bit4 (fieldstrength indicator, 1 = lower as softmute threshold, 0 = higher as softmute threshold)
- bit5 (adjacent channel indicator, 1 = adjacent channel present, 0 = no adjacent channel)
- bit6 (deviation indicator, 1 = strong overdeviation present, 0 = no strong overdeviation)
- bit7 (deviation indicator, 1 = overdeviation present, 0 = no overdeviation)

**2. Software Specification**

The interface protocol comprises:

- start condition (S)
- chip address byte
- subaddress byte
- sequence of data (N bytes + Acknowledge)
- stop condition (P)



- S = Start
- P = Stop
- ACK = Acknowledge
- D = Device address
- X = R/W bit
- I = Pagemode
- A = Subaddress

## 2.1 ADDRESS ORGANIZATION

**Table 6. Address Organization**

Function	Addr	7	6	5	4	3	2	1	0
CHARGE PUMP	0	LDENA	CURRH	B1	B0	A3	A2	A1	A0
PLL COUNTER	1	PC7	PC6	PC5	PC4	PC3	PC2	PC1	PC0
	2	PC15	PC14	PC13	PC12	PC11	PC10	PC9	PC8
TV1	3	TV1O7	TV1O6	TV1O5	TV1O4	TV1O3	TV1O2	TV1O1	TV1O0
TV2	4	TV2O7	TV2O6	TV2O5	TV2O4	TV2O3	TV2O2	TV2O1	TV2O0
IFC CTRL 1	5	LM	CASF	IFCM1	IFCM0	IFENA	IFS2	IFS1	IFS0
IFC CTRL 2	6	EW2	EW1	EW0	CF4	CF3	CF2	CF1	CF0
AM CTL	7	-	-	-	-	AMD1	AMD0	AMST	AMSEEK
QUALITYISS	8	TISS2	TISS1	TISS0	TVWB	ISS30	ISS80	ISSON	CTLOFF
QUALITY AC	9	ACNTH1	ACNTH0	ACWTH2	ACWTH1	ACWTH0	ACG	ACF	-
QUALITY MP	10	MPAC	APPM2	APPM1	MPTH1	MPTH0	MPG	MPF	MPOFF
QUALITYDEV	11	BWCTL	DTH1	DTH0	DWTH1	DWTH0	TDEV2	TDEV1	TDEV0
MUTE1	12	MENA	SMD3	SMD2	SMD1	SMD0	SMTH2	SMTH1	SMTH0
MUTE2	13	F100K	ACM3	ACM2	ACM1	ACM0	ACMD1	ACMD0	SMCTH
VCO/PLLREF	14	LPF	AMON	RC2	RC1	RC0	VCOD2	VCOD1	VCOD0
FMAGC	15	-	KAGC2	KAGC1	KAGC0	IFAGC1	IFAGC0	RFAGC1	RFAGC0
AMAGC	16	DAGC3	DAGC2	DAGC1	DAGC0	WAGC3	WAGC2	WAGC1	WAGC0
DEM ADJ	17	DNB1	DNB0	DEM5	DEM4	DEM3	DEM2	DEM1	DEM0
LEVEL	18	ODSW	AMIN	SMSL	SL4	SL3	SL2	SL1	SL0
IF1/XTAL	19	XTAL4	XTAL3	XTAL2	XTAL1	XTAL0	IFG11	IFG10	IFG2
TANK ADJ	20	IF1T3	IF1T2	IF1T1	IF1T0	IF2T3	IF2T2	IF2T1	IF2T0
I/Q ADJ	21	ODCUR	-	G1	G0	PH3	PH2	PH1	PH0
TESTCTRL1	22	-	ISSIN	TOUT	TIN	CLKSEP	TEST3	TEST2	TEST1
TESTCTRL2	23	OUT7	OUT6	OUT5	OUT4	OUT3	OUT2	OUT1	OUT0
TESTCTRL3	24	-	TINACM	TINMP	TINAC	OUT11	OUT10	OUT9	OUT8
TESTCTRL4	25	-	-	-	OUT16	OUT15	OUT14	OUT13	OUT12

## 2.2 Control Register Function

**Table 7.**

Register Name	Function
A	Charge pump high current
ACF	Adjacent channel filter select
ACG	Adjacent channel filter gain
ACM	Threshold for startpoint adjacent channel mute
ACMD	Adjacent channel mute depth
ACNTH	Adjacent channel narrow band threshold
ACWTH	Adjacent channel wide band threshold
AMD	AM prescaler
AMIN	AM IF1 input select
AMON	AM-FM switch
AMSEEK	Set short time constant of AGC in AM seek mode

Table 7. (continued)

Register Name	Function
AMST	AM stereo select
APPM	Application mode quality detection
B	Charge pump low current
BWCTL	ISS filter fixed bandwidth (ISS80) in automatic control
CASF	Check alternative station frequency
CF	Center frequency IF counter
CLKSEP	Clock separation (only for testing)
CTLOFF	Switch off automatic control of ISS filter
CURRH	Set current high charge pump
DAGC	AM narrow band AGC threshold
DEM	Demodulator offset
DNB	Demodulator noise spike blanking
DTH	Deviation detector threshold for ISS filter "OFF"
DWTH	Deviation detector threshold for ISS filter narrow/wide
EW	Frequency error window IF counter
F100K	Corner frequency of AC-mute high pass filter
G	I/Q mixer gain adjust
IF1T	FM/AM mixer1 tank adjust
IF2T	AM mixer2 tank adjust
IFAGC	FM IF AGC
IFCM	IF counter mode
IFENA	IF counter enable
IFG	IF1 amplifier gain (10.7MHz)
IFS	IF counter sampling time
ISSIN	Test input for ISS filter
ISSON	ISS filter "ON"
ISS30	ISS filter 30KHz weather band
ISS80	ISS filter narrow/mid switch
KAGC	FM keying AGC
LDENA	Lock detector enable
LM	Local mode FM seek stop
LPF	Loop filter input select
MENA	Softmute enable
MPAC	Adjacent channel control by multipath
MPF	Multipath filter frequency
MPG	Multipath filter gain
MPOFF	Multipath control "OFF"
MPTH	Multipath threshold
ODCUR	Current for overdeviation-correction
ODSW	Overdeviation-correction enable
OUT	Test output (only for testing)
PC	Counter for PLL (VCO frequency)
PH	I/Q mixer phase adjust

Table 7. (continued)

Register Name	Function
RC	Reference counter PLL
RFAGC	FM RF AGC
SL	S meter slider
SMCTH	Softmute capacitor threshold for ISS "ON"
SMD	Softmute depth threshold
SMSL	S meter slope
SMTH	Softmute startpoint threshold
TDEV	Time constant for deviation detector
TEST	Testing PLL/IFC (only for testing)
TIN	Switch FSU PIN to TEST input (only for testing)
TINAC	Test input adjacent channel (only for testing)
TINACM	Test input adjacent channel mute (only for testing)
TINMP	Test input multipath(only for testing)
TISS	Time constant for ISS filter "ON"/"OFF"
TOUT	Switch FSU PIN to Test output (only for testing)
TVO	Tuning voltage offset for prestage
TVWB	Tuning voltage offset for prestage (weather band mode)
VCOD	VCO divider
WAGC	AM wide band AGC
XTAL	Xtal frequency adjust

### 2.2.1 Subaddress

Table 8.

MSB		LSB						Function
	I	A4	A3	A2	A1	A0		
		0	0	0	0	0	Charge pump control	
		0	0	0	0	1	PLL lock detector	
		-	-	-	-	-	-	
		1	0	1	0	1	I/Q ADJ	
	0						Page mode "OFF"	
	1						Page mode enable	

## 2.3 DATA BYTE SPECIFICATION

## 2.3.1 Addr 0 Charge Pump Control

Table 9.

MSB				LSB				Function
d7	d6	d5	d4	d3	d2	d1	d0	
				0	0	0	0	High current = 0mA
				0	0	0	1	High current = 0.5mA
				0	0	1	0	High current = 1mA
				0	0	1	1	High current = 1.5mA
				-	-	-	-	-
				1	1	1	1	High current = 7.5mA
		0	0					Low current = 0μA
		0	1					Low current = 50μA
		1	0					Low current = 100μA
		1	1					Low current = 150μA
	0							Select low current
	1							Select high current
0								Lock detector disable
1								Lock detector enable

## 2.3.2 Addr 1PLL Counter 1 (LSB)

Table 10.

MSB				LSB				Function
d7	d6	d5	d4	d3	d2	d1	d0	
0	0	0	0	0	0	0	0	LSB = 0
0	0	0	0	0	0	0	1	LSB = 1
0	0	0	0	0	0	1	0	LSB = 2
-	-	-	-	-	-	-	-	-
1	1	1	1	1	1	0	0	LSB = 252
1	1	1	1	1	1	0	1	LSB = 253
1	1	1	1	1	1	1	0	LSB = 254
1	1	1	1	1	1	1	1	LSB = 255



### 2.3.3 Addr 2 PLL Counter 2 (MSB)

Table 11.

MSB							LSB	Function
d7	d6	d5	d4	d3	d2	d1	d0	
0	0	0	0	0	0	0	0	MSB = 0
0	0	0	0	0	0	0	1	MSB = 256
0	0	0	0	0	0	1	0	MSB = 512
-	-	-	-	-	-	-	-	-
1	1	1	1	1	1	0	0	MSB = 64768
1	1	1	1	1	1	0	1	MSB = 65024
1	1	1	1	1	1	1	0	MSB = 65280
1	1	1	1	1	1	1	1	MSB = 65536

Note: 1. Swallow mode:  $f_{VCO}/f_{SYN} = LSB + MSB + 32$

### 2.3.4 ddr 3,4 TV1,2 (offset referred to tuning voltage PIN 28)

Table 12.

MSB							LSB	Function
d7	d6	d5	d4	d3	d2	d1	d0	
	0	0	0	0	0	0	0	Tuning Voltage Offset = 0
	0	0	0	0	0	0	1	TVO = 25mV
	0	0	0	0	0	1	0	TVO = 50mV
-	-	-	-	-	-	-	-	-
	1	1	1	1	1	1	1	TVO = 3175mV
0								-TVO
1								+TVO

2.3.5 Addr 5 IF Counter Control 1

Table 13.

MSB							LSB	Function
d7	d6	d5	d4	d3	d2	d1	d0	
					0	0	0	t <sub>Sample</sub> = 20.48ms (FM)128ms (AM )
					0	0	1	t <sub>Sample</sub> = 10.24ms (FM)64ms (AM )
					0	1	0	t <sub>Sample</sub> = 5.12ms (FM)32ms (AM )
					0	1	1	t <sub>Sample</sub> = 2.56ms (FM)16ms (AM )
					1	0	0	t <sub>Sample</sub> = 1.28ms (FM)8ms (AM )
					1	0	1	t <sub>Sample</sub> = 640μs (FM)4ms (AM )
					1	1	0	t <sub>Sample</sub> = 320μs (FM)2ms (AM)
					1	1	1	t <sub>Sample</sub> = 160μs (FM)1ms (AM )
				0				IF counter disable / stand by
				1				IF counter enable
		0	0					Not valid
		0	1					IF counter FM mode
		1	0					IF counter AM mode (450KHz)
		1	1					IF counter AM mode (10.7MHz)
	0							Disable mute & AGC on hold in FM mode
	1							Enable mute & AGC on hold in FM mode
0								Disable local mode
1								Enable local mode (PIN diode current = 0.5mA) "ON"

2.3.6 Addr 6 IF Counter Control 2

Table 14.

MSB							LSB	Function
d7	d6	d5	d4	d3	d2	d1	d0	
			0	0	0	0	0	f <sub>Center</sub> = 10.60625MHz (FM) / 10.689MHz ; 449KHz (AM)
			0	0	0	0	1	f <sub>Center</sub> = 10.61250MHz (FM) / 10.690MHz ; 450KHz (AM)
-	-	-	-	-	-	-	-	-
			0	1	0	1	1	f <sub>Center</sub> = 10.67500MHz (FM) / 10.700MHz ; 460KHz (AM)
			0	1	1	0	0	f <sub>Center</sub> = 10.68125MHz (FM) / 10.701MHz ; 461KHz (AM)
			0	1	1	0	1	f <sub>Center</sub> = 10.68750MHz (FM) / 10.702MHz ; 462KHz (AM)
			0	1	1	1	0	f <sub>Center</sub> = 10.69375MHz (FM) / 10.703MHz ; 463KHz (AM)
			0	1	1	1	1	f <sub>Center</sub> = 10.70000MHz (FM) / 10.704MHz ; 464KHz(AM)
-	-	-	-	-	-	-	-	-
			1	1	1	1	1	f <sub>Center</sub> = 10.80000MHz (FM) / 10.720MHz ;480KHz (AM)
0	0	0						Not valid
0	0	1						Not valid
0	1	0						Not valid
0	1	1						Δf = 6.25kHz (FM)1kHz (AM)
1	0	0						Δf = 12.5kHz (FM) 2kHz (AM)
1	0	1						Δf = 25kHz (FM) 4kHz (AM)
1	1	0						Δf = 50kHz (FM) 8kHz (AM)
1	1	1						Δf = 100kHz (FM)16kHz (AM)

## 2.3.7 Addr 7 AM Control

Table 15.

MSB							LSB	Function
d7	d6	d5	d4	d3	d2	d1	d0	
							0	Normal AGC time constant
							1	Short time constant for AM seek stop
						0		Multipath information available FM at PIN 34
						1		AM stereo output available at PIN 34
				0	0			Prescaler ratio 10
				0	1			Prescaler ratio 8
				1	0			Prescaler ratio 6
				1	1			Prescaler ratio 4

## 2.3.8 Addr 8 Quality ISS Filter

Table 16.

MSB							LSB	Function
d7	d6	d5	d4	d3	d2	d1	d0	
							0	ISS filter control "ON"
							1	ISS filter control "OFF"
						0		Switch ISS filter "OFF"
						1		Switch ISS filter "ON"
					0			Switch "OFF" ISS filter 120kHz
					1			Switch "ON" ISS filter 80kHz
				0				Switch "OFF" ISS filter 30KHz for weatherband
				1				Switch "ON" ISS filter 30KHz for weatherband
			0					Disable TV offset for weather band
			1					Enable TV offset for weather band (+4V)
0	0	0						discharge current1 $\mu$ A, charge current mid 74 $\mu$ A narrow124 $\mu$ A
0	0	1						discharge current3 $\mu$ A, charge current mid 72 $\mu$ A narrow122 $\mu$ A
0	1	0						discharge current5 $\mu$ A, charge current mid 70 $\mu$ A narrow120 $\mu$ A
0	1	1						discharge current7 $\mu$ A, charge current mid 68 $\mu$ A narrow118 $\mu$ A
-	-	-						-
1	1	1						discharge current15 $\mu$ A,charge current mid 60 $\mu$ A narrow110 $\mu$ A

## 2.3.9 Addr 9 Quality Detection Adjacent Channel

Table 17.

MSB							LSB		Function
d7	d6	d5	d4	d3	d2	d1	d0		
							0/1	Not valid	
							0	AC highpass frequency 100kHz	
							1	AC bandpass frequency 100kHz	
					0			AC gain 32dB	
					1			AC gain 38dB	
		0	0	0				AC wide band threshold 0.25V	
		0	0	1				AC wide band threshold 0.35V	
		0	1	0				AC wide band threshold 0.45V	
		-	-	-				-	
		1	1	1				AC wide band threshold 0.95V	
0	0							AC narrow band threshold 0.0V	
0	1							AC narrow band threshold 0.1V	
1	0							AC narrow band threshold 0.2V	
1	1							AC narrow band threshold 0.3V	

## 2.3.10 Addr 10 Quality Detection Multipath

Table 18.

MSB							LSB		Function
d7	d6	d5	d4	d3	d2	d1	d0		
							0	Multipath control "ON"	
							1	Multipath control "OFF"	
							0	MP bandpass frequency 19KHz	
							1	MP bandpass frequency 31KHz	
					0			MP gain 12dB	
					1			MP gain 23dB	
			0	0				MP threshold 0.50V	
			0	1				MP threshold 0.75V	
			1	0				MP threshold 1.00V	
			1	1				MP threshold 1.25V	
	0	0						Application mode 1	
	0	1						Application mode 2	
0								Multipath eliminates ac	
1								Multipath eliminates ac and ac+	

## 2.3.11 Addr 11 Quality Deviation Detection

Table 19.

MSB							LSB	Function
d7	d6	d5	d4	d3	d2	d1	d0	
					0	0	0	charge current 34 $\mu$ A, discharge current 6 $\mu$ A
					0	0	1	charge current 32 $\mu$ A, discharge current 8 $\mu$ A
					0	1	0	charge current 30 $\mu$ A, discharge current 10 $\mu$ A
					0	1	1	charge current 28 $\mu$ A, discharge current 12 $\mu$ A
					-	-	-	-
					1	1	1	charge current 20 $\mu$ A, discharge current 20 $\mu$ A
			0	0				DEV threshold for ISS narrow/wide 30kHz
			0	1				DEV threshold for ISS narrow/wide 45kHz
			1	0				DEV threshold for ISS narrow/wide 60kHz
			1	1				DEV threshold for ISS narrow/wide 75kHz
	0	0						DEV threshold for ISS filter "OFF" ratio 1.5
	0	1						DEV threshold for ISS filter "OFF" ratio 1.4
	1	0						DEV threshold for ISS filter "OFF" ratio 1.3
	1	1						DEV threshold for ISS filter "OFF" ratio 1
0								Disable ISS filter to fixed bandwidth (ISS80) in automatic control
1								Enable ISS filter to fixed bandwidth (ISS80) in automatic control

## 2.3.12 Addr 12 Softmute Control 1

Table 20.

MSB							LSB	Function
d7	d6	d5	d4	d3	d2	d1	d0	
					0	0	0	Startpoint mute 0 in application about 3dB $\mu$ V antenna level
					0	0	1	Startpoint mute 1 in application about 4dB $\mu$ V antenna level
					-	-	-	-
					1	1	1	Startpoint mute 7 in application about 10dB $\mu$ V antenna level
	0	0	0	0				Mute depth 0 in application 18dB
	0	0	0	1				Mute depth 1 in application 20dB
	0	0	1	0				Mute depth 2 in application 22dB
	0	0	1	1				Mute depth 3 in application 24dB
	-	-	-	-				- (logarithmically behaviour)
	1	1	1	1				Mute depth 15 in application 36dB
0								Mute disable
1								Mute enable

## 2.3.13 Addr 13 Softmute Control 2

Table 21.

MSB							LSB		Function
d7	d6	d5	d4	d3	d2	d1	d0		
							0	Disable mute threshold for ISS filter "ON"	
							1	Enable mute threshold for ISS filter "ON"	
					0	0		AC mute depth 10dB	
					0	1		AC mute depth 8dB	
					1	0		AC mute depth 6dB	
					1	1		AC mute depth 4dB	
	0	0	0	0				AC mute threshold 60mV	
	0	0	0	1				AC mute threshold 80mV	
	0	0	1	0				AC mute threshold 100mV	
	-	-	-	-				-	
	0	1	1	1				AC mute threshold 340mV	
	1	1	1	1				AC mute "OFF"	
0								AC mute filter 110KHz	
1								AC mute filter 100KHz	

## 2.3.14 Addr 14 VCODIV/PLLREF

Table 22.

MSB							LSB		Function
d7	d6	d5	d4	d3	d2	d1	d0		
						0	0	not valid (only for testing)	
						0	1	VCO frequency divided by 2	
						1	0	VCO frequency divided by 3	
						1	1	original VCO frequency	
					0			VCO "I" signal 0 degree	
					1			VCO "I" signal 180 degree	
		1	0	0				PLL reference frequency 50KHz	
		1	0	1				PLL reference frequency 25KHz	
		1	1	0				PLL reference frequency 10KHz	
		1	1	1				PLL reference frequency 9KHz	
		0	0	0				PLL reference frequency 2KHz	
	0							Select FM mode	
	1							Select AM mode	
0								Select PLL low pass filter FM	
1								Select PLL low pass filter AM	

## 2.3.15 Addr 15 FM AGC

Table 23.

MSB							LSB		Function
d7	d6	d5	d4	d3	d2	d1	d0		
						0	0	RFAGC threshold $V_{7-9TH} = 85(77 \text{ ANT})\text{dB}\mu\text{V}$	
						0	1	RFAGC threshold $V_{7-9TH} = 90(82 \text{ ANT})\text{dB}\mu\text{V}$	
						1	0	RFAGC threshold $V_{7-9TH} = 94(86 \text{ ANT})\text{dB}\mu\text{V}$	
						1	1	RFAGC threshold $V_{7-9TH} = 96(88 \text{ ANT})\text{dB}\mu\text{V}$	
				0	0			IFAGC threshold $V_{60TH} = 86(60 \text{ ANT})\text{dB}\mu\text{V}$	
				0	1			IFAGC threshold $V_{60TH} = 92(66 \text{ ANT})\text{dB}\mu\text{V}$	
				1	0			IFAGC threshold $V_{60TH} = 96(70 \text{ ANT})\text{dB}\mu\text{V}$	
				1	1			IFAGC threshold $V_{60TH} = 98(72 \text{ ANT})\text{dB}\mu\text{V}$	
	0	0	0					KAGC threshold 80dB $\mu\text{V}$	
	0	0	1					KAGC threshold 82dB $\mu\text{V}$	
	0	1	0					KAGC threshold 84dB $\mu\text{V}$	
	0	1	1					KAGC threshold 86dB $\mu\text{V}$	
	1	0	0					KAGC threshold 88dB $\mu\text{V}$	
	1	0	1					KAGC threshold 90dB $\mu\text{V}$	
	1	1	0					KAGC threshold 92dB $\mu\text{V}$	
	1	1	1					Keying AGC "OFF"	
0								has to be "0"	

2.3.16 Addr 16 AM AGC

Table 24.

MSB				LSB				Function
d7	d6	d5	d4	d3	d2	d1	d0	
				0	0	0	0	WAGC V <sub>3TH</sub> = 90(65 ANT)dBμ V <sub>58TH</sub> = 90(60 ANT)dBμ
				0	0	0	1	WAGC V <sub>3TH</sub> = 94(69 ANT)dBμ V <sub>58TH</sub> = 94(64 ANT)dBμ
				0	0	1	0	WAGC V <sub>3TH</sub> = 97(72 ANT)dBμ V <sub>58TH</sub> = 96,5(66,5 ANT)dBμ
				0	0	1	1	WAGC V <sub>3TH</sub> = 98,5(73,5 ANT)dBμ V <sub>58TH</sub> = 98,5(68,5 ANT)dBμ
				0	1	0	0	WAGC V <sub>3TH</sub> = 100(75 ANT)dBμ V <sub>58TH</sub> = 100(70 ANT)dBμ
				0	1	0	1	WAGC V <sub>3TH</sub> = 101,5(76,5 ANT)dBμ V <sub>58TH</sub> = 101(71 ANT)dBμ
				0	1	1	0	WAGC V <sub>3TH</sub> = 102,5(77,5 ANT)dBμ V <sub>58TH</sub> = 102,5(72,5 ANT)dBμ
				0	1	1	1	WAGC V <sub>3TH</sub> = 103,5(78,5 ANT)dBμ V <sub>58TH</sub> = 103,5(73,5 ANT)dBμ
				1	0	0	0	WAGC V <sub>3TH</sub> = 104,5(79,5 ANT)dBμ V <sub>58TH</sub> = 104(74 ANT)dBμ
				1	0	0	1	WAGC V <sub>3TH</sub> = 105(80 ANT)dBμ V <sub>58TH</sub> = 105(75 ANT)dBμ
				1	0	1	0	WAGC V <sub>3TH</sub> = 106(81 ANT)dBμ V <sub>58TH</sub> = 105,5(75,5 ANT)dBμ
				1	0	1	1	WAGC V <sub>3TH</sub> = 106,5(81,5 ANT)dBμ V <sub>58TH</sub> = 106,5(76,5 ANT)dBμ
				1	1	0	0	WAGC V <sub>3TH</sub> = 107(82 ANT)dBμ V <sub>58TH</sub> = 107(77 ANT)dBμ
				1	1	0	1	WAGC V <sub>3TH</sub> = 108(83 ANT)dBμ V <sub>58TH</sub> = 107,5(77,5 ANT)dBμ
				1	1	1	0	WAGC V <sub>3TH</sub> = 108,5(83,5 ANT)dBμ V <sub>58TH</sub> = 108(78 ANT)dBμ
				1	1	1	1	WAGC V <sub>3TH</sub> = 109(84 ANT)dBμ V <sub>58TH</sub> = 108,5(78,5 ANT)dBμ
0	0	0	0					DAGC V <sub>58TH</sub> = 74(44 ANTENNA)dBμ
0	0	0	1					DAGC V <sub>58TH</sub> = 77(47 ANTENNA)dBμ
0	0	1	0					DAGC V <sub>58TH</sub> = 79(49 ANTENNA)dBμ
0	0	1	1					DAGC V <sub>58TH</sub> = 80,5(50,5 ANTENNA)dBμ
0	1	0	0					DAGC V <sub>58TH</sub> = 82(52 ANTENNA)dBμ
0	1	0	1					DAGC V <sub>58TH</sub> = 83,5(53,5 ANTENNA)dBμ
0	1	1	0					DAGC V <sub>58TH</sub> = 85(55 ANTENNA)dBμ
0	1	1	1					DAGC V <sub>58TH</sub> = 86,5(56,5 ANTENNA)dBμ
1	0	0	0					DAGC V <sub>58TH</sub> = 88(58 ANTENNA)dBμ
1	0	0	1					DAGC V <sub>58TH</sub> = 89(59 ANTENNA)dBμ
1	0	1	0					DAGC V <sub>58TH</sub> = 90(60 ANTENNA)dBμ
1	0	1	1					DAGC V <sub>58TH</sub> = 91(61 ANTENNA)dBμ
1	1	0	0					DAGC V <sub>58TH</sub> = 92(62 ANTENNA)dBμ
1	1	0	1					DAGC V <sub>58TH</sub> = 93(63 ANTENNA)dBμ
1	1	1	0					DAGC V <sub>58TH</sub> = 94(64 ANTENNA)dBμ
1	1	1	1					DAGC V <sub>58TH</sub> = 96(66 ANTENNA)dBμ



## 2.3.17 Addr 17 FM Demodulator Fine Adjust

Table 25.

MSB							LSB		Function
d7	d6	d5	d4	d3	d2	d1	d0		
		0	0	0	0	0	0	0mV	
		0	0	0	0	0	1	+8.5mV	
		0	0	0	0	1	0	+17mV	
		-	-	-	-	-	-	-	
		0	1	1	1	1	1	+263.5mV	
		1	0	0	0	0	0	0mV	
		1	0	0	0	0	1	-8.5mV	
		1	0	0	0	1	0	-17mV	
		-	-	-	-	-	-	-	
		1	1	1	1	1	1	-263.5mV	
0	0							Spike cancelation "OFF"	
0	1							Threshold for spike cancelation 270mV	
1	0							Threshold for spike cancelation 520mV	
1	1							Threshold for spike cancelation 750mV	

## 2.3.18 Addr 18 S-Meter Slider

Table 26.

MSB							LSB		Function
d7	d6	d5	d4	d3	d2	d1	d0		
				0	0	0	0	S meter slider offset SL=0dB	
				0	0	0	1	S meter offset SL=1dB	
				0	0	1	0	S meter offset SL=2dB	
				-	-	-	-	-	
				1	1	1	1	S meter offset SL=15dB	
			0					S meter offset -SL	
			1					S meter offset +SL	
		0						S Meter slope 1V/decade	
		1						S meter slope 1.5V/decade	
	0							Select external AM-IF input	
	1							Select internal AM-IF input	
0								Overdeviation correction "ON"	
1								Overdeviation correction "OFF"	

## 2.3.19 Addr 19 IF GAIN/XTAL Adjust

Table 27.

MSB							LSB	Function
d7	d6	d5	d4	d3	d2	d1	d0	
							0	IF1 gain2 9dB
							1	IF1 gain2 11dB
					0	0		IF1 gain1 9dB
					0	1		IF1 gain1 11dB
					1	0		IF1 gain1 12dB
					1	1		IF1 gain1 15dB
0	0	0	0	0				C <sub>Load</sub> 0pF
0	0	0	0	1				C <sub>Load</sub> 0.75pF
0	0	0	1	0				C <sub>Load</sub> 1.5pF
0	0	0	1	1				C <sub>Load</sub> 2.25pF
0	0	1	0	0				C <sub>Load</sub> 3pF
-	-	-	-	-				-
1	1	1	1	1				C <sub>Load</sub> 23.25pF

## 2.3.20 Addr 20 Tank Adjust

Table 28.

MSB							LSB	Function
d7	d6	d5	d4	d3	d2	d1	d0	
				0	0	0	0	450kHz 0pF
				0	0	0	1	450kHz 1.6pF
				0	0	1	0	450kHz 3.2pF
				0	0	1	1	450kHz 4.8pF
				-	-	-	-	-
				1	1	1	1	450kHz 24pF
0	0	0	0					10.7MHz 0pF
0	0	0	1					10.7MHz 0.55pF
0	0	1	0					10.7MHz 1.1pF
0	0	1	1					10.7MHz 1.65pF
-	-	-	-					-
1	1	1	1					10.7MHz 8.25pF

## 2.3.21 Addr 21 I/Q FM mixer1 adjust

Table 29.

MSB							LSB	Function
d7	d6	d5	d4	d3	d2	d1	d0	
				0	0	0	0	-7 degree
				0	0	0	1	-6 degree
				0	0	1	0	-5 degree
				-	-	-	-	-
				0	1	1	1	0 degree
				1	0	0	0	+1 degree
				1	0	0	1	+2 degree
				-	-	-	-	-
				1	1	1	1	+8degree
		0	0					0%
		0	1					-1%
		1	0					+1%
		1	1					0%
	x							not used
0								Overdeviation correction current max=45µA
1								Overdeviation correction current max=90µA

## 2.3.22 Addr 22 Test Control 1

Table 30.

MSB							LSB	Function
d7	d6	d5	d4	d3	d2	d1	d0	
x	x	x	x	x	x	x	x	Only for testing ( have to be set to 0)

## 2.3.23 Addr 23 Test Control 2

Table 31.

MSB							LSB	Function
d7	d6	d5	d4	d3	d2	d1	d0	
x	x	x	x	x	x	x	x	Only for testing ( have to be set to 0)

## 2.3.24 Addr 24 Test Control 3

Table 32.

MSB							LSB	Function
d7	d6	d5	d4	d3	d2	d1	d0	
x	x	x	x	x	x	x	x	Only for testing ( have to be set to 0)

## 2.3.25 Addr25 Test Control 4

Table 33.

MSB							LSB	Function
d7	d6	d5	d4	d3	d2	d1	d0	
x	x	x	x	x	x	x	x	Only for testing ( have to be set to 0)

3. APPENDIX

Figure 1. Block diagram I/Q mixer

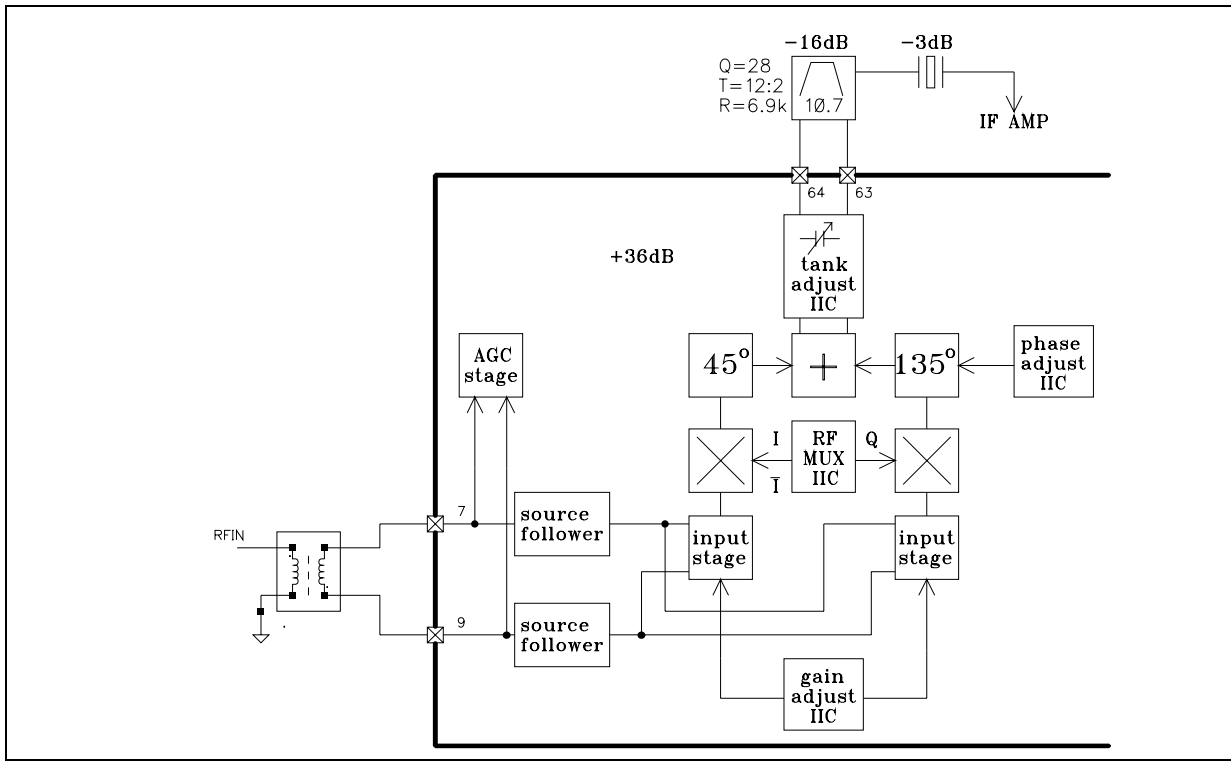


Figure 2. Block diagram VCO

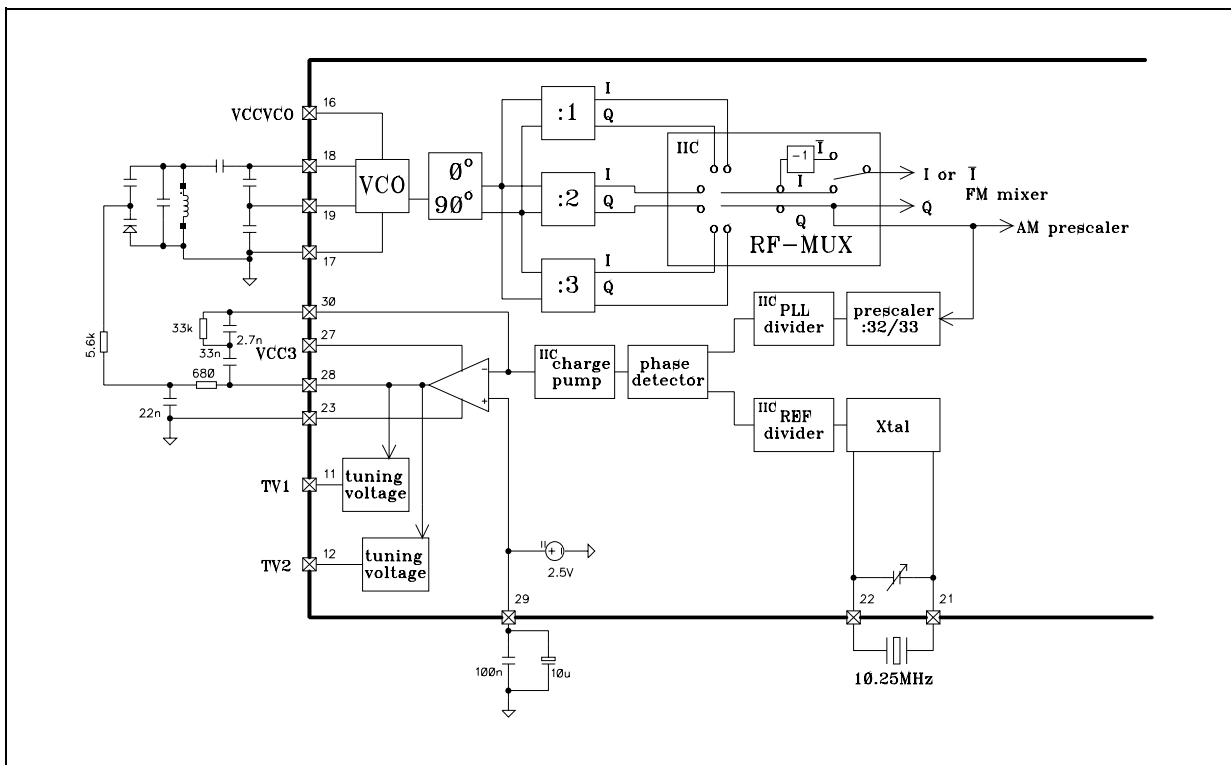


Figure 3. Block diagram keying AGC

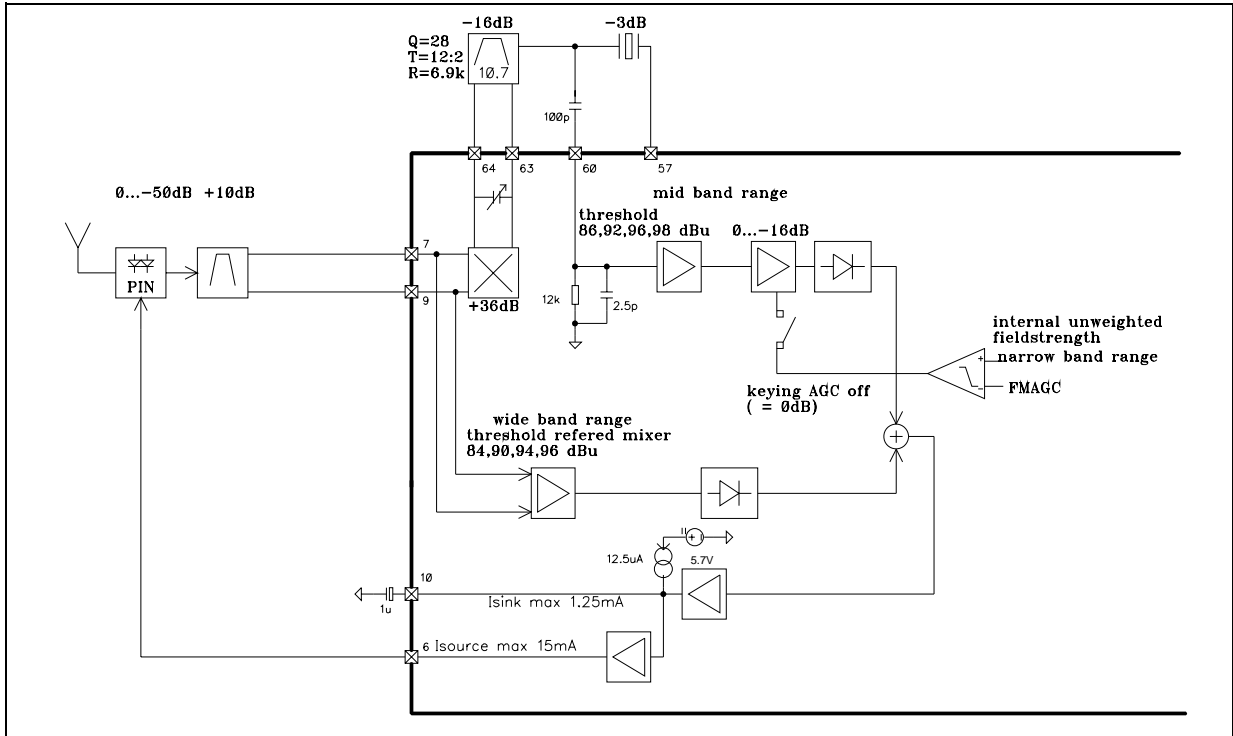
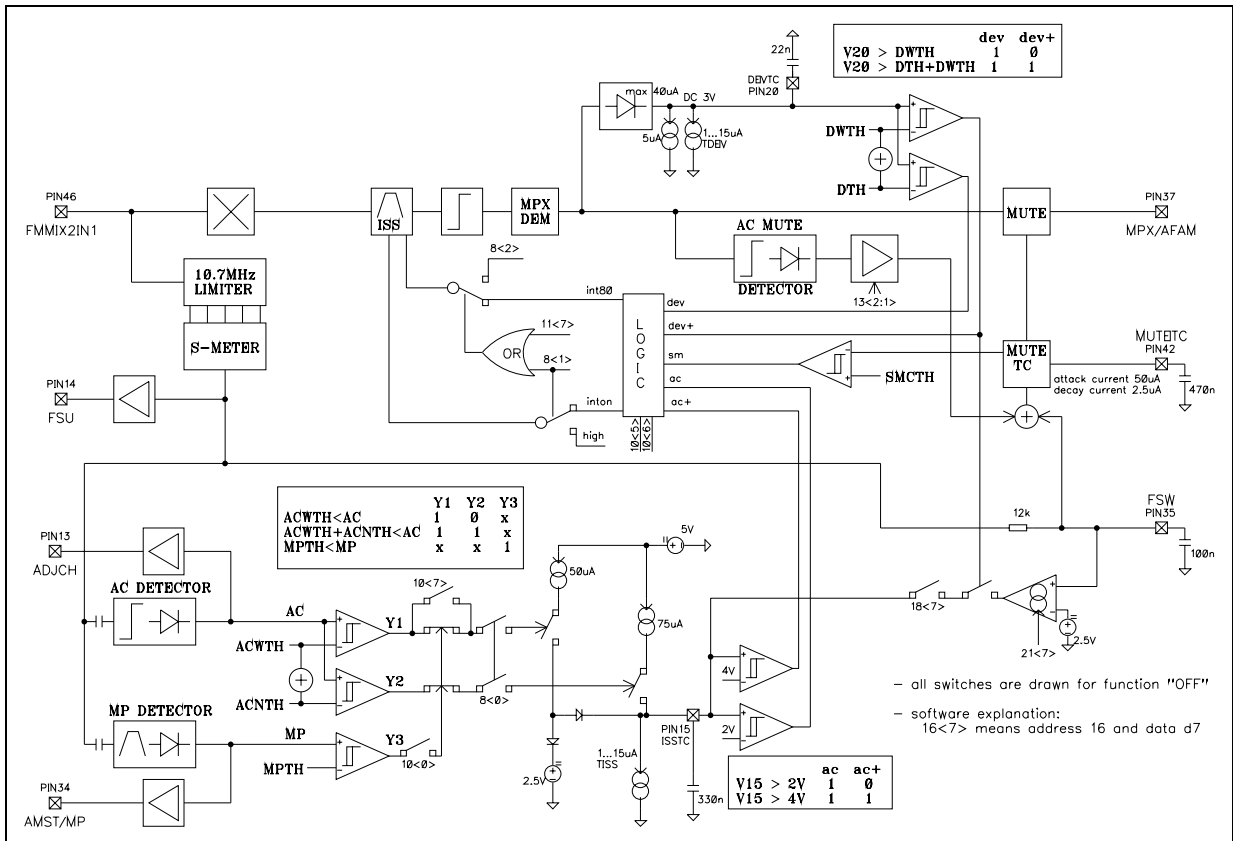


Figure 4. Block diagram ISS function



## Block Diagram Quality Detection Principle (without overdeviation correction)

Table 34.

Signal	LOW	HIGH
ac	No adjacent channel	Adjacent channel present
ac+	No strong adjacent channel	Adjacent channel higher as ac
sm	Fieldstrength higher as softmute threshold	Fieldstrength lower as softmute threshold
dev	Deviation lower as threshold DWTH	Deviation higher as threshold DWTH
dev+	Deviation lower as threshold DTH*DWTH	Deviation higher as threshold DTH*DWTH
inton	ISS filter off by logic (wide)	ISS filter on by logic
int80	ISS filter 120kHz (mid)	ISS filter 80kHz (narrow)

Table 35.

Input Signals					Mode1			Mode2		
ac	ac+	sm	dev	dev+	inton	int80	Function	inton	int80	Function
0	0	0	0	0	0	0	wide	0	0	wide
0	0	0	1	0	0	0	wide	0	0	wide
0	0	0	1	1	0	0	wide	0	0	wide
0	0	1	0	0	1	1	narrow	1	1	narrow
0	0	1	1	0	0	0	wide	1	0	mid
0	0	1	1	1	0	0	wide	0	0	wide
1	0	0	0	0	1	1	narrow	1	0	mid
1	1	0	0	0	1	1	narrow	1	1	narrow
1	0	0	1	0	1	0	mid	1	0	mid
1	1	0	1	1	1	0	mid	1	1	narrow
1	0	1	0	0	1	1	narrow	1	1	narrow
1	1	1	0	0	1	1	narrow	1	1	narrow
1	0	1	1	0	1	0	mid	1	0	mid
1	1	1	1	0	1	0	mid	1	1	narrow
1	0	1	1	1	1	0	mid	1	0	mid
1	1	1	1	1	1	0	mid	1	1	narrow

## Part List (Application- and Measurement Circuit)

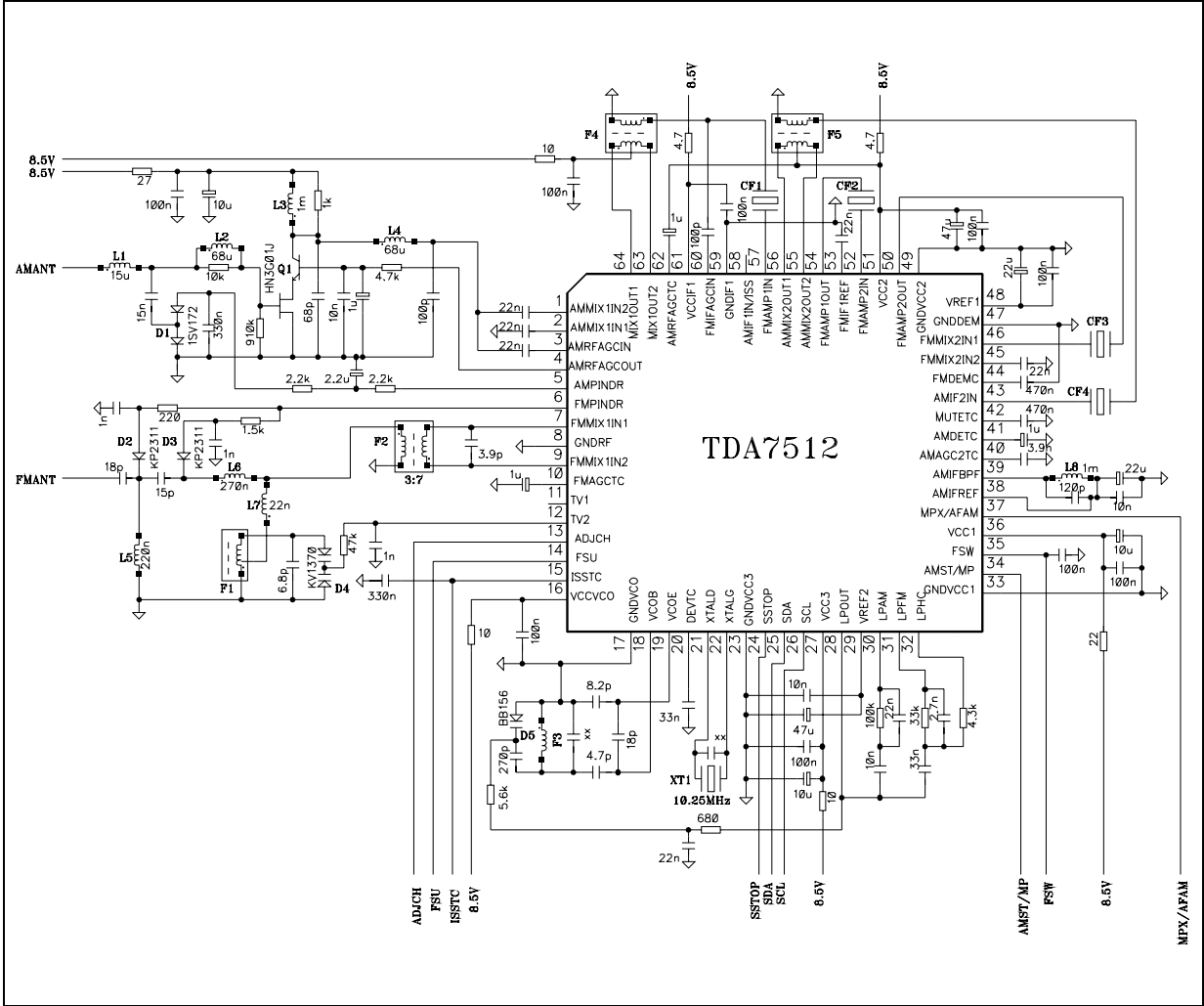
Table 36.

Item	Description
F1	TOKO 5KG 611SNS-A096GO
F2	TOKO 5KM 396INS-A467AO
F3	TOKO MC152 E558HNA-100092
F4	TOKO 7PSG 826AC-A0022EK=S
F5	TOKO PGL 5PGLC-5103N
L1	TOKO FSLM 2520-150 15µH
L2,L4	TOKO FSLM 2520-680 68µH
L3,L8	SIEMENS SIMID03 B82432 1mH
L5	TOKO LL 2012-220

Table 36. (continued)

Item	Description
L6	TOKO LL 2012-270
L7	TOKO LL 2012-22.0
CF1,CF2	muRata SFE10.7MS3A10-A 180KHz or (TOKO CFSK107M3-AE-20X)
CF3	muRata SFE10.7MJA10-A 150KHz or (TOKO CFSK107M4-AE-20X)
CF4	muRata SFPS 450H 6KHz or (TOKO ARLFC450T)
D1	TOSHIBA 1SV172
D2,D3	TOKO KP2311E
D4	TOKO KV1370NT
D5	PHILIPS BB156
Q1	TOSHIBA HN3G01J

Figure 5.



### 4.0 Application notes

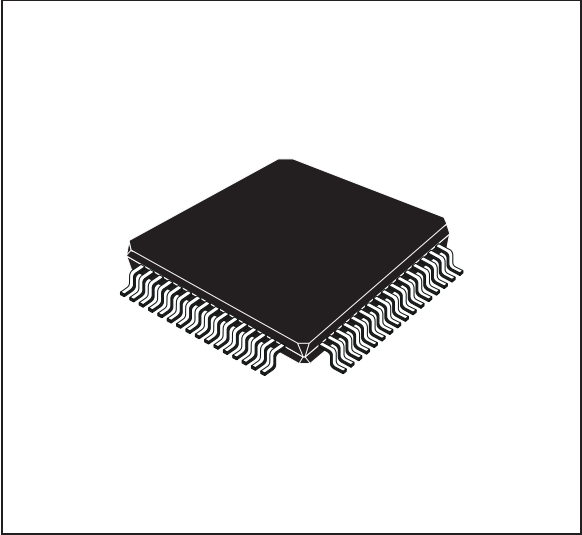
Following items are important to get highest performance of TDA7512 in application:

1. In order to avoid leakage current from PLL loop filter input to ground a guardring is recommended around loop filter PIN's with PLL reference voltage potential.
2. Distance between Xtal and VCO input PIN 18 should be far as possible and Xtal package should get a shield versus ground.
3. Blocking of VCO supply should be near at PIN 16 and PIN 17.
4. Wire lenght to FM mixer1 input and output should be symetrically and short.
5. FM demodulator capacitance at PIN 44 should be sense connected as short as possible versus demodulator ground at PIN 47.
6. With respect to THD capacitive coupling from PIN 20 to VCO should be avoided. Capacitance at PIN 20 has be connected versus VCC2 ground.
7. Wire lenght from AM mixer tank output to 9KHz ceramic filter input has to be short as possible.

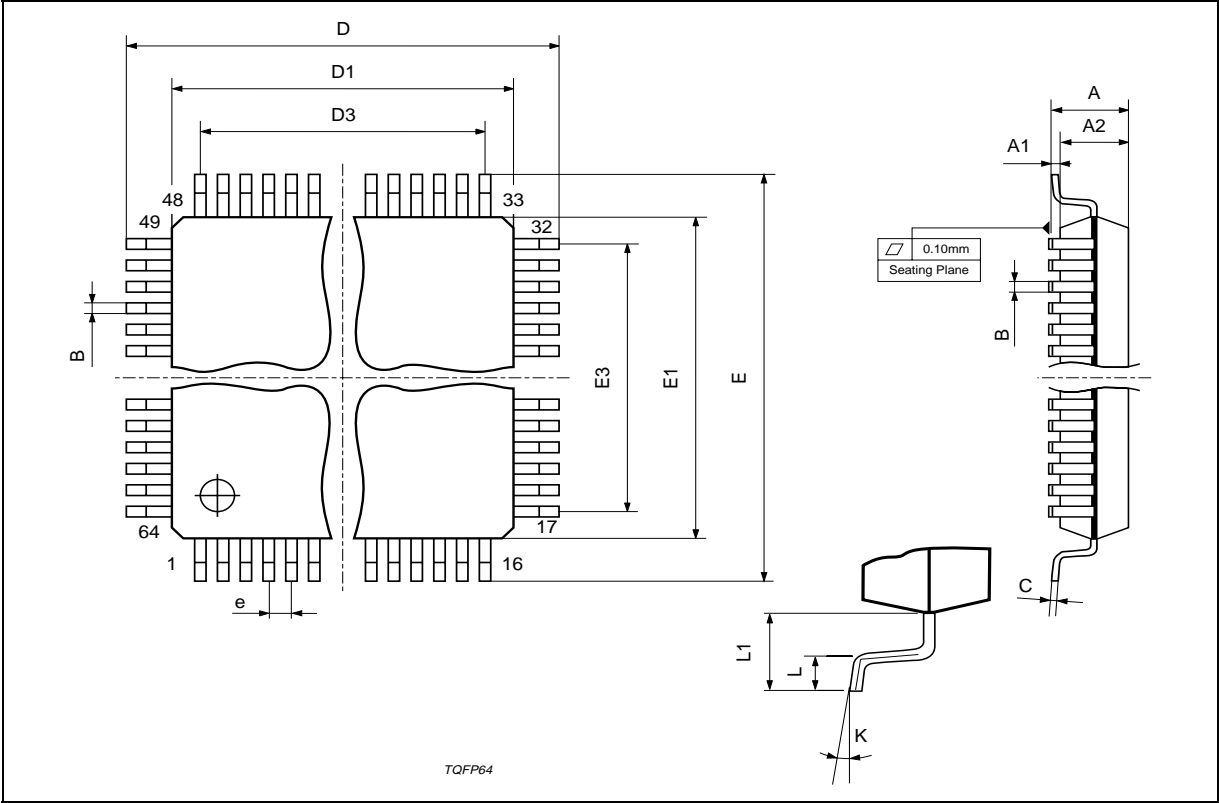


DIM.	mm			inch		
	MIN.	TYP.	MAX.	MIN.	TYP.	MAX.
A			1.60			0.063
A1	0.05		0.15	0.002		0.006
A2	1.35	1.40	1.45	0.053	0.055	0.057
B	0.18	0.23	0.28	0.007	0.009	0.011
C	0.12	0.16	0.20	0.0047	0.0063	0.0079
D		12.00			0.472	
D1		10.00			0.394	
D3		7.50			0.295	
e		0.50			0.0197	
E		12.00			0.472	
E1		10.00			0.394	
E3		7.50			0.295	
L	0.40	0.60	0.75	0.0157	0.0236	0.0295
L1		1.00			0.0393	
K	0°(min.), 7°(max.)					

**OUTLINE AND MECHANICAL DATA**



**TQFP64**



Information furnished is believed to be accurate and reliable. However, STMicroelectronics assumes no responsibility for the consequences of use of such information nor for any infringement of patents or other rights of third parties which may result from its use. No license is granted by implication or otherwise under any patent or patent rights of STMicroelectronics. Specifications mentioned in this publication are subject to change without notice. This publication supersedes and replaces all information previously supplied. STMicroelectronics products are not authorized for use as critical components in life support devices or systems without express written approval of STMicroelectronics.

The ST logo is a registered trademark of STMicroelectronics.  
All other names are the property of their respective owners

© 2003 STMicroelectronics - All rights reserved

**STMicroelectronics GROUP OF COMPANIES**

Australia - Belgium - Brazil - Canada - China - Czech Republic - Finland - France - Germany - Hong Kong - India - Israel - Italy - Japan -  
Malaysia - Malta - Morocco - Singapore - Spain - Sweden - Switzerland - United Kingdom - United States

[www.st.com](http://www.st.com)