



SHC76

SAMPLE/HOLD AMPLIFIER

FEATURES

- **FAST (6 μ s max) ACQUISITION TIME (14-bit)**
- **APERTURE JITTER: 400ps**
- **POWER DISSIPATION: 300mW**
- **COMPATIBLE WITH HIGH RESOLUTION A/D CONVERTERS ADC76, PCM75, AND ADC71**

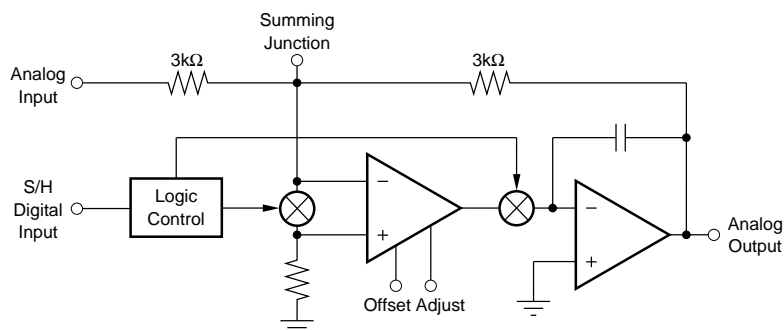
DESCRIPTION

The SHC76 is a fast, high-accuracy hybrid sample/hold circuit suitable for use in high-resolution data acquisition systems.

The SHC76 is complete with internal hold capacitor and incorporates an internal compensation network which minimizes sample-to-hold charge offset. The SHC76 is configured as a unity-gain inverter.

High-resolution converters such as the ADC76 and ADC71 are compatible with SHC76 in forming complete, 14-bit accurate analog-to-digital conversion systems.

The SHC76 comes in a 14-pin single-wide hermetic metal DIP. Power supply requirements are specified from $\pm 14.5V$ to $\pm 15.5V$ with guaranteed operation from $\pm 11.4V$ to $\pm 18V$. Input voltage range is $\pm 10V$. The SHC76 is available in two temperature ranges: KM, for $0^{\circ}C$ to $+70^{\circ}C$; and BM, for $-25^{\circ}C$ to $+85^{\circ}C$ operation.



International Airport Industrial Park • Mailing Address: PO Box 11400 • Tucson, AZ 85734 • Street Address: 6730 S. Tucson Blvd. • Tucson, AZ 85706
Tel: (520) 746-1111 • Twx: 910-952-1111 • Cable: BBRCORP • Telex: 066-6491 • FAX: (520) 889-1510 • Immediate Product Info: (800) 548-6132

SPECIFICATIONS

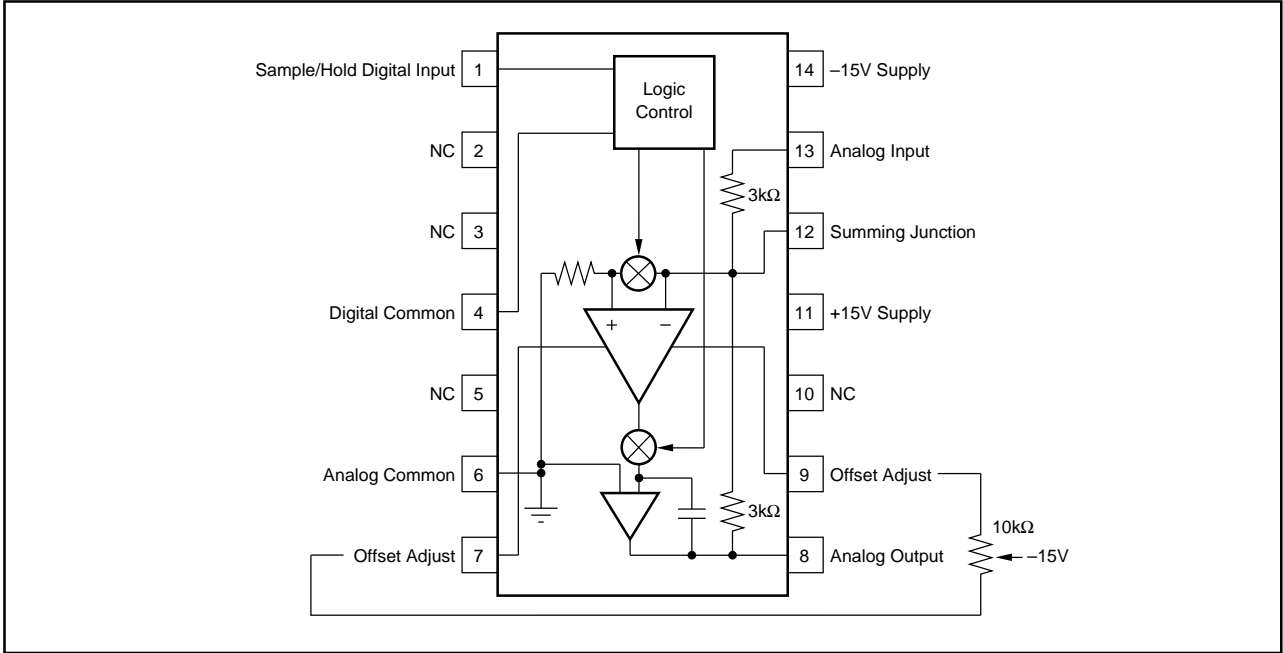
ELECTRICAL

Typical at +25°C, and nominal power supply voltage of ±15V, unless otherwise noted.

PARAMETER	SHC76KM, BM			UNITS
	MIN	TYP	MAX	
ANALOG INPUTS Voltage Range Overshoot, no damage Impedance	±10		±15	V V Ω
DIGITAL INPUT (TTL-Compatible) Track Mode, Logic "1" Hold Mode, Logic "0" $I_{IH}, V_{IH} = 2.4V$ $I_{IL}, V_{IL} = 0.4V$	2 0		5.5 0.8 400 1000	V V μA μA
ANALOG OUTPUT Voltage Current Short-Circuit Current Impedance		±10 5 20 1		V mA mA Ω
DC ACCURACY/STABILITY Gain Gain Error Gain Nonlinearity (±10V Output Track) Gain Temperature Coefficient Offset Voltage ⁽¹⁾ Output Offset at T_{MIN}, T_{MAX} (Track)		-1.00 ±0.01 ±0.001 1 ±6	±0.02 5 ±3	V/V % % ppm/°C mV mV
TRACK MODE DYNAMICS Frequency Response Small Signal (-3dB) Full Power Bandwidth Slew Rate Noise in Track Mode (DC to 1.0MHz)				
TRACK-TO-HOLD SWITCHING Aperture Time Aperture Uncertainty (Jitter) Offset Step (Pedestal) Pedestal at Temperature KM Grade BM Grade Switching Transient Amplitude Settling to 1mV Settling to 0.3mV		30 0.4 ±2 ±4 ±6 200 0.5 1	±4	ns ns mV mV mV μs μs
HOLD MODE DYNAMICS Droop Rate Droop Rate at T_{MAX} Feedthrough Rejection (10Vp-p, 20kHz)				
HOLD-TO-TRACK DYNAMICS Acquisition Time To ±0.01% of 20V To ±0.003% of 20V				
POWER REQUIREMENTS Nominal Voltages for Rated Performance Operating Range ⁽²⁾ Power Supply Rejection Supply Current: + V_S - V_S Power Dissipation	±14.5 ±11.4	±15 100 15 -4 300	±15.5 ±18 20 -10 500	V V μV/V mA mA mW
TEMPERATURE RANGE Operating: KM Grade BM Grade Storage	0 -25 -55		+70 +85 +125	°C °C °C

NOTES: (1) Adjustable to zero with external circuit. (2) Operating to derated performance with $V_{IN} < V_S - 5V$.

CONNECTION DIAGRAM



ABSOLUTE MAXIMUM RATINGS⁽¹⁾

Voltage Between +V _{CC} and -V _{CC} Terminals	40V
Input Voltage	Actual Supply Voltage
Differential Input Voltage	±24V
Digital Input Voltage	-0.5V to +5.5V
Output Current Continuous ⁽²⁾	±20mA
Internal Power Dissipation	500mW
Storage Temperature Range	-65°C < T _A < +150°C
Output Short-Circuit Duration ⁽³⁾	Momentary to Common
Lead Temperature (soldering, 10s)	+300°C

CAUTION: These devices are sensitive to electrostatic discharge. Appropriate I.C. handling procedures should be followed.

NOTES: (1) Absolute maximum ratings are limiting values, applied individually, beyond which the servability of the circuit may be impaired. Functional operation under any of these conditions is not necessarily implied. (2) Internal power dissipation may limit output current to less than +20mA. (3) **WARNING: This device cannot withstand even a momentary short circuit to either supply.**

ORDERING INFORMATION

MODEL	PACKAGE	TEMPERATURE RANGE
SHC76KM	14-Pin Single-Wide, Hermetic Metal DIP	0°C to +70°C
SHC76BM	14-Pin Single-Wide, Hermetic Metal DIP	-25°C to +85°C

PIN ASSIGNMENTS

PIN	DESCRIPTION	PIN	DESCRIPTION
1	Digital Input	8	Analog Output
2	No Connection	9	Offset Adjust
3	No Connection	10	No Connection
4	Digital Ground	11	+15V Supply
5	No Connection	12	Summing Junction
6	Analog Ground	13	Analog Input
7	Offset Adjust	14	-15V Supply

PACKAGE INFORMATION

MODEL	PACKAGE	PACKAGE DRAWING NUMBER ⁽¹⁾
SHC76KM	14-Pin Single-Wide, Hermetic Metal DIP	107
SHC76BM	14-Pin Single-Wide, Hermetic Metal DIP	107

NOTE: (1) For detailed drawing and dimension table, please see end of data sheet, or Appendix D of Burr-Brown IC Data Book.

The information provided herein is believed to be reliable; however, BURR-BROWN assumes no responsibility for inaccuracies or omissions. BURR-BROWN assumes no responsibility for the use of this information, and all use of such information shall be entirely at the user's own risk. Prices and specifications are subject to change without notice. No patent rights or licenses to any of the circuits described herein are implied or granted to any third party. BURR-BROWN does not authorize or warrant any BURR-BROWN product for use in life support devices and/or systems.

DISCUSSION OF SPECIFICATIONS

THROUGHPUT NONLINEARITY

This is defined as total Hold mode, nonadjustable, input to output error caused by charge offset, gain nonlinearity, droop, feedthrough, and thermal transients. It is the inaccuracy due to these errors which cannot be corrected by Offset and Gain adjustments.

GAIN ERROR

The difference between the input and output voltage magnitude (in the Sample mode) due to the amplifier gain errors.

DROOP RATE

The voltage decay at the output when in the Hold mode due to storage capacitor and FET switch leakage current and the input bias current of the output amplifier.

FEEDTHROUGH

The amount of output voltage change caused by an input voltage change when the sample/hold is in the Hold mode.

APERTURE DELAY TIME

The time required to switch from Sample to Hold. The time is measured from the 50% point of the Hold mode control transition to the time at which the output stops tracking the input.

APERTURE UNCERTAINTY TIME

The nonrepeatability of aperture delay time.

ACQUISITION TIME

The time required for the sample/hold output to settle within a given error band of its final value when the sample/hold is switched from Hold to Sample.

CHARGE OFFSET (PEDESTAL)

The output voltage change that results from charge coupled into the Hold capacitor through the gate capacitance of the switching field effect transistor. This charge appears as an offset at the output.

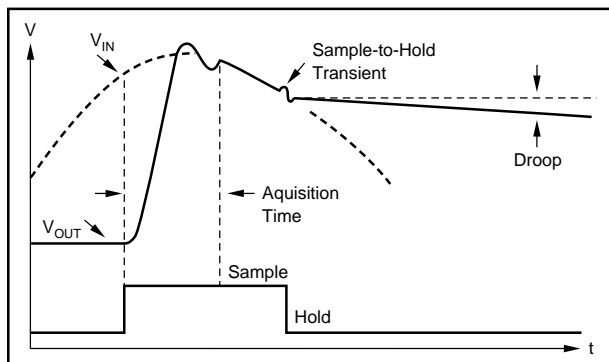


FIGURE 1. Definition of Acquisition Time, Droop and Sample-to-Hold Transient.

SAMPLE-TO-HOLD SWITCHING TRANSIENT

The switching transient which appears on the output when the sample/hold is switched from Sample to Hold. Both the magnitude and the settling time of the transient are specified.

SAMPLED DATA ACQUISITION SYSTEM CALCULATIONS

The rated accuracy of an A/D converter in combination with the aperture uncertainty of a sample/hold determine the maximum theoretical input slew rate (frequency) of a given sampled data system.

$$\text{Sine Wave } f_{\text{MAX}} = (2^{-N} \text{FSR}) \div (2\pi A t)$$

A = max Input Signal Amplitude (peak-to-peak)
 FSR = Full-Scale Range of A/D Converter
 t = Aperture Uncertainty of S/H (jitter)
 N = Number of Bits Accuracy

Given below are the maximum input frequencies of two A/D converters in conjunction with the SHC76:

$$\text{SHC76 13-bit Sine Wave } f_{\text{MAX}} = (0.000122 \cdot 20\text{V}) \div (2 \cdot \pi \cdot 20\text{V} \cdot 0.4\text{ns}) = 48.6\text{kHz}$$

$$\text{SHC76 14-bit Sine Wave } f_{\text{MAX}} = (0.000061 \cdot 20\text{V}) \div (2 \cdot \pi \cdot 20\text{V} \cdot 0.4\text{ns}) = 24.3\text{kHz}$$

The maximum throughput rate is determined by adding all critical conversion process times together. Throughput rate cannot exceed the maximum input frequency determined by the accuracy and jitter specs without degrading system performance. Two samples per period of a sine wave are required to satisfy the Nyquist sampling theorem. A low-pass filter is required to cut off frequencies higher than the maximum throughput frequency to prevent aliasing errors from occurring.

$$\text{Throughput } f_{\text{MAX}} (2 \text{ samples}) = 1 \div [2 (\text{S/H acquisition time} + \text{S/H settling time} + \text{A/D conversion time})]$$

Table I is a listing of various A/D throughput rates using the SHC76 S/H amplifier (assuming two samples per period).

CONVERTER	ACCURACY (Bits)	CONVERSION SPEED (μs)	RESOLUTION (Bits)	THROUGHPUT F_{MAX} (kHz)
ADC76KG	14	17	16	19.2
	14	16	15	20.0
	14	15	14	20.8
ADC76JG	13	17	16	23.8
	13	16	15	25.0
	13	15	14	26.3
ADC71KG	14	57	16	7.58
	14	54	15	7.94
	14	50	14	8.47
ADC71JG	13	57	16	8.20
	13	54	15	8.62
	13	50	14	9.26

TABLE I. A/D Converter Throughput Rates.

APPLICATIONS

Figures 2 and 3 show the SHC76 in combination with an ADC76 and ADC71 to provide 14-bit accurate A/D conversion systems.

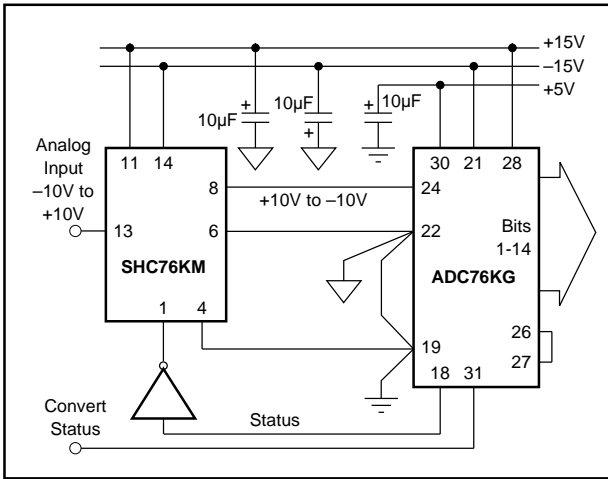


FIGURE 2. A 20kHz A/D Conversion System (14-bit accurate).

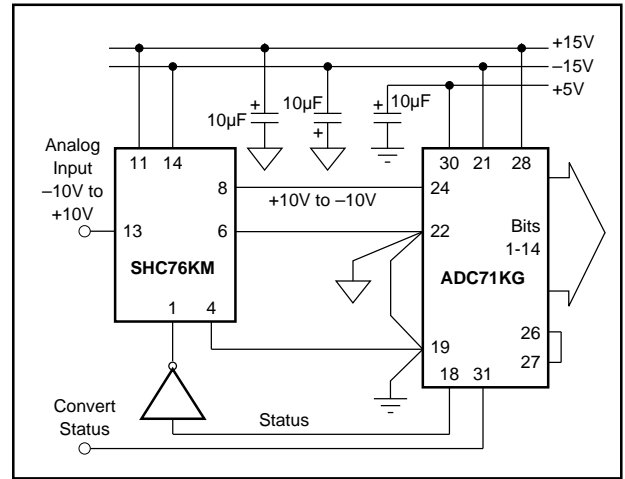
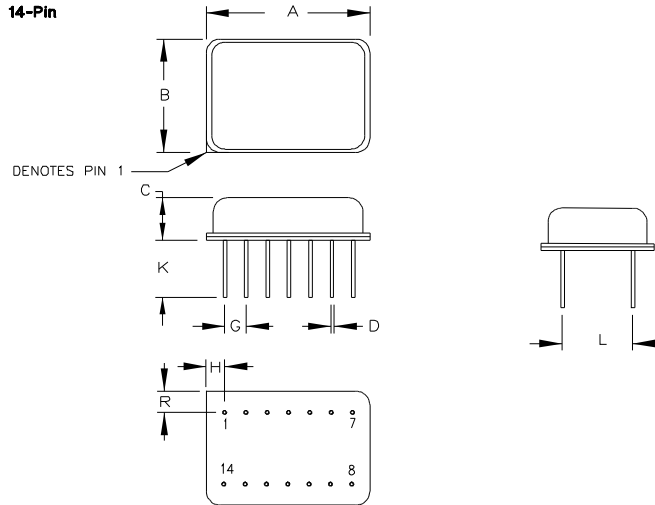


FIGURE 3. A 8.47kHz A/D Conversion System (14-bit accurate).

PACKAGE DRAWING

Package Number 107 - 14-Pin



DIM	INCHES		MILLIMETERS		N O T E	DIM	INCHES		MILLIMETERS		N O T E
	MIN.	MAX.	MIN.	MAX.			MIN.	MAX.	MIN.	MAX.	
A	.860	.880	21.84	22.35							
B	.490	.510	12.45	12.95							
C	.170	.250	4.32	6.35							
D	.016	.021	0.41	0.53							
G	.100	BASIC	2.54	BASIC							
H	.115	.155	2.92	3.94							
K	.150	.300	3.81	7.62							
L	.300	BASIC	7.62	BASIC							
R	.080	.120	2.03	3.05							

NOTES:
 1. LEADS IN TRUE POSITION WITHIN .010" (.25mm) R @ MMC AT SEATING PLANE.
 2. PIN NUMBERS SHOWN FOR REFERENCE ONLY. NUMBERS MAY NOT BE MARKED ON THE PACKAGE.

PACKAGE NUMBER: ZZ107 REV.: A
 JEDEC NUMBER: UNKNOWN