

PCM63P

Colinear™ 20-Bit Monolithic Audio DIGITAL-TO-ANALOG CONVERTER

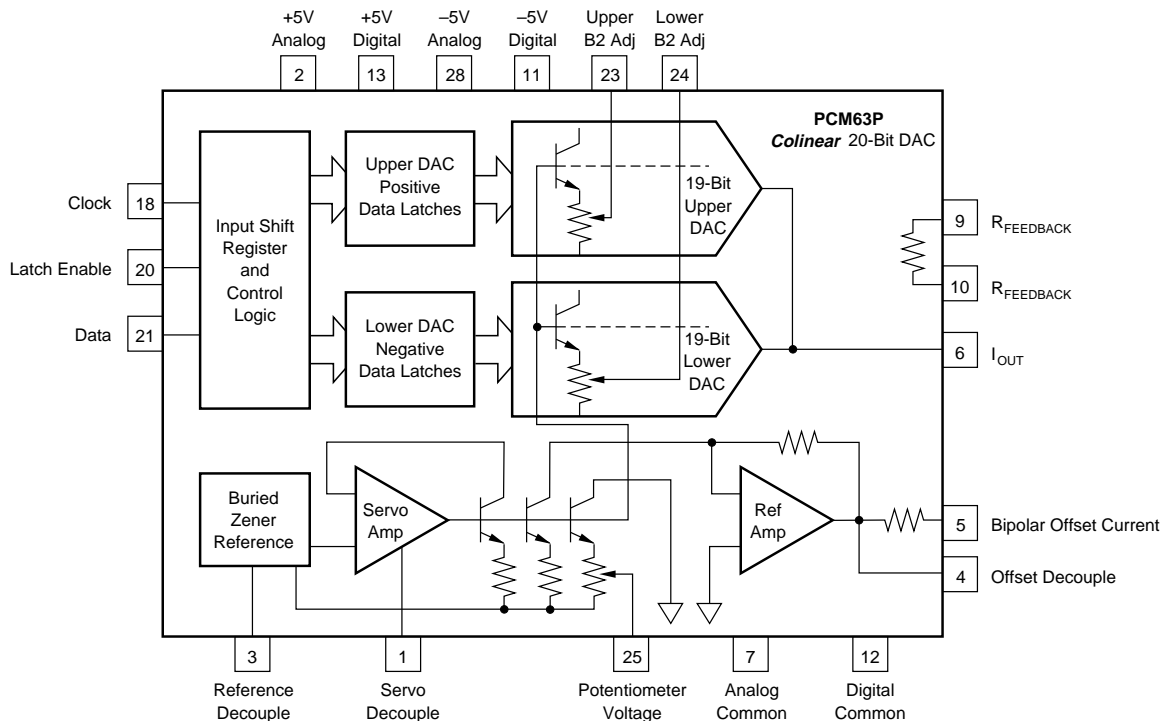
FEATURES

- COLINEAR 20-BIT AUDIO DAC
- NEAR-IDEAL LOW LEVEL OPERATION
- GLITCH-FREE OUTPUT
- ULTRA LOW -96dB max THD+N
(Without External Adjustment)
- 116dB SNR min (A-Weight Method)
- INDUSTRY STD SERIAL INPUT FORMAT
- FAST (200ns) CURRENT OUTPUT
($\pm 2\text{mA}$; $\pm 2\%$ max)
- CAPABLE OF 16x OVERSAMPLING
- COMPLETE WITH REFERENCE

DESCRIPTION

The PCM63P is a precision 20-bit digital-to-analog converter with ultra-low distortion (-96dB max with a full scale output; PCM63P-K). Incorporated into the PCM63P is a unique *Colinear* dual-DAC per channel architecture that eliminates unwanted glitches and other nonlinearities around bipolar zero. The PCM63P also features a very low noise (116dB max SNR; A-weighted method) and fast settling current output (200ns typ, 2mA step) which is capable of 16-times oversampling rates.

Applications include very low distortion frequency synthesis and high-end consumer and professional digital audio applications.



Colinear™, Burr-Brown Corp.

International Airport Industrial Park • Mailing Address: PO Box 11400 • Tucson, AZ 85734 • Street Address: 6730 S. Tucson Blvd. • Tucson, AZ 85706
Tel: (520) 746-1111 • Twx: 910-952-1111 • Cable: BBRCORP • Telex: 066-6491 • FAX: (520) 889-1510 • Immediate Product Info: (800) 548-6132

SPECIFICATIONS

ELECTRICAL

All specifications at 25°C and $\pm V_A$ and $\pm V_D = \pm 5V$, unless otherwise noted.

PARAMETER	CONDITIONS	PCM63P, PCM63P-J, PCM63P-K			UNITS
		MIN	TYP	MAX	
RESOLUTION		20			Bits
DYNAMIC RANGE , THD+N at -60dB Referred to Full Scale					
PCM63P		96	100		dB
PCM63P-J		100	104		dB
PCM63P-K		104	108		dB
DIGITAL INPUT					
Logic Family		TTL/CMOS Compatible			
Logic Level: V_{IH}		+2.4		$+V_D$	V
V_{IL}		0		0.8	V
I_{IH}	$V_{IH} = +2.7V$			+1	μA
I_{IL}	$V_{IL} = +0.4V$			-50	μA
Data Format		Serial, MSB First, BTC ⁽¹⁾			
Input Clock Frequency			12.5	25	MHz
TOTAL HARMONIC DISTORTION + N⁽²⁾ , Without Adjustments					
PCM63P					
f = 991Hz (0dB) ⁽³⁾	$f_S = 352.8kHz^{(4)}$		-92	-88	dB
f = 991Hz (-20dB)	$f_S = 352.8kHz$		-80	-74	dB
f = 991Hz (-60dB)	$f_S = 352.8kHz$		-40	-36	dB
PCM63P-J					
f = 991Hz (0dB)	$f_S = 352.8kHz$		-96	-92	dB
f = 991Hz (-20dB)	$f_S = 352.8kHz$		-82	-76	dB
f = 991Hz (-60dB)	$f_S = 352.8kHz$		-44	-40	dB
PCM63P-K					
f = 991Hz (0dB)	$f_S = 352.8kHz$		-100	-96	dB
f = 991Hz (-20dB)	$f_S = 352.8kHz$		-88	-82	dB
f = 991Hz (-60dB)	$f_S = 352.8kHz$		-48	-44	dB
ACCURACY					
Level Linearity	at -90dB Signal Level		± 0.3	± 1	dB
Gain Error			± 1	± 2	%
Bipolar Zero Error ⁽⁵⁾			± 10		mV
Gain Drift	0°C to 70°C		25		ppm/°C
Bipolar Zero Drift	0°C to 70°C		4		ppm of FSR/°C
Warm-up Time		1			Minute
IDLE CHANNEL SNR⁽⁶⁾	20Hz to 20kHz at BPZ ⁽⁷⁾	+116	+120		dB
POWER SUPPLY REJECTION			+86		dB
ANALOG OUTPUT					
Output Range			± 2.00		mA
Output Impedance			670		Ω
Internal $R_{FEEDBACK}$			1.5		k Ω
Settling Time	2mA Step		200		ns
Glitch Energy			No Glitch Around Zero		
POWER SUPPLY REQUIREMENTS					
$\pm V_A, \pm V_D$ Supply Voltage Range		± 4.50	± 5	± 5.50	V
$+I_A, +I_D$ Combined Supply Current	$+V_A, +V_D = +5V$		10	15	mA
$-I_A, -I_D$ Combined Supply Current	$-V_A, -V_D = -5V$		-35	-45	mA
Power Dissipation	$\pm V_A, \pm V_D = \pm 5V$		225	300	mW
TEMPERATURE RANGE					
Specification		0		+70	°C
Operating		-40		+85	°C
Storage		-60		+100	°C

NOTES: (1) Binary Two's Complement coding. (2) Ratio of (Distortion_{RMS} + Noise_{RMS}) / Signal_{RMS}. (3) D/A converter output frequency (signal level). (4) D/A converter sample frequency (8 x 44.1kHz; 8x oversampling). (5) Offset error at bipolar zero. (6) Measured using an OPA27 and 1.5k Ω feedback and an A-weighted filter. (7) Bipolar Zero.

The information provided herein is believed to be reliable; however, BURR-BROWN assumes no responsibility for inaccuracies or omissions. BURR-BROWN assumes no responsibility for the use of this information, and all use of such information shall be entirely at the user's own risk. Prices and specifications are subject to change without notice. No patent rights or licenses to any of the circuits described herein are implied or granted to any third party. BURR-BROWN does not authorize or warrant any BURR-BROWN product for use in life support devices and/or systems.

PIN ASSIGNMENTS

PIN	DESCRIPTION	MNEMONIC
P1	Servo Amp Decoupling Capacitor	CAP
P2	+5V Analog Supply Voltage	+V _A
P3	Reference Decoupling Capacitor	CAP
P4	Offset Decoupling Capacitor	CAP
P5	Bipolar Offset Current Output (+2mA)	BPO
P6	DAC Current Output (0 to -4mA)	I _{OUT}
P7	Analog Common Connection	ACOM
P8	No Connection	NC
P9	Feedback Resistor Connection (1.5kΩ)	RF ₁
P10	Feedback Resistor Connection (1.5kΩ)	RF ₂
P11	-5V Digital Supply Voltage	-V _D
P12	Digital Common Connection	DCOM
P13	+5V Digital Voltage Supply	+V _D
P14	No Connection	NC
P15	No Connection	NC
P16	No Connection	NC
P17	No Connection	NC
P18	DAC Data Clock Input	CLK
P19	No Connection	NC
P20	DAC Data Latch Enable	LE
P21	DAC Data Input	DATA
P22	No Connection	NC
P23	Optional Upper DAC Bit-2 Adjust (-4.29V)*	UB2 Adj
P24	Optional Lower DAC Bit-2 Adjust (-4.29V)*	LB2 Adj
P25	Bit Adjust Reference Voltage Tap (-3.52V)*	V _{POT}
P26	No Connection	NC
P27	No Connection	NC
P28	-5V Analog Supply Voltage	-V _A

*Nominal voltages at these nodes assuming $\pm V_A$; $\pm V_D = \pm 5V$.

ABSOLUTE MAXIMUM RATINGS

+V _A , +V _D to ACOM/DCOM	0V to +8V
-V _A , -V _D to ACOM/DCOM	0V to -8V
-V _A , -V _D to +V _A , +V _D	0V to +16V
ACOM to DCOM	±0.5V
Digital Inputs (pins 18, 20, 21) to DCOM	-1V to +V _D
Power Dissipation	500mW
Lead Temperature, (soldering, 10s)	+300°C
Max Junction Temperature	165°C
Thermal Resistance, θ_{JA}	70°C/W

NOTE: Stresses above those listed under "Absolute Maximum Ratings" may cause permanent damage to the device. Exposure to absolute maximum conditions for extended periods may affect device reliability.

PACKAGE INFORMATION

MODEL	PACKAGE	PACKAGE DRAWING NUMBER ⁽¹⁾
PCM63P	28-Pin Plastic DIP	215
PCM63P-J	28-Pin Plastic DIP	215
PCM63P-K	28-Pin Plastic DIP	215

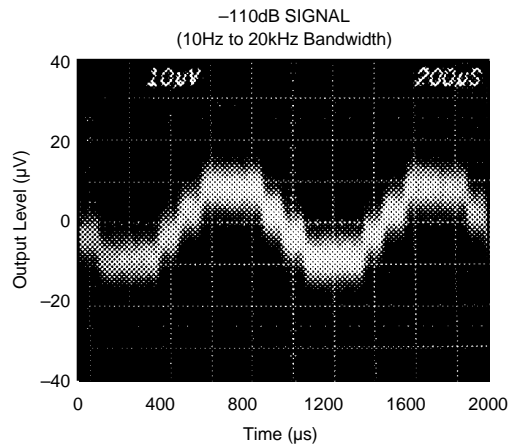
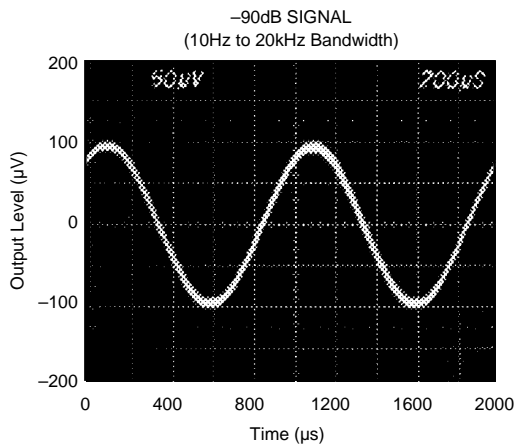
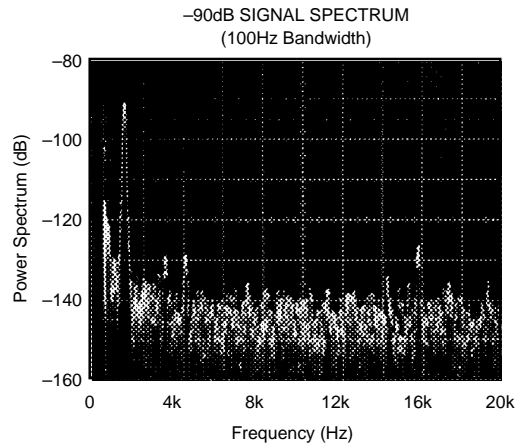
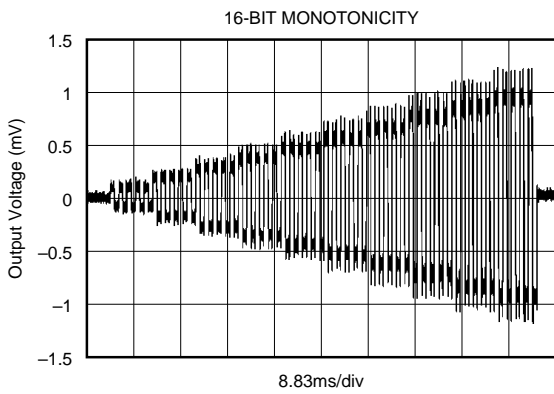
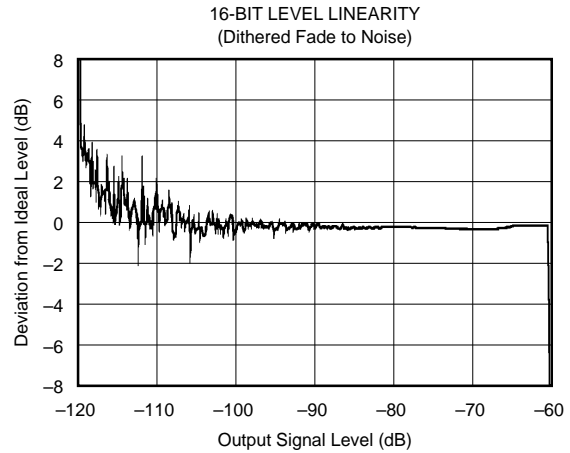
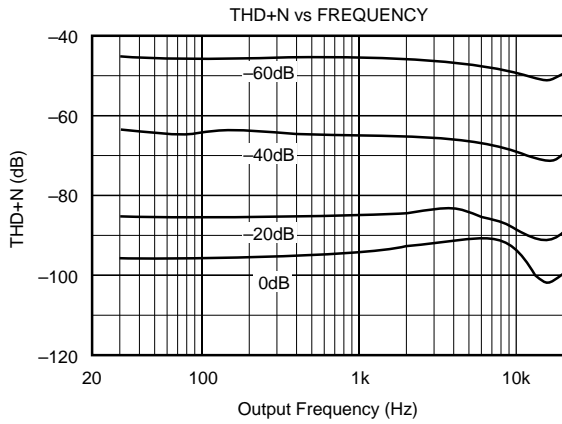
NOTE: (1) For detailed drawing and dimension table, please see end of data sheet, or Appendix D of Burr-Brown IC Data Book.

ORDERING INFORMATION

MODEL	PACKAGE	TEMPERATURE RANGE	MAX THD+N, AT 0dB
PCM63P	28-Pin Plastic DIP	0°C to +70°C	-88dB
PCM63P-J	28-Pin Plastic DIP	0°C to +70°C	-92dB
PCM63P-K	28-Pin Plastic DIP	0°C to +70°C	-96dB

TYPICAL PERFORMANCE CURVES

All specifications at 25°C and $\pm V_A$ and $\pm V_D = \pm 5.0V$, unless otherwise noted.



THEORY OF OPERATION

DUAL-DAC COLINEAR ARCHITECTURE

Digital audio systems have traditionally used laser-trimmed, current-source DACs in order to achieve sufficient accuracy. However even the best of these suffer from potential low-level nonlinearity due to errors at the major carry bipolar zero transition. More recently, DACs employing a different architecture which utilizes noise shaping techniques and very high oversampling frequencies, have been introduced (“Bitstream”, “MASH”, or 1-bit DACs). These DACs overcome the low level linearity problem, but only at the expense of signal-to-noise performance, and often to the detriment of channel separation and intermodulation distortion if the succeeding circuitry is not carefully designed.

The PCM63 is a new solution to the problem. It combines all the advantages of a conventional DAC (excellent full scale performance, high signal-to-noise ratio and ease of use) with superior low-level performance. Two DACs are combined in a complementary arrangement to produce an extremely linear output. The two DACs share a common reference and a common R-2R ladder to ensure perfect tracking under all conditions. By interleaving the individual bits of each DAC and employing precise laser trimming of resistors, the highly accurate match required between DACs is achieved.

This new, complementary linear or dual-DAC **Colinear** approach, which steps away from zero with small steps in both directions, avoids any glitching or “large” linearity errors and provides an absolute current output. The low level performance of the PCM63P is such that real 20-bit resolution can be realized, especially around the critical bipolar zero point.

Table I shows the conversion made by the internal logic of the PCM63P from binary two’s complement (BTC). Also, the resulting internal codes to the upper and lower DACs (see front page block diagram) are listed. Notice that only the LSB portions of either internal DAC are changing around bipolar zero. This accounts for the superlative performance of the PCM63P in this area of operation.

ANALOG OUTPUT	INPUT CODE (20-bit Binary Two's Complement)	LOWER DAC CODE (19-bit Straight Binary)	UPPER DAC CODE (19-bit Straight Binary)
+Full Scale	011...111	111...111 + 1LSB*	111...111
+Full Scale – 1LSB	011...110	111...111 + 1LSB*	111...110
Bipolar Zero + 2LSB	000...010	111...111 + 1LSB*	000...010
Bipolar Zero + 1LSB	000...001	111...111 + 1LSB*	000...001
Bipolar Zero	000...000	111...111 + 1LSB*	000...000
Bipolar Zero – 1LSB	111...111	111...111	000...000
Bipolar Zero – 2LSB	111...110	111...110	000...000
–Full Scale + 1LSB	100...001	000...001	000...000
–Full Scale	100...000	000...000	000...000

*The extra weight of 1LSB is added at this point to make the transfer function symmetrical around bipolar zero.

TABLE I. Binary Two’s Complement to **Colinear** Conversion Chart.

DISCUSSION OF SPECIFICATIONS

DYNAMIC SPECIFICATIONS

Total Harmonic Distortion + Noise

The key specification for the PCM63P is total harmonic distortion plus noise (THD+N). Digital data words are read into the PCM63P at eight times the standard compact disk audio sampling frequency of 44.1kHz (352.8kHz) so that a sine wave output of 991Hz is realized. For production testing, the output of the DAC goes to an I to V converter, then to a programmable gain amplifier to provide gain at lower signal output test levels, and then through a 40kHz low pass filter before being fed into an analog type distortion analyzer. Figure 1 shows a block diagram of the production THD+N test setup.

For the audio bandwidth, THD+N of the PCM63P is essentially flat for all frequencies. The typical performance curve, “THD+N vs Frequency”, shows four different output signal levels: 0dB, –20dB, –40dB, and –60dB. The test signals are derived from a special compact test disk (the CBS CD-1). It is interesting to note that the –20dB signal falls only about 10dB below the full scale signal instead of the expected 20dB. This is primarily due to the superior low-level signal performance of the dual-DAC **Colinear** architecture of the PCM63P.

In terms of signal measurement, THD+N is the ratio of $\text{Distortion}_{\text{RMS}} + \text{Noise}_{\text{RMS}} / \text{Signal}_{\text{RMS}}$ expressed in dB. For the PCM63P, THD+N is 100% tested at all three specified output levels using the test setup shown in Figure 1. It is significant to note that this test setup does not include any output deglitching circuitry. All specifications are achieved without the use of external deglitchers.

Dynamic Range

Dynamic range in audio converters is specified as the measure of THD+N at an effective output signal level of –60dB referred to 0dB. Resolution is commonly used as a theoretical measure of dynamic range, but it does not take into account the effects of distortion and noise at low signal levels. The

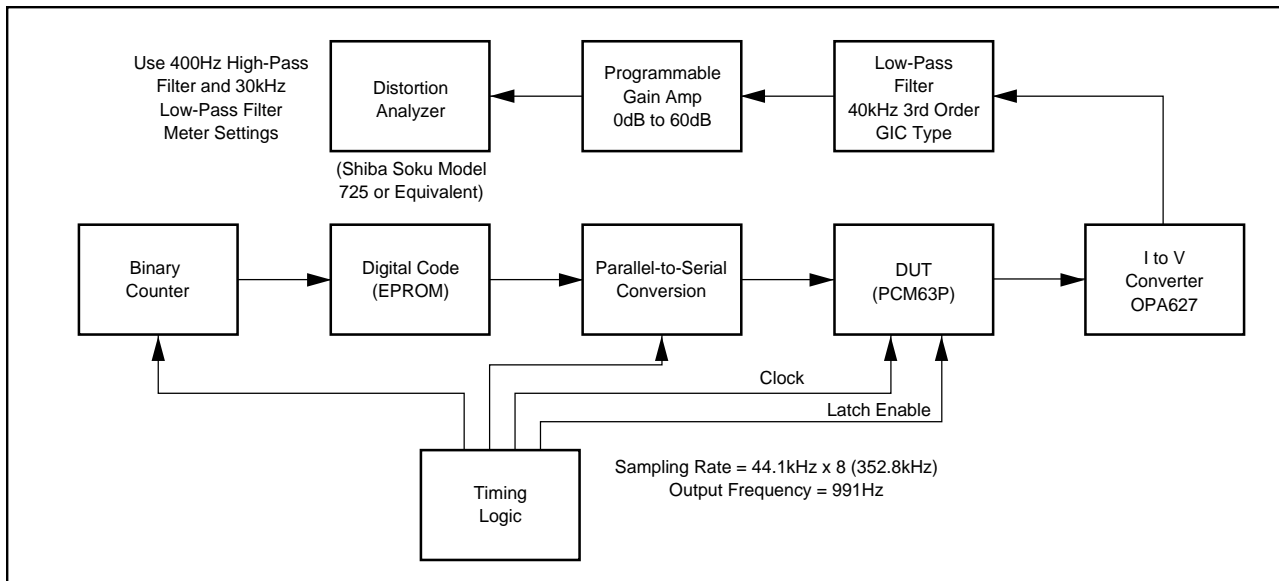


FIGURE 1. Production THD+N Test Setup.

Colinear architecture of the PCM63P, with its ideal performance around bipolar zero, provides a more usable dynamic range, even using the strict audio definition, than any previously available D/A converter.

Level Linearity

Deviation from ideal versus actual signal level is sometimes called “level linearity” in digital audio converter testing. See the “-90dB Signal Spectrum” plot in the Typical Performance Curves section for the power spectrum of a PCM63P at a -90dB output level. (The “-90dB Signal” plot shows the actual -90dB output of the DAC). The deviation from ideal for PCM63P at this signal level is typically less than ± 0.3 dB. For the “-110dB Signal” plot in the Typical Performance Curves section, true 20-bit digital code is used to generate a -110dB output signal. This type of performance is possible only with the low-noise, near-theoretical performance around bipolar zero of the PCM63P’s **Colinear** DAC circuitry.

A commonly tested digital audio parameter is the amount of deviation from ideal of a 1kHz signal when its amplitude is decreased from -60dB to -120dB. A digitally dithered input signal is applied to reach effective output levels of -120dB using only the available 16-bit code from a special compact disk test input. See the “16-Bit Level Linearity” plot in the Typical Performance Curves section for the results of a PCM63P tested using this 16-bit dithered fade-to-noise signal. Note the very small deviation from ideal as the signal goes from -60dB to -100dB.

DC SPECIFICATIONS

Idle Channel SNR

Another appropriate specification for a digital audio converter is idle channel signal-to-noise ratio (idle channel SNR). This is the ratio of the noise on the DAC output at bipolar zero in relation to the full scale range of the DAC. To

make this measurement, the digital input is continuously fed the code for bipolar zero while the output of the DAC is band-limited from 20Hz to 20kHz and an A-weighted filter is applied. The idle channel SNR for the PCM63P is typically greater than 120dB, making it ideal for low-noise applications.

Monotonicity

Because of the unique dual-DAC **Colinear** architecture of the PCM63P, increasing values of digital input will always result in increasing values of DAC output as the signal moves away from bipolar zero in one-LSB steps (in either direction). The “16-Bit Monotonicity” plot in the Typical Performance Curves section was generated using 16-bit digital code from a test compact disk. The test starts with 10 periods of bipolar zero. Next are 10 periods of alternating 1LSBs above and below zero, and then 10 periods of alternating 2LSBs above and below zero, and so on until 10LSBs above and below zero are reached. The signal pattern then begins again at bipolar zero.

With PCM63P, the low-noise steps are clearly defined and increase in near-perfect proportion. This performance is achieved without any external adjustments. By contrast, sigma-delta (“Bitstream”, “MASH”, or 1-bit DAC) architectures are too noisy to even see the first 3 or 4 bits change (at 16 bits), other than by a change in the noise level.

Absolute Linearity

Even though absolute integral and differential linearity specs are not given for the PCM63P, the extremely low THD+N performance is typically indicative of 16-bit to 17-bit integral linearity in the DAC, depending on the grade specified. The relationship between THD+N and linearity, however, is not such that an absolute linearity specification for every individual output code can be guaranteed.

Offset, Gain, And Temperature Drift

Although the PCM63P is primarily meant for use in dynamic applications, specifications are also given for more traditional DC parameters such as gain error, bipolar zero offset error, and temperature gain and offset drift.

DIGITAL INPUT

Timing Considerations

The PCM63P accepts TTL compatible logic input levels. Noise immunity is enhanced by the use of differential current mode logic input architectures on all input signal lines. The data format of the PCM63P is binary two's complement (BTC) with the most significant bit (MSB) being first in the serial input bit stream. Table II describes the exact relationship of input data to voltage output coding. Any number of bits can precede the 20 bits to be loaded, since only the last 20 will be transferred to the parallel DAC register after LE (P20, Latch Enable) has gone low.

All DAC serial input data (P21, DATA) bit transfers are triggered on positive clock (P18, CLK) edges. The serial-to-parallel data transfer to the DAC occurs on the falling edge of Latch Enable (P20, LE). The change in the output of the DAC coincides with the falling edge of Latch Enable (P20, LE). Refer to Figure 2 for graphical relationships of these signals.

Maximum Clock Rate

A typical clock rate of 16.9MHz for the PCM63P is derived by multiplying the standard audio sample rate of 44.1kHz by

sixteen times (16x oversampling) the standard audio word bit length of 24 bits ($44.1\text{kHz} \times 16 \times 24 = 16.9\text{MHz}$). Note that this clock rate accommodates a 24-bit word length, even though only 20 bits are actually being used. The maximum clock rate of 25MHz is guaranteed, but is not 100% final tested. The setup and hold timing relationships are shown in Figure 3.

“Stopped Clock” Operation

The PCM63P is normally operated with a continuous clock input signal. If the clock is to be stopped between input data words, the last 20 bits shifted in are not actually shifted from the serial register to the latched parallel DAC register until Latch Enable (LE, P20) goes low. Latch Enable must remain low until after the first clock cycle of the next data word to insure proper DAC operation. In any case, the setup and hold times for Data and LE must be observed as shown in Figure 3.

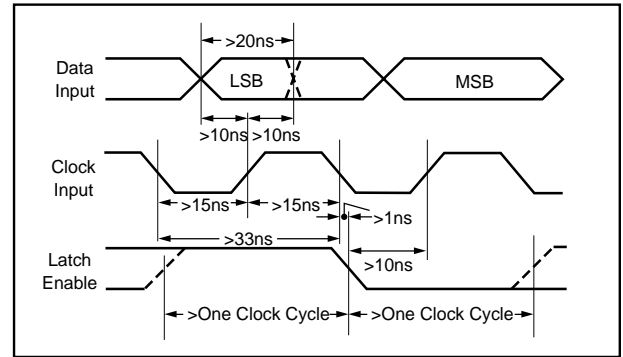


FIGURE 3. Setup and Hold Timing Diagram.

DIGITAL INPUT	ANALOG OUTPUT	CURRENT OUTPUT	VOLTAGE OUTPUT (With External Op Amp)
1,048,576LSBs	Full Scale Range	4.0000000mA	6.0000000V
1LSB	NA	3.81469727nA	5.72204590μV
7FFFF _{HEX}	+Full Scale	-1.99999619mA	+2.99999428V
00000 _{HEX}	Bipolar Zero	0.0000000mA	0.0000000V
FFFFF _{HEX}	Bipolar Zero - 1LSB	+0.00000381mA	-0.00000572V
80000 _{HEX}	-Full Scale	+2.0000000mA	-3.0000000V

TABLE II. Digital Input/Output Relationships.

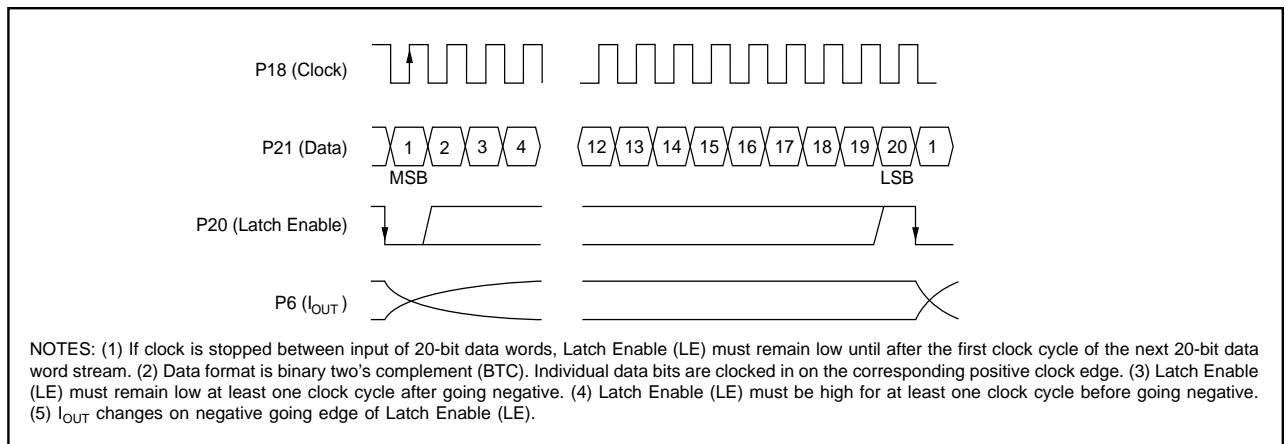


FIGURE 2. Timing Diagram.

INSTALLATION

POWER SUPPLIES

Refer to Figure 4 for proper connection of the PCM63P in the voltage-out mode using the internal feedback resistor. The feedback resistor connections (P9 and P10) should be left open if not used. The PCM63P only requires a $\pm 5V$ supply. Both positive supplies should be tied together at a single point. Similarly, both negative supplies should be connected together. No real advantage is gained by using separate analog and digital supplies. It is more important that both these supplies be as “clean” as possible to reduce coupling of supply noise to the output. Power supply decoupling capacitors should be used at each supply pin to maximize power supply rejection, as shown in Figure 4, regardless of how good the supplies are. Both commons should be connected to an analog ground plane as close to the PCM63P as possible.

FILTER CAPACITOR REQUIREMENTS

As shown in Figure 4, various size decoupling capacitors can be used, with no special tolerances being required. The size of the offset decoupling capacitor is not critical either, with larger values (up to $100\mu F$) giving slightly better SNR readings. All capacitors should be as close to the appropriate pins of the PCM63P as possible to reduce noise pickup from surrounding circuitry.

MSB ADJUSTMENT CIRCUITRY

Near optimum performance can be maintained at all signal levels without using the optional MSB adjust circuitry of the PCM63P shown in Figure 5. Adjustability is provided for those cases where slightly better full-scale THD+N is

desired. Use of the MSB adjustments will only affect larger dynamic signals (between 0dB and -6dB). This improvement comes from bettering the gain match between the upper and lower DACs at these signal levels. The change is realized by small adjustments in the bit-2 weights of each DAC. Great care should be taken, however, as improper adjustment will easily result in degraded performance.

In theory, the adjustments would seem very simple to perform, but in practice they are actually quite complex. The first step in the theoretical procedure would involve making each bit-2 weight ideal in relation to its code minus one value (adjusting each potentiometer for zero differential nonlinearity error at the bit-2 major carries). This would be the starting point of each $100k\Omega$ potentiometer for the next adjustment. Then, each potentiometer would be adjusted equally, in opposite directions, to achieve the lowest full-scale THD+N possible (reversing the direction of rotation

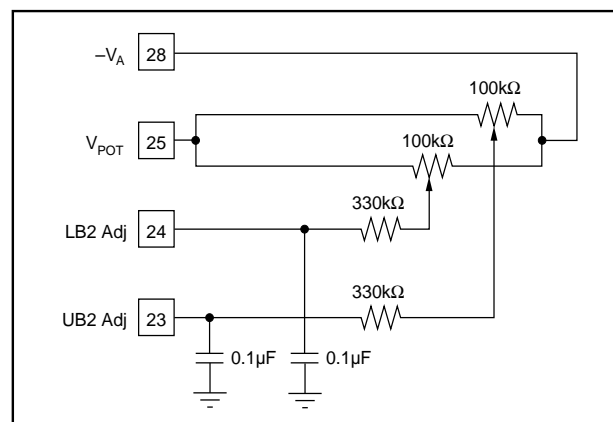


FIGURE 5. Optional Bit-2 Adjustment Circuitry.

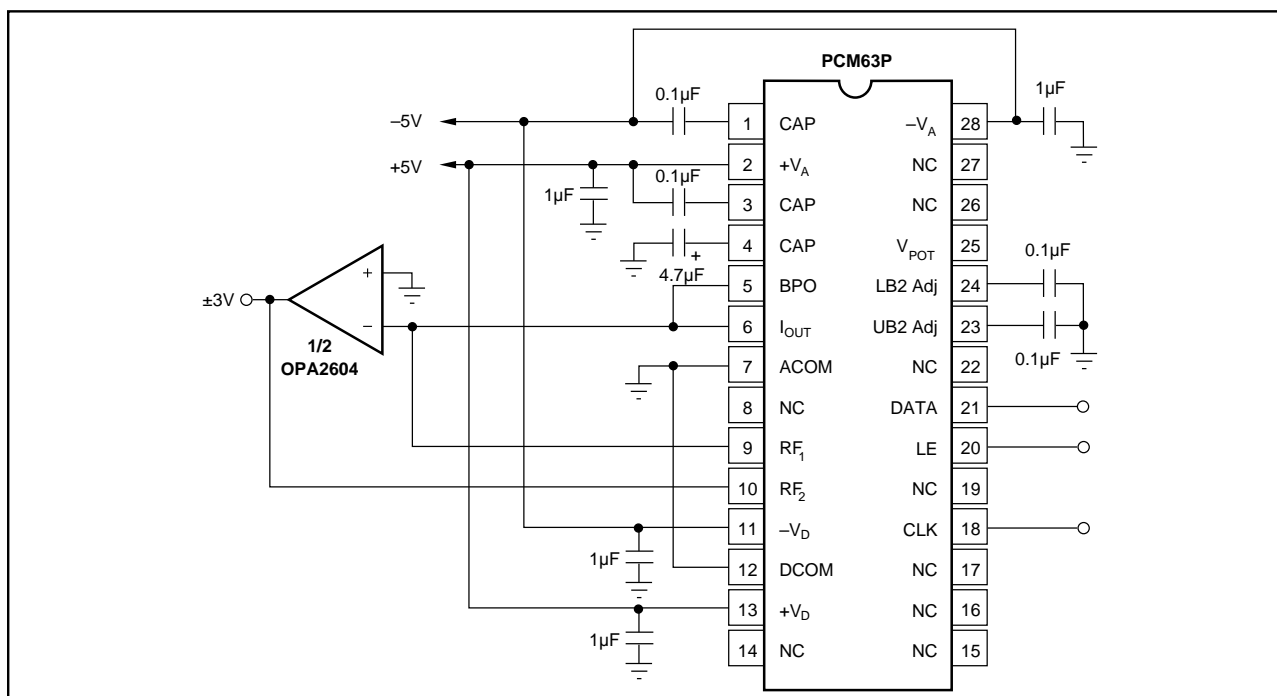


FIGURE 4. Connection Diagram.

for both if no immediate improvement were noted). This procedure would require the generation of the digital bit-2 major carry code to the input of the PCM63P and a DVM or oscilloscope capable of reading the output voltage for a one LSB step ($5.72\mu\text{V}$) in addition to a distortion analyzer.

A more practical approach would be to forego the minor correction for the bit-2 major carry adjustment and only adjust for upper and lower DAC gain matching. The problem is that just by connecting the MSB circuitry to the PCM63P, the odds are that the upper and lower bit-2 weights would be greatly changed from their unadjusted states and thereby adversely affect the desired gain adjustment. Just centering the $100\text{k}\Omega$ potentiometers would not necessarily provide the correct starting point. To guarantee that each $100\text{k}\Omega$ potentiometer would be set to the correct starting or null point (no current into or out of the MSB adjust pins), the voltage drop across each corresponding $330\text{k}\Omega$ resistor would have to measure 0V . A voltage drop of $\pm 1.25\text{mV}$ across either $330\text{k}\Omega$ resistor would correspond to a $\pm 1\text{LSB}$ change in the null point from its unadjusted state (1LSB in current or $3.81\text{nA} \times 330\text{k}\Omega = 1.26\text{mV}$). Once these starting points for each potentiometer had been set, each potentiometer would then be adjusted equally, in opposite directions, to achieve the lowest full-scale THD+N possible. If no immediate improvement were noted, the direction of rotation for both potentiometers would be reversed. One direction of potentiometer counter-rotations would only make the gain mismatch and resulting THD+N worse, while the opposite would gradually improve and then worsen the THD+N after passing through a no mismatch point. The determination of

the correct starting direction would be arbitrary. This procedure still requires a good DVM in addition to a distortion analyzer.

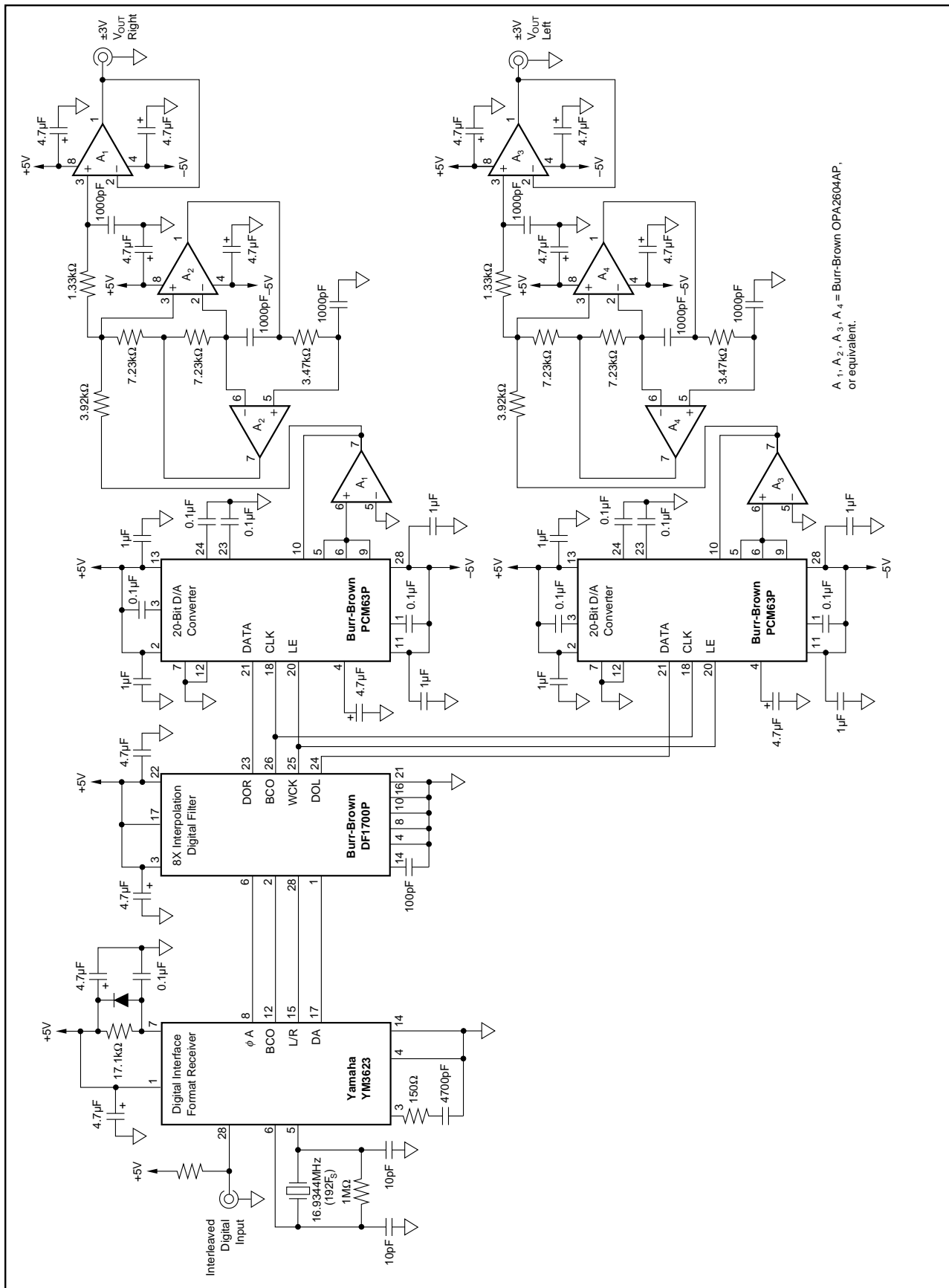
Each user will have to determine if a small improvement in full-scale THD+N for their application is worth the expense of performing a proper MSB adjustment.

APPLICATIONS

The most common application for the PCM63P is in high-performance and professional digital audio playback, such as in CD and DAT players. The circuit in Figure 6 shows the PCM63P in a typical combination with a digital interface format receiver chip (Yamaha YM3623), an 8X interpolating digital filter (Burr-Brown DF1700P), and two third-order low-pass anti-imaging filters (implemented using Burr-Brown OPA2604APs).

Using an 8X digital filter increases the number of samples to the DAC by a factor of 8, thereby reducing the need for a higher order reconstruction or anti-imaging analog filter on the DAC output. An analog filter can now be constructed using a simple phase-linear GIC (generalized immittance converter) architecture. Excellent sonic performance is achieved using a digital filter in the design, while reducing overall circuit complexity at the same time.

Because of its superior low-level performance, the PCM63P is also ideally suited for other high-performance applications such as direct digital synthesis (DDS).



A₁, A₂, A₃, A₄ = Burr-Brown OPA2604AP, or equivalent.

FIGURE 6. Stereo Audio Application.

PACKAGE DRAWING

