



OPA511

High Current—High Power OPERATIONAL AMPLIFIER

FEATURES

- WIDE SUPPLY RANGE: $\pm 10V$ to $\pm 30V$
- HIGH OUTPUT CURRENT: 5A Peak
- CLASS A/B OUTPUT STAGE:
Low Distortion
- SMALL TO-3 PACKAGE

APPLICATIONS

- SERVO AMPLIFIER
- MOTOR DRIVER
- SYNCRO EXCITATION
- AUDIO AMPLIFIER
- TEST PIN DRIVER

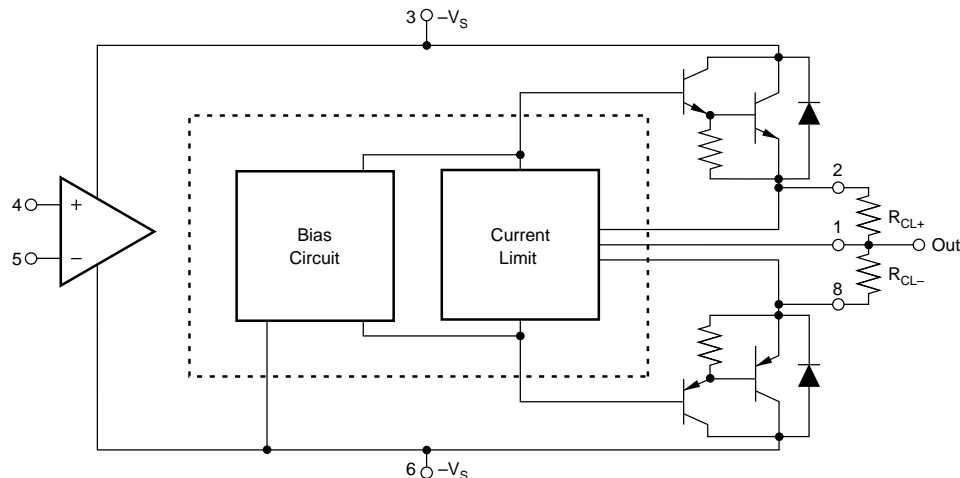
DESCRIPTION

The OPA511 is a high voltage, high current operational amplifier designed to drive a wide variety of resistive and reactive loads. Its complementary class A/B output stage provides superior performance in applications requiring freedom from cross-over distortion. User-set current limit circuitry provides protection to the amplifier and load in fault conditions.

The OPA511 employs a laser-trimmed monolithic integrated circuit to bias the output transistors,

providing excellent low-level signal fidelity and high output voltage swing. The reduced internal parts count made possible with this bias IC improves performance and reliability.

This hybrid integrated circuit is housed in a hermetically sealed TO-3 package and all circuitry is electrically isolated from the case. This allows direct mounting to a chassis or heat sink without cumbersome insulating hardware and provides optimum heat transfer.



International Airport Industrial Park • Mailing Address: PO Box 11400 • Tucson, AZ 85734 • Street Address: 6730 S. Tucson Blvd. • Tucson, AZ 85706
Tel: (520) 746-1111 • Twx: 910-952-1111 • Cable: BBRCORP • Telex: 066-6491 • FAX: (520) 889-1510 • Immediate Product Info: (800) 548-6132

SPECIFICATIONS

ELECTRICAL

At $T_c = +25^\circ\text{C}$ and $V_s = \pm 28\text{VDC}$ unless otherwise noted.

PARAMETER	CONDITIONS	OPA511AM			UNITS
		MIN	TYP	MAX	
INPUT					
OFFSET VOLTAGE Initial Offset vs Temperature vs Supply Voltage vs Power	Full Temperature Range		± 5 ± 10 ± 35 ± 20	± 10 ± 65 ± 200	mV $\mu\text{V}/^\circ\text{C}$ $\mu\text{V}/\text{V}$ $\mu\text{V}/\text{W}$
BIAS CURRENT Initial vs Temperature vs Supply voltage	Full Temperature Range		± 15 ± 0.05 ± 0.02	± 40 ± 0.4	nA $\text{nA}/^\circ\text{C}$ nA/V
OFFSET CURRENT Initial vs Temperature	Full Temperature Range		± 5 ± 0.01	± 10	nA $\text{nA}/^\circ\text{C}$
INPUT IMPEDANCE Common Mode Differential			200 10		$\text{M}\Omega$ $\text{M}\Omega$
VOLTAGE RANGE ⁽¹⁾ Common-Mode Voltage Common-Mode Rejection	Full Temperature Range $V_{\text{cm}} = V_s - 6\text{V}$	$\pm(V_s - 6)$ 70	$\pm(V_s - 3)$ 110		V dB
GAIN Open-Loop Gain at 10Hz Gain-Bandwidth Product at 1MHz Power Bandwidth Phase Margin	Full Temperature Range, full load $T_c = +25^\circ\text{C}$, full load $T_c = +25^\circ\text{C}$, $I_o = 4\text{A}$, $V_o = 40\text{Vp-p}$ Full Temperature Range	91 15	113 1 23 45		dB MHz kHz Degrees
OUTPUT Voltage Swing Full Temperature Range, $I_o = 2\text{A}$ Full Temperature Range, $I_o = 56\text{mA}$ Current, Peak Settling Time to 0.1% Slew Rate Capacitive Load: Unity Gain Gain > 4	$I_o = 5\text{A}$ $\pm(V_s - 6)$ $\pm(V_s - 5)$ 2V step $R_L = 2.5\Omega$ Full Temperature Range Full Temperature Range	$\pm(V_s - 8)$ $\pm(V_s - 5)$ ± 5 ± 1.0	$\pm(V_s - 5)$ 2 1.8	V V 3.3 SOA ⁽²⁾	V A μs $\text{V}/\mu\text{s}$ nF
POWER SUPPLY Voltage Current, Quiescent	Full Temperature Range	± 10	± 28 20	± 30 30	V mA
THERMAL RESISTANCE AC Junction to Case ⁽³⁾ DC Junction to Case Junction to Air	$f > 60\text{Hz}$ $f > 60\text{Hz}$		1.9 2.4 30	2.1 2.6	$^\circ\text{C}/\text{W}$ $^\circ\text{C}/\text{W}$ $^\circ\text{C}/\text{W}$
TEMPERATURE RANGE Case		-25		+85	$^\circ\text{C}$

NOTES: (1) $+V_s$ and $-V_s$ denote the positive and negative supply voltage respectively. Total V_s is measured from $+V_s$ to $-V_s$. (2) SOA = Safe Operating Area. (3) Rating applies if the output current alternates between both output transistors at a rate faster than 60Hz.

The information provided herein is believed to be reliable; however, BURR-BROWN assumes no responsibility for inaccuracies or omissions. BURR-BROWN assumes no responsibility for the use of this information, and all use of such information shall be entirely at the user's own risk. Prices and specifications are subject to change without notice. No patent rights or licenses to any of the circuits described herein are implied or granted to any third party. BURR-BROWN does not authorize or warrant any BURR-BROWN product for use in life support devices and/or systems.

ABSOLUTE MAXIMUM RATINGS

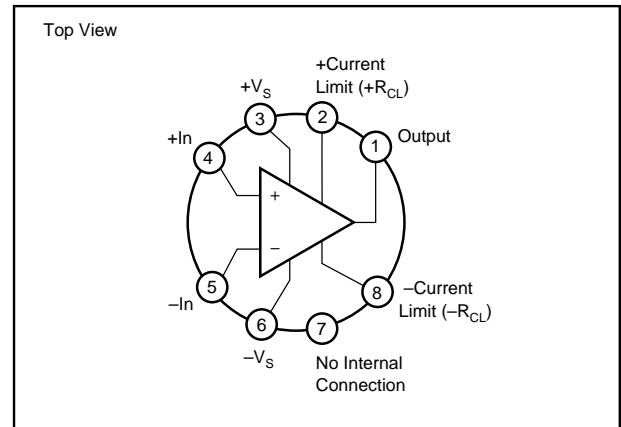
Supply Voltage, $+V_s$ to $-V_s$	68V
Output Current: Source	5A
Sink	see SOA
Power Dissipation, internal ⁽¹⁾	67W
Input Voltage: Differential	$\pm(V_s - 3V)$
Common-mode	$\pm V_s$
Temperature: Junction ⁽¹⁾	+200°C
Pin solder(10s)	+300°C
Temperature Range: Storage	-65°C to +150°C
Operating (case)	-25°C to +85°C

NOTE: (1) Long term operation at the maximum junction temperature will result in reduced product life. Derate internal power dissipation to achieve high MTTF.

ORDERING INFORMATION

MODEL	PACKAGE	TEMPERATURE RANGE
OPA511AM	TO-3	-25°C to +85°C

PIN CONFIGURATION



MECHANICAL

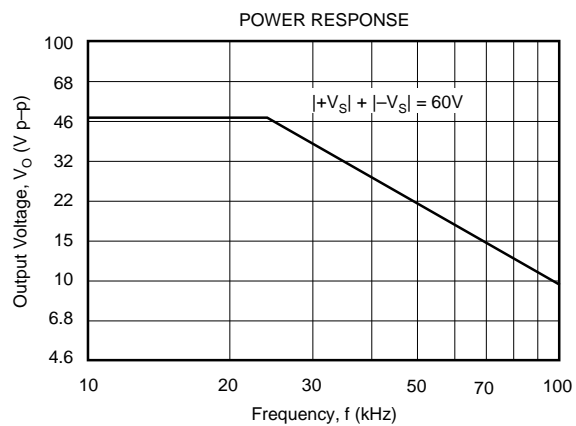
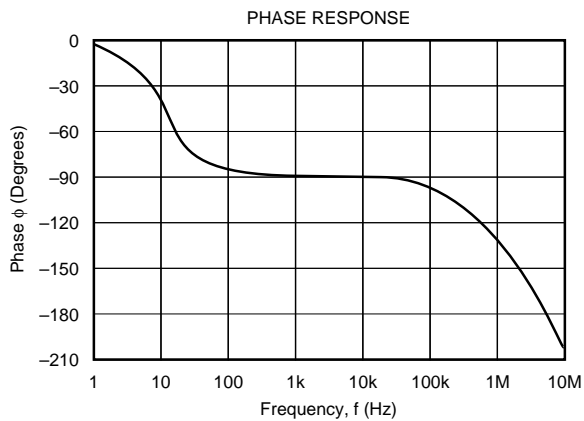
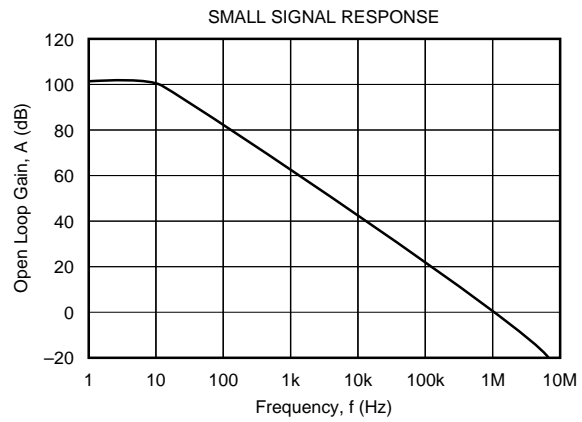
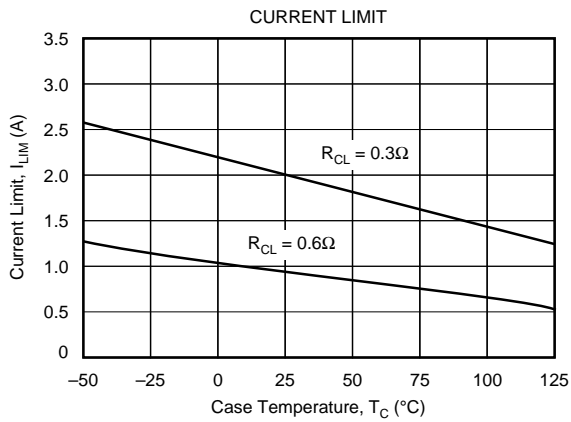
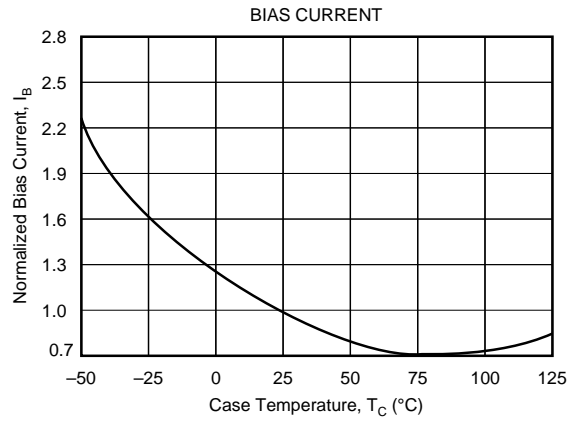
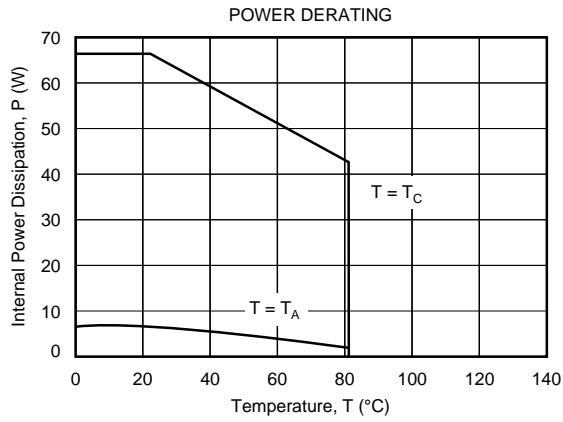
M Package — 8-Pin Metal TO-3

DIM	INCHES		MILLIMETERS	
	MIN	MAX	MIN	MAX
A	1.510	1.550	38.35	39.37
B	.745	.770	18.92	19.56
C	.260	.300	6.60	7.62
D	.038	.042	0.97	1.07
E	.080	.105	2.03	2.67
F	40° BASIC		40° BASIC	
G	.500 BASIC		12.70 BASIC	
H	1.182	1.192	30.02	30.28
J	.591	.596	15.01	15.14
K	.400	.500	10.16	12.70
Q	.151	.161	3.84	4.09
R	.980	1.020	24.89	25.91

NOTE: Leads in true position within 0.01" (0.25mm) R at MMC at seating plane. Pin numbers shown for reference only. Numbers may not be marked on package.

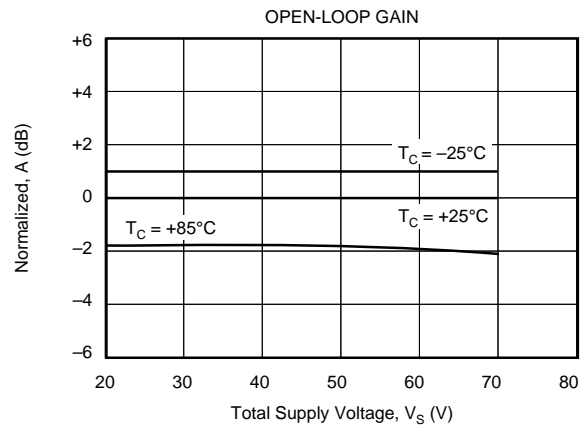
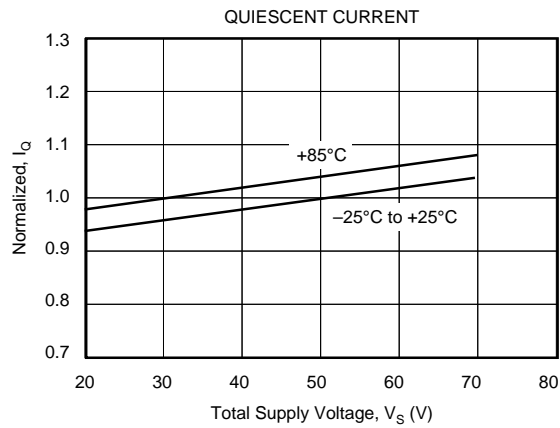
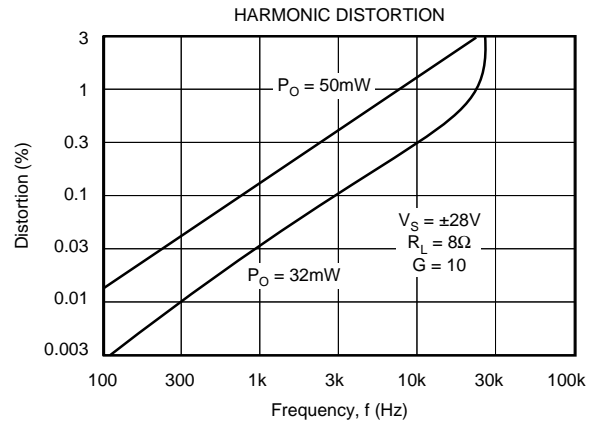
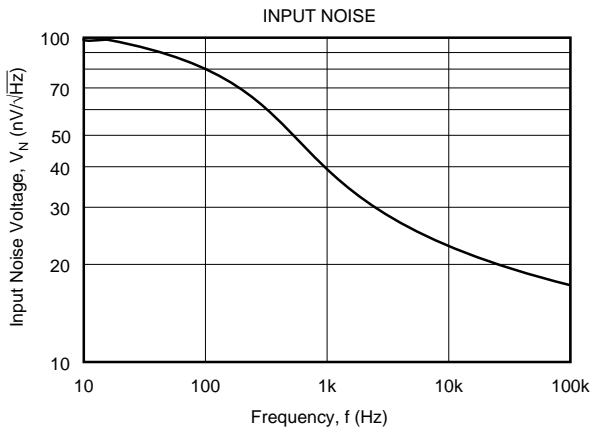
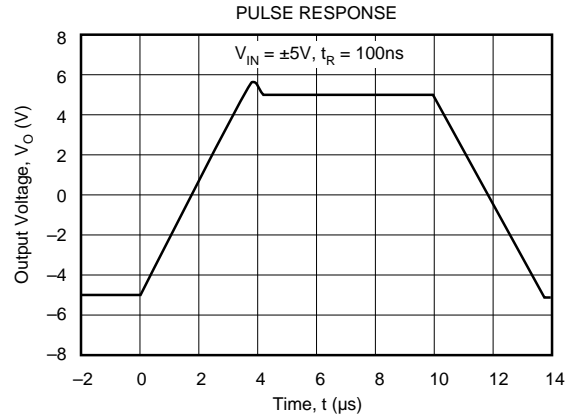
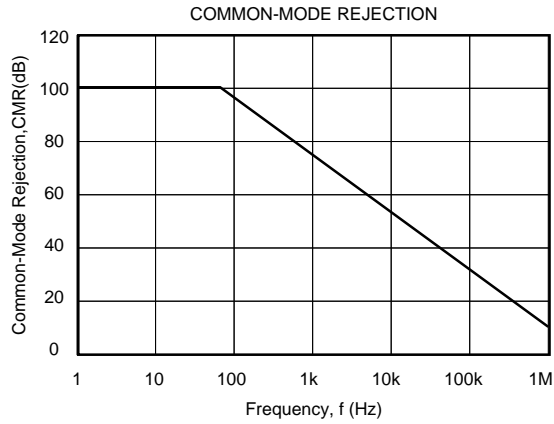
TYPICAL PERFORMANCE CURVES

$T_A = +25^\circ\text{C}$, $V_S = \pm 28\text{VDC}$ unless otherwise noted.



TYPICAL PERFORMANCE CURVES (CONT)

$T_A = +25^\circ\text{C}$, $V_S = \pm 28\text{VDC}$ unless otherwise noted.



APPLICATIONS INFORMATION

POWER SUPPLIES

Specifications for the OPA511 are based on a nominal operating voltage $\pm 28\text{V}$. A single power supply or unbalanced supplies may be used so long as the maximum total operating voltage (total of $+V_s$ and $-V_s$) is not greater than 68V.

CURRENT LIMITS

Current limit resistors must be provided for proper operation. Independent positive and negative current limit values may be selected by choice of R_{cl+} and R_{cl-} , respectively. Resistor values are calculated by:

$$R_{cl} = 0.65/I_{lim} \text{ (amps)} - 0.01$$

This is the nominal current limit value at room temperature. The maximum output current decreases at high temperature as shown in the typical performance curve. Most wirewound resistors are satisfactory, but some highly inductive types may cause loop stability problems. Be sure to evaluate performance with the actual resistors to be used in production.

HEAT SINKING

Power amplifiers are rated by case temperature (not ambient temperature). The maximum allowable power dissipation is a function of the case temperature as shown in the power derating curve. Load characteristics, signal conditions, and power supply voltage determine the power dissipated by the amplifier. The case temperature will be determined by the heat sinking conditions. Sufficient heat sinking must be provided to keep the case temperature within safe bounds given the power dissipated and ambient temperature. See Application Note AN-83 for further details.

SAFE OPERATING AREA (SOA)

The safe area plot provides a comprehensive summary of the power handling limitations of a power amplifier, including maximum current, voltage and power as well as the secondary breakdown region (see Figure 1). It shows the allowable output current as a function of the power supply to output voltage differential (voltage across the conducting power device). See Application Note AN-123 for details on SOA.

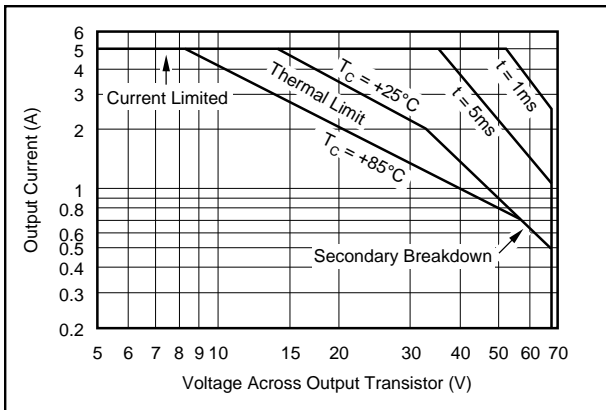


FIGURE 1. Safe Operating Area.