

Dual and single low noise op amp

NE5533/5533A/ NE/SA/SE5534/5534A

DESCRIPTION

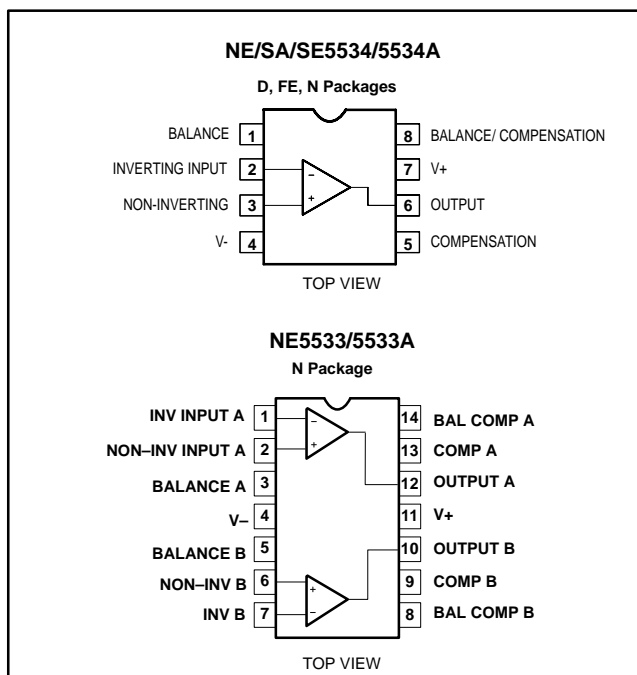
The 5533/5534 are dual and single high-performance low noise operational amplifiers. Compared to other operational amplifiers, such as TL083, they show better noise performance, improved output drive capability and considerably higher small-signal and power bandwidths.

This makes the devices especially suitable for application in high quality and professional audio equipment, in instrumentation and control circuits and telephone channel amplifiers. The op amps are internally compensated for gain equal to, or higher than, three. The frequency response can be optimized with an external compensation capacitor for various applications (unity gain amplifier, capacitive load, slew rate, low overshoot, etc.) If very low noise is of prime importance, it is recommended that the 5533A/5534A version be used which has guaranteed noise specifications.

FEATURES

- Small-signal bandwidth: 10MHz
- Output drive capability: 600Ω, 10V_{RMS} at V_S=±18V
- Input noise voltage: $4nV/\sqrt{Hz}$
- DC voltage gain: 100000
- AC voltage gain: 6000 at 10kHz
- Power bandwidth: 200kHz
- Slew rate: 13V/μs
- Large supply voltage range: ±3 to ±20V

PIN CONFIGURATIONS



APPLICATIONS

- Audio equipment
- Instrumentation and control circuits
- Telephone channel amplifiers
- Medical equipment

ORDERING INFORMATION

DESCRIPTION	TEMPERATURE RANGE	ORDER CODE	DWG #
14-Pin Plastic Dual In-Line Package (DIP)	0 to +70°C	NE5533N	0405B
14-Pin Plastic Dual In-Line Package (DIP)	0 to +70°C	NE5533AN	0405B
8-Pin Plastic Small Outline (SO) package	0 to +70°C	NE5534D	0174C
8-Pin Hermetic Ceramic Dual In-Line Package (CERDIP)	0 to +70°C	NE5534FE	
8-Pin Plastic Dual In-Line Package (DIP)	0 to +70°C	NE5534N	0404B
8-Pin Plastic Small Outline (SO) package	0 to +70°C	NE5534AD	0174C
8-Pin Hermetic Ceramic Dual In-Line Package (CERDIP)	0 to +70°C	NE5534AF	
8-Pin Plastic Dual In-Line Package (DIP)	0 to +70°C	NE5534AN	0404B
8-Pin Plastic Dual In-Line Package (DIP)	-40°C to +85°C	SA5534N	0404B
8-Pin Plastic Small Outline (SO) package	-40°C to +85°C	SA5534AD	0174C
8-Pin Plastic Dual In-Line Package (DIP)	-55°C to +125°C	SE5534N	0404B
8-Pin Hermetic Ceramic Dual In-Line Package (CERDIP)	-55°C to +125°C	SE5534AF	
8-Pin Plastic Dual In-Line Package (DIP)	-55°C to +125°C	SE5534AN	0404B
8-Pin Plastic Dual In-Line Package (DIP)	-40°C to +85°C	SA5534AN	0404B

Dual and single low noise op amp

NE5533/5533A/
NE/SA/SE5534/5534A

ABSOLUTE MAXIMUM RATINGS

SYMBOL	PARAMETER	RATING	UNIT
V _S	Supply voltage	±22	V
V _{IN}	Input voltage	±V supply	V
V _{DIFF}	Differential input voltage ¹	±0.5	V
T _A	Operating temperature range		
	SE	-55 to +125	°C
	SA	-40 to +85	°C
	NE	0 to +70	°C
T _{STG}	Storage temperature range	-65 to +150	°C
T _J	Junction temperature	150	°C
P _D	Power dissipation at 25°C ²		
	16D Pkg	1350	mW
	16N Pkg	1500	mW
	8D Pkg	750	mW
	8FE Pkg	800	mW
	8N Pkg	1150	mW
	Output short-circuit duration ³	Indefinite	
T _{SOLD}	Lead soldering temperature (10sec max)	300	°C

NOTES:

- Diodes protect the inputs against over voltage. Therefore, unless current-limiting resistors are used, large currents will flow if the differential input voltage exceeds 0.6V. Maximum current should be limited to ±10mA.
- For operation at elevated temperature, derate packages based on the following junction-to-ambient thermal resistance:
 - 8-pin ceramic DIP 150°C/W
 - 8-pin plastic DIP 105°C/W
 - 8-pin plastic SO 160°C/W
 - 16-pin plastic DIP 80°C/W
 - 16-pin plastic SO 90°C/W
- Output may be shorted to ground at V_S=±15V, T_A=25°C. Temperature and/or supply voltages must be limited to ensure dissipation rating is not exceeded.

Dual and single low noise op amp

NE5533/5533A/
NE/SA/SE5534/5534A**DC ELECTRICAL CHARACTERISTICS**T_A=25°C, V_S=±15V, unless otherwise specified. 1, 2, 3

SYMBOL	PARAMETER	TEST CONDITIONS	SE5534/5534A			NE5533/5533A NE/SA5534/5534A			UNIT
			Min	Typ	Max	Min	Typ	Max	
V _{OS}	Offset voltage	Over temperature		0.5	2		0.5	4	mV
ΔV _{OS} /ΔT				5	3		5	5	μV/°C
I _{OS}	Offset current	Over temperature		10	200		20	300	nA
ΔI _{OS} /ΔT				200	500		200	400	nA
I _B	Input current	Over temperature		400	800		500	1500	nA
ΔI _B /ΔT				5	1500		5	2000	nA
I _{CC}	Supply current per op amp	Over temperature		4	6.5		4	8	mA
				9			10		mA
V _{CM}	Common mode input range		±12	±13		±12	±13		V
CMRR	Common mode rejection ratio		80	100		70	100		dB
PSRR	Power supply rejection ratio			10	50		10	100	μV/V
A _{VOL}	Large-signal voltage gain	R _L ≥600Ω, V _O =±10V Over temperature	50	100		25	100		V/mV
			25			15			V/mV
V _{OUT}	Output swing	R _L ≥600Ω	±12	±13		±12	±13		V
		Over temperature	±10	±12		±10	±12		V
		R _L ≥600Ω, V _S =±18V	±15	±16		±15	±16		V
		R _L ≥2kΩ	±13	±13.5		±13	±13.5		V
		Over temperature	±12	±12.5		±12	±12.5		V
R _{IN}	Input resistance		50	100		30	100		kΩ
I _{SC}	Output short circuit current			38			38		mA

NOTES:

1. For NE5533/5533A/5534/5534A, T_{MIN} = 0°C, T_{MAX} = 70°C
2. For SE5534/5534A, T_{MIN} = -55°C, T_{MAX} = +125°C
3. For SA5534/5534A, T_{MIN} = -40°C, T_{MAX} = +125°C

Dual and single low noise op amp

NE5533/5533A/
NE/SA/SE5534/5534A**AC ELECTRICAL CHARACTERISTICS** $T_A=25^\circ\text{C}$, $V_S=\pm 15\text{V}$, unless otherwise specified.

SYMBOL	PARAMETER	TEST CONDITIONS	SE5534/5534A			NE5533/5533A NE/SA5534/5534A			UNIT
			Min	Typ	Max	Min	Typ	Max	
R_{OUT}	Output resistance	$A_V=30\text{dB}$ closed-loop $f=10\text{kHz}$, $R_L=600\Omega$, $C_C=22\text{pF}$		0.3			0.3		Ω
	Transient response	Voltage-follower, $V_{IN}=50\text{mV}$ $R_L=600\Omega$, $C_C=22\text{pF}$, $C_L=100\text{pF}$							
t_R	Rise time			20			20		ns
	Overshoot			20			20		%
	Transient response	$V_{IN}=50\text{mV}$, $R_L=600\Omega$ $C_C=47\text{pF}$, $C_L=500\text{pF}$							
t_R	Rise time			50			50		ns
	Overshoot			35			35		%
A_V	Gain	$f=10\text{kHz}$, $C_C=0$ $f=10\text{kHz}$, $C_C=22\text{pF}$		6 2.2			6 2.2		V/mV V/mV
GBW	Gain bandwidth product	$C_C=22\text{pF}$, $C_L=100\text{pF}$		10			10		MHz
SR	Slew rate	$C_C=0$ $C_C=22\text{pF}$		13 6			13 6		V/ μs V/ μs
	Power bandwidth	$V_{OUT}=\pm 10\text{V}$, $C_C=0$ $V_{OUT}=\pm 10\text{V}$, $C_C=22\text{pF}$ $V_{OUT}=\pm 14\text{V}$, $R_L=600\Omega$ $C_C=22\text{pF}$, $V_{CC}=\pm 18\text{V}$		200 95 70			200 95 70		kHz kHz kHz

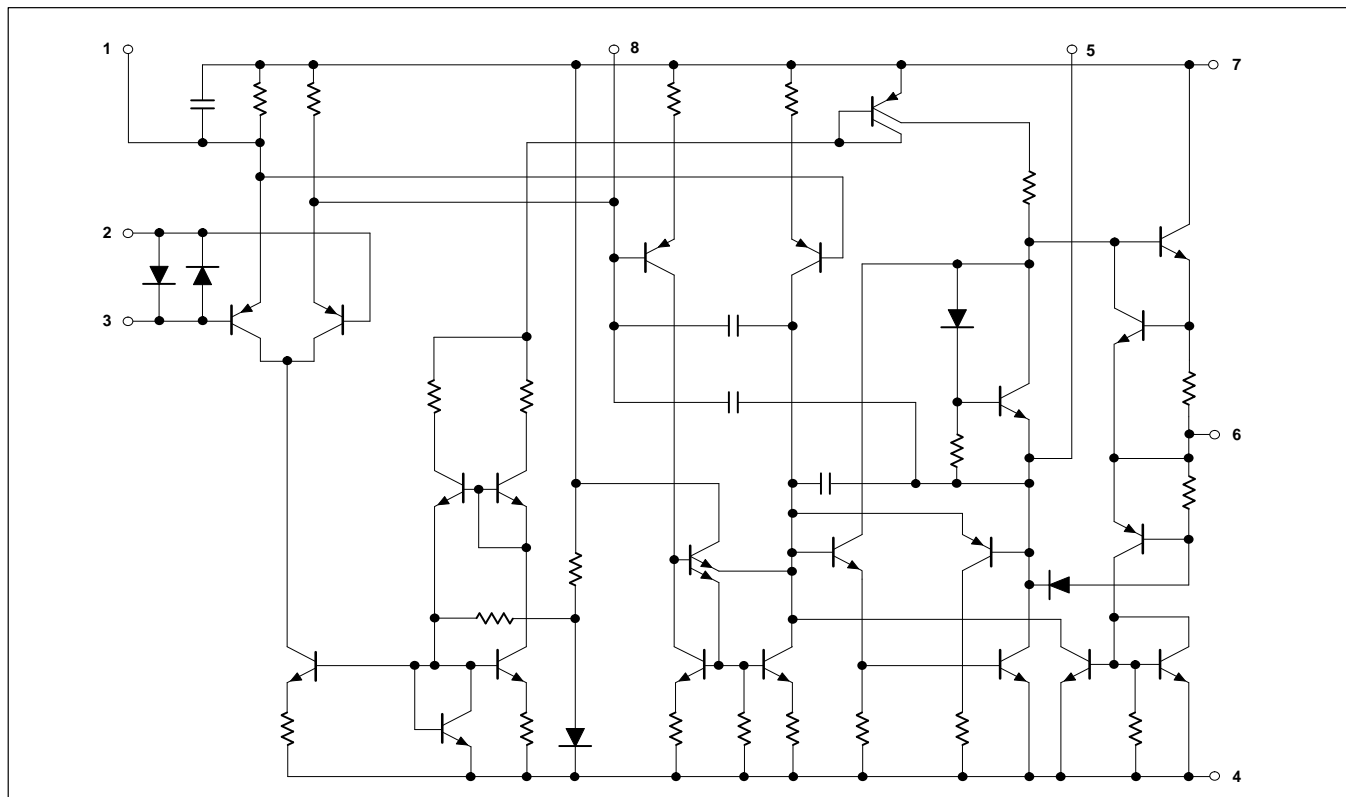
ELECTRICAL CHARACTERISTICS $T_A=25^\circ\text{C}$, $V_S = 15\text{V}$, unless otherwise specified.

SYMBOL	PARAMETER	TEST CONDITIONS	5533/5534			5533A/5534A			UNIT
			Min	Typ	Max	Min	Typ	Max	
V_{NOISE}	Input noise voltage	$f_O=30\text{Hz}$		7			5.5	7	$\text{nV}/\sqrt{\text{Hz}}$
		$f_O=1\text{kHz}$		4			3.5	4.5	$\text{nV}/\sqrt{\text{Hz}}$
I_{NOISE}	Input noise current	$f_O=30\text{Hz}$		2.5			1.5		$\text{pA}/\sqrt{\text{Hz}}$
		$f_O=1\text{kHz}$		0.6			0.4		$\text{pA}/\sqrt{\text{Hz}}$
	Broadband noise figure	$f=10\text{Hz}-20\text{kHz}$, $R_S=5\text{k}\Omega$					0.9		dB
	Channel separation	$f=1\text{kHz}$, $R_S=5\text{k}\Omega$		110			110		dB

Dual and single low noise op amp

NE5533/5533A/ NE/SA/SE5534/5534A

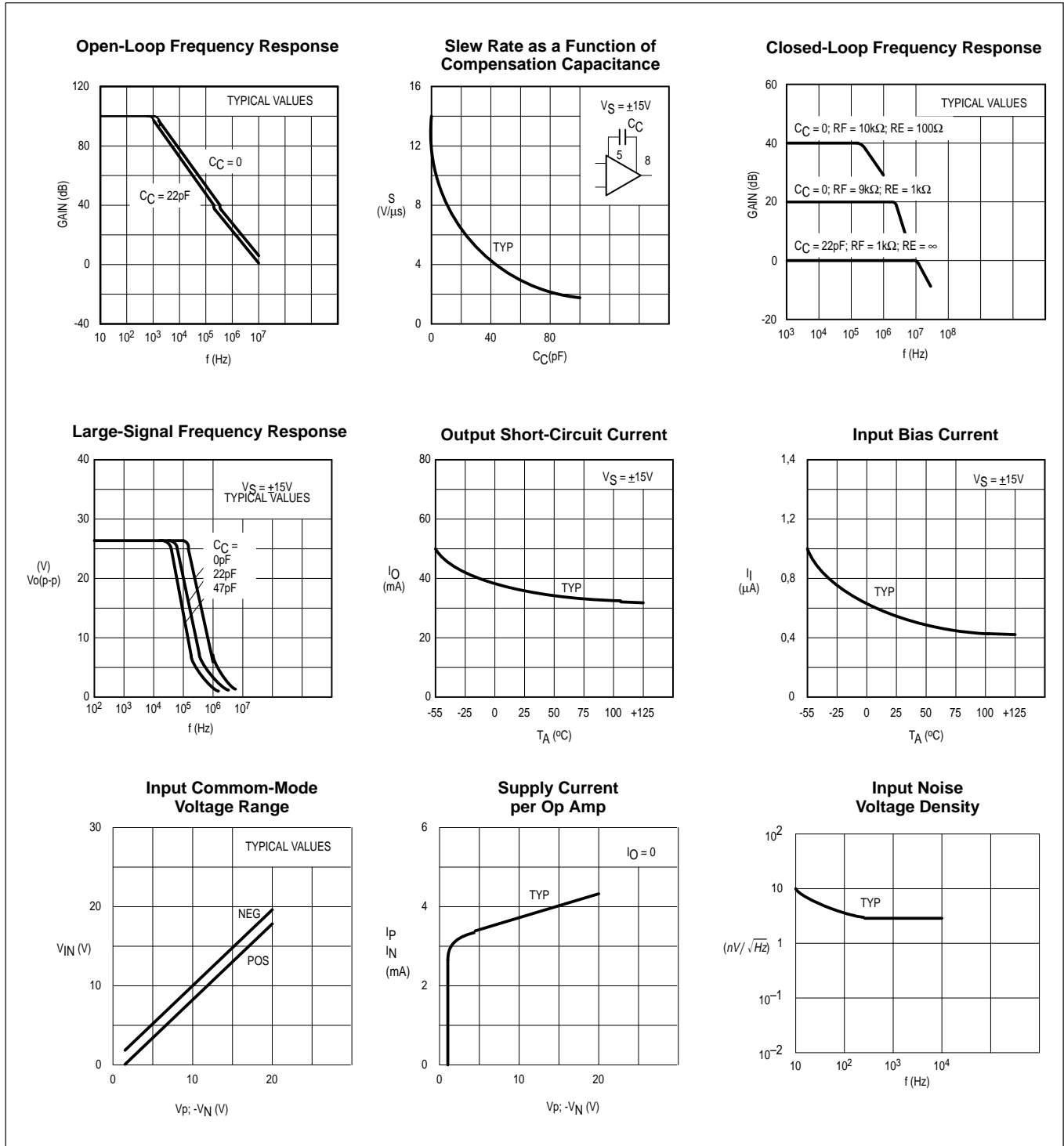
EQUIVALENT SCHEMATIC



Dual and single low noise op amp

NE5533/5533A/ NE/SA/SE5534/5534A

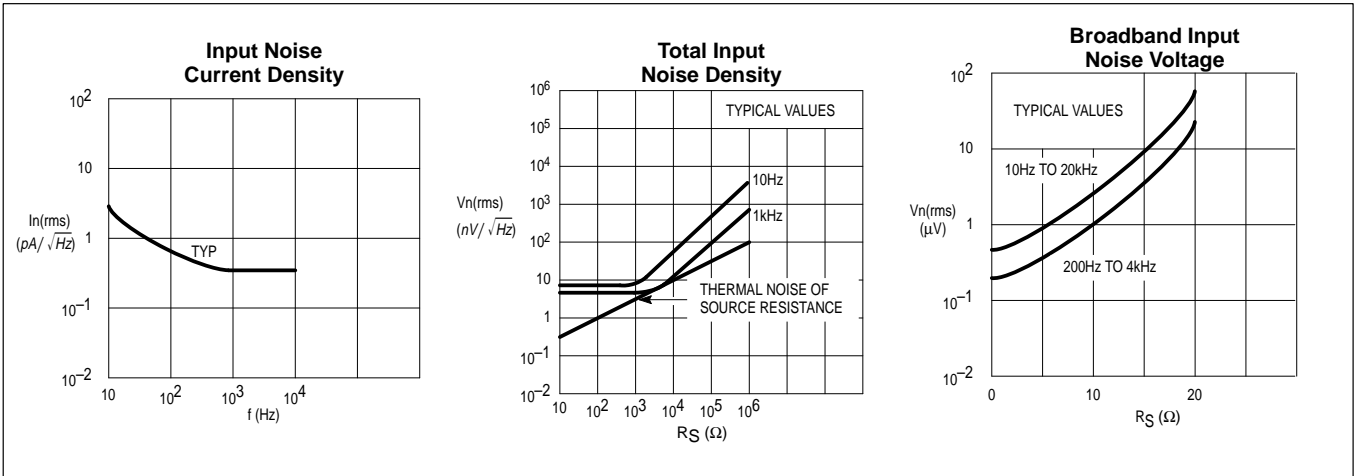
TYPICAL PERFORMANCE CHARACTERISTICS



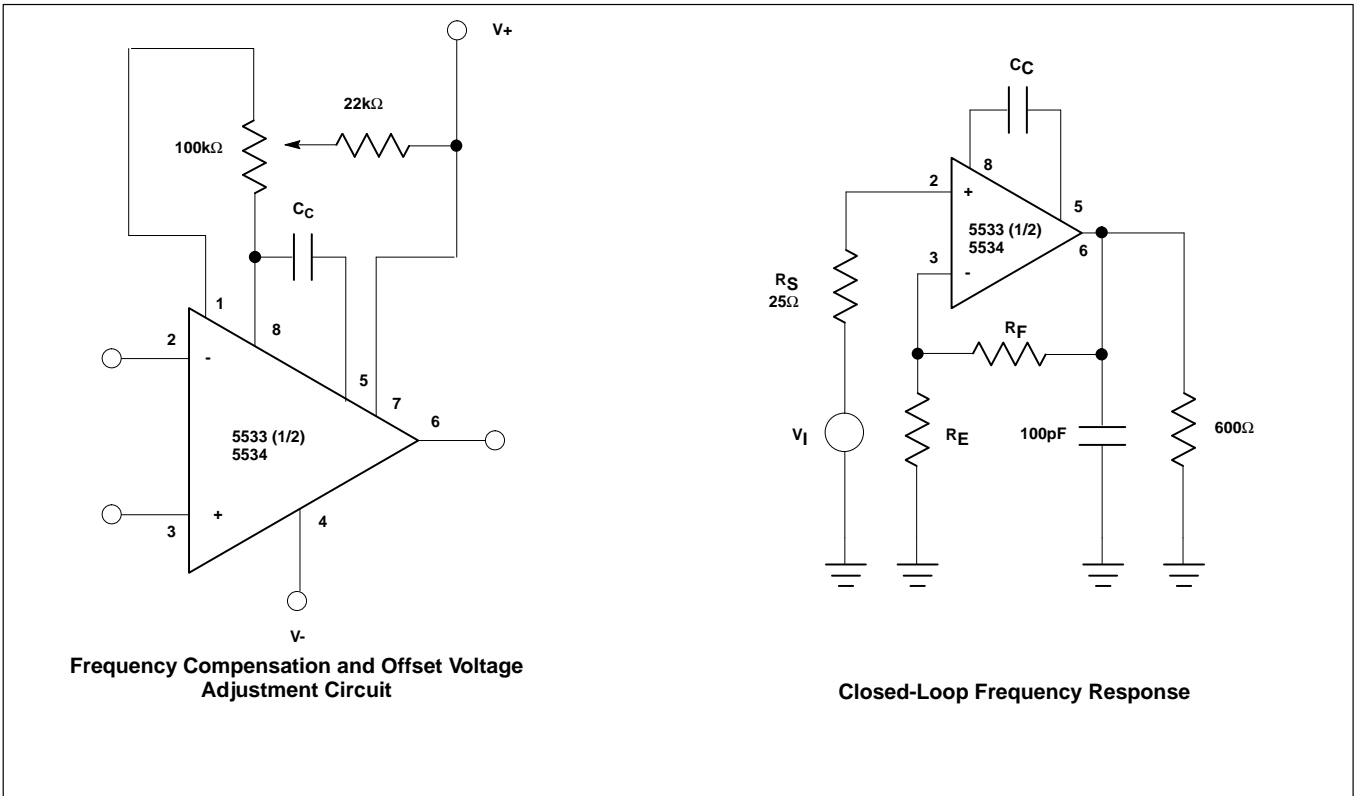
Dual and single low noise op amp

NE5533/5533A/ NE/SA/SE5534/5534A

TYPICAL PERFORMANCE CHARACTERISTICS (Continued)



TEST LOAD CIRCUITS



Dual and single low noise op amp

NE5533/5533A/ NE/SA/SE5534/5534A

NOISE TEST BLOCK DIAGRAM

