

## MM5369 17 Stage Oscillator/Divider

### General Description

The MM5369 is a CMOS integrated circuit with 17 binary divider stages that can be used to generate a precise reference from commonly available high frequency quartz crystals. An internal pulse is generated by mask programming the combinations of stages 1 through 4, 16 and 17 to set or reset the individual stages. The MM5369 is advanced one count on the positive transition of each clock pulse. Two buffered outputs are available: the crystal frequency for tuning purposes and the 17th stage output. The MM5369 is available in an 8-lead dual-in-line epoxy package.

### Features

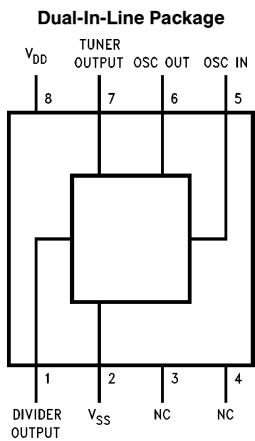
- Crystal oscillator
- Two buffered outputs
  - Output 1 crystal frequency
  - Output 2 full division
- High speed (4 MHz at  $V_{DD} = 10V$ )
- Wide supply range 3V–15V
- Low power
- Fully static operation
- 8-lead dual-in-line package
- Low Current

### Option

- MM5369AA

3.58 MHz to 60 Hz

### Connection and Block Diagrams



Top View

Order Number MM5369AA/N  
See NS Package Number N08E

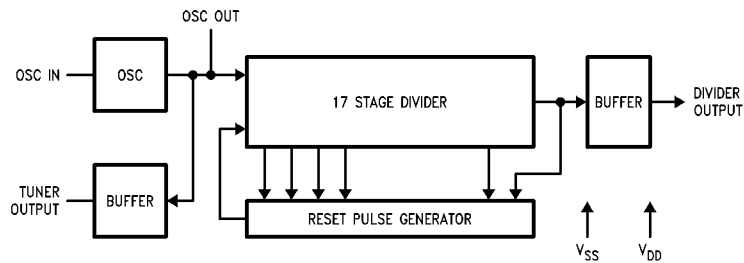
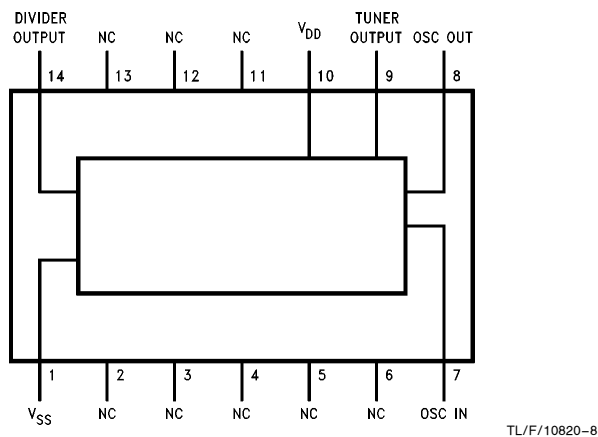


FIGURE 2



Order Number MM5369AA/M  
See NS Package Number M14A

## Absolute Maximum Ratings

If Military/Aerospace specified devices are required, please contact the National Semiconductor Sales Office/Distributors for availability and specifications.

Voltage at Any Pin	-0.3V to $V_{DD} + 0.3V$
Operating Temperature	0°C to +70°C
Storage Temperature	-65°C to +150°C

Package Dissipation	500 mW
Maximum $V_{CC}$ Voltage	16V
Operating $V_{CC}$ Range	3V to 15V
Lead Temperature (Soldering, 10 seconds)	300°C

## Electrical Characteristics

$T_A$  within operating temperature range,  $V_{SS} = GND$ ,  $3V \leq V_{DD} \leq 15V$  unless otherwise specified.

Parameter	Conditions	Min	Typ	Max	Units
Quiescent Current Drain	$V_{DD} = 15V$			10	$\mu A$
Operating Current Drain	$V_{DD} = 10V$ , $f_{IN} = 4.19$ MHz		1.2	2.5	mA
Frequency of Oscillation	$V_{DD} = 10V$ $V_{DD} = 6V$	DC		4.5	MHz
		DC		2	MHz
Output Current Levels	$V_{DD} = 10V$ $V_O = 5V$				
		Logical "1" Source Logical "0" Sink	500 500		
Output Voltage Levels	$V_{DD} = 10V$ $I_O = 10 \mu A$				
		Logical "1" Logical "0"	9.0		1.0

**Note:** For 3.58 MHz operation,  $V_{DD}$  must be  $\geq 10V$ .

## Functional Description

A connection diagram for the MM5369 is shown in *Figure 1* and a block diagram is shown in *Figure 2*.

### TIME BASE

A precision time base is provided by the interconnection of a 3,579,545 Hz quartz crystal and the RC network shown in *Figure 3* together with the CMOS inverter/amplifier provided between the OSC IN and the OSC OUT terminals. Resistor R1 is necessary to bias the inverter for class A amplifier operation. Capacitors C1 and C2 in series provide the parallel load capacitance required for precise tuning of the quartz crystal.

The network shown provides  $> 100$  ppm tuning range when used with standard crystals trimmed for  $C_L = 12$  pF. Tuning to better than  $\pm 2$  ppm is easily obtainable.

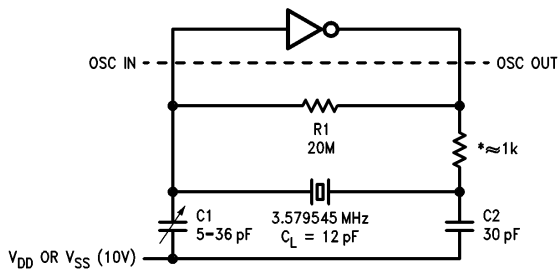
### DIVIDER

A pulse is generated when divider stages 1 through 4, 16 and 17 are in the correct state. By mask options, this pulse is used to set or reset individual stages of the counter. *Figure 4* shows the relationship between the duty cycle and the programmed modulus.

### OUTPUTS

The Tuner Output is a buffered output at the crystal oscillator frequency. This output is provided so that the crystal frequency can be obtained without disturbing the crystal oscillator. The Divide Output is the input frequency divided by the mask programmed number. Both outputs are push-pull outputs.

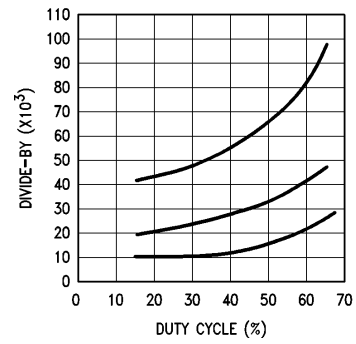
## Functional Description (Continued)



TL/F/10820-3

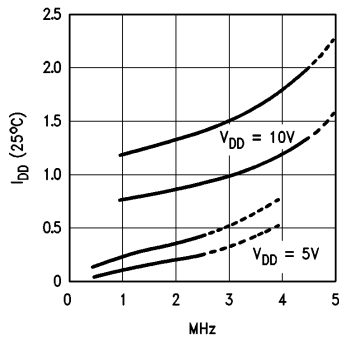
\*To be selected based on xtal used

**FIGURE 3. Crystal Oscillator Network**



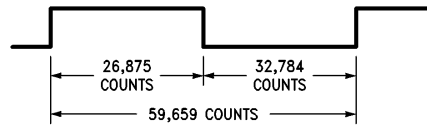
TL/F/10820-4

**FIGURE 4. Plot of Divide-By vs Duty Cycle**



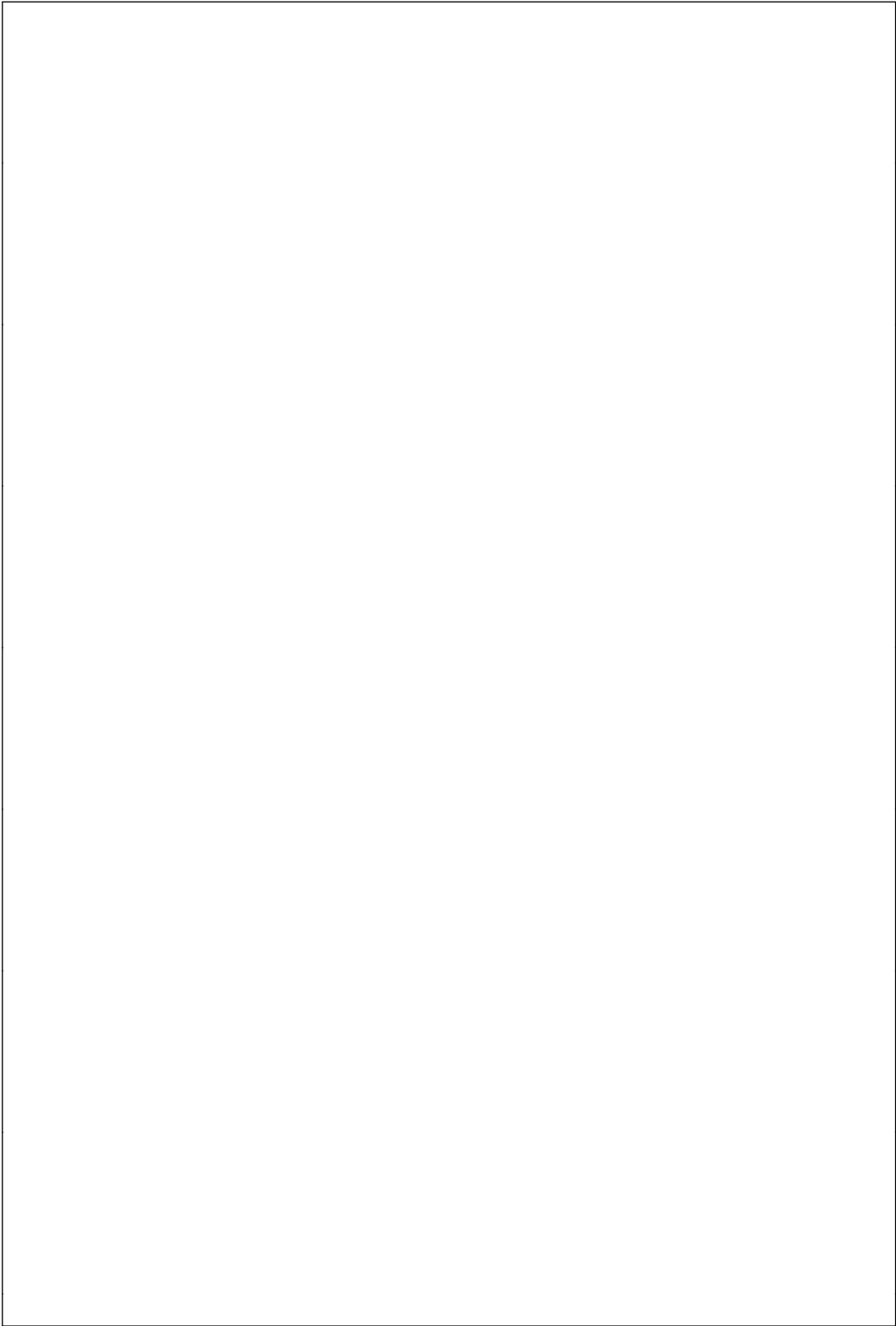
TL/F/10820-5

**FIGURE 5. Typical Current Drain vs Oscillator Frequency**

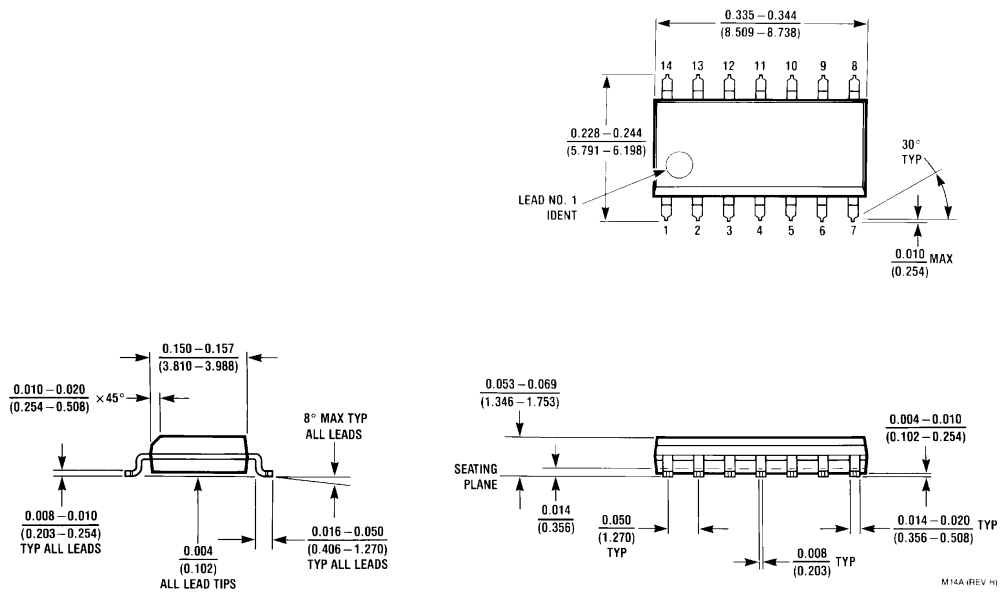


TL/F/10820-6

**FIGURE 6. Output Waveform for the MM5369AA**



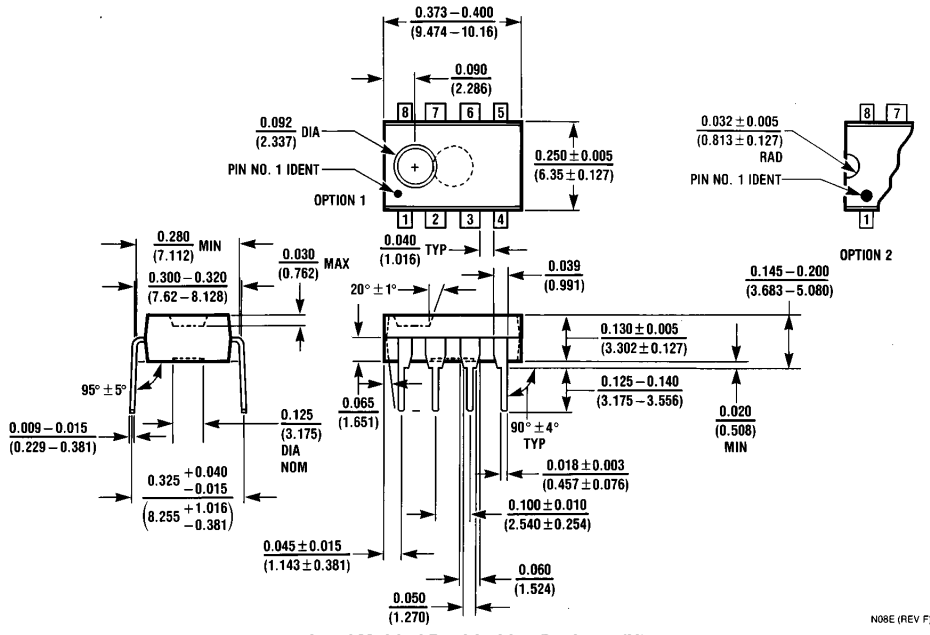
**Physical Dimensions** inches (millimeters) unless otherwise noted



**14-Lead (0.150" Wide) Molded Small Outline Package (M)**  
**Order Number MM5369AA/M**  
**NS Package Number M14A**

M14A (REV HI)

**Physical Dimensions** inches (millimeters) unless otherwise noted (Continued)



**8-Lead Molded Dual-In-Line Package (N)**  
**Order Number MM5369N**  
**NS Package Number N08E**

N08E (REV F)

**LIFE SUPPORT POLICY**

NATIONAL'S PRODUCTS ARE NOT AUTHORIZED FOR USE AS CRITICAL COMPONENTS IN LIFE SUPPORT DEVICES OR SYSTEMS WITHOUT THE EXPRESS WRITTEN APPROVAL OF THE PRESIDENT OF NATIONAL SEMICONDUCTOR CORPORATION. As used herein:

1. Life support devices or systems are devices or systems which, (a) are intended for surgical implant into the body, or (b) support or sustain life, and whose failure to perform, when properly used in accordance with instructions for use provided in the labeling, can be reasonably expected to result in a significant injury to the user.
2. A critical component is any component of a life support device or system whose failure to perform can be reasonably expected to cause the failure of the life support device or system, or to affect its safety or effectiveness.



**National Semiconductor Corporation**  
 1111 West Bardin Road  
 Arlington, TX 76017  
 Tel: 1(800) 272-9959  
 Fax: 1(800) 737-7018

<http://www.national.com>

**National Semiconductor Europe**

Fax: +49 (0) 180-530 85 86  
 Email: [europe.support@nsc.com](mailto:europe.support@nsc.com)  
 Deutsch Tel: +49 (0) 180-530 85 85  
 English Tel: +49 (0) 180-532 78 32  
 Français Tel: +49 (0) 180-532 93 58  
 Italiano Tel: +49 (0) 180-534 16 80

**National Semiconductor Hong Kong Ltd.**

19th Floor, Straight Block,  
 Ocean Centre, 5 Canton Rd.  
 Tsimshatsui, Kowloon  
 Hong Kong  
 Tel: (852) 2737-1600  
 Fax: (852) 2736-9960

**National Semiconductor Japan Ltd.**

Tel: 81-043-299-2308  
 Fax: 81-043-299-2408

National does not assume any responsibility for use of any circuitry described, no circuit patent licenses are implied and National reserves the right at any time without notice to change said circuitry and specifications.