



2.8 GHz Prescaler

The MC12089 is a single modulus divide by 64 and 128 prescaler for low power frequency division of a 2.8 GHz high frequency input signal. The low power (10.2 mA typical at 5.0 V) and high operating frequency features make this prescaler ideal in satellite TV receiver applications.

Divide ratio control input SW selects the required divide ratio of $\div 64$ or $\div 128$.

On-chip output termination provides 2.5 mA of output current to drive a 12 pF (typical) high impedance load. The output voltage swing under typical supply voltage and temperature conditions is 1.2 V. If additional drive is required for the prescaler output, an external resistor can be added in parallel from the OUT pin to Gnd to increase the output power. Care must be taken not to exceed the maximum allowable current through the output.

- 2.8 GHz Toggle Frequency
- Supply Voltage 4.5 to 5.5 V
- Low Power Dissipation 51 mW Typical
- Operating Temperature Range of -40 to 85°C

FUNCTIONAL TABLE

SW	Divide Ratio
H	64
L	128

NOTE: H = V_{CC} ; L = Open.

MAXIMUM RATINGS

Characteristic	Symbol	Range	Unit
Power Supply Voltage, Pin 4	V_{CC}	-0.5 to 7.0	Vdc
Operating Temperature Range	T_A	-40 to 85	$^{\circ}\text{C}$
Storage Temperature Range	T_{stg}	-65 to 150	$^{\circ}\text{C}$
Maximum Output Current, Pin 7	I_O	4.0	mA

NOTE: ESD data available upon request.

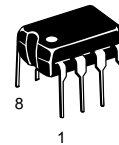
MC12089

MECL PLL COMPONENTS $\div 64/128$ PRESCALER

SEMICONDUCTOR TECHNICAL DATA

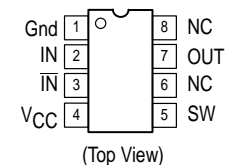


D SUFFIX
PLASTIC PACKAGE
CASE 751
(SO-8)



P SUFFIX
PLASTIC PACKAGE
CASE 626

PIN CONNECTIONS



ORDERING INFORMATION

Device	Operating Temperature Range	Package
MC12089D	$T_A = -40^{\circ}$ to $+85^{\circ}\text{C}$	SO-8
MC12089P		Plastic

MC12089

ELECTRICAL CHARACTERISTICS ($V_{CC} = 4.5$ to 5.5 V; $T_A = -40$ to 85°C , unless otherwise noted.)

Parameter	Symbol	Min	Typ	Max	Unit	
Toggle Frequency (Sine Wave)	ft	0.25	3.4	2.8	GHz	
Supply Current Output (Pin 2)	I_{CC}	–	10.2	14.5	mA	
Input Voltage Sensitivity	V_{in}	250–500 MHz	400	–	1000	mVpp
		500–2800 MHz	100	–	1000	
Divide Ratio Control Input High (SW)	V_{IH}	V_{CC}	V_{CC}	V_{CC}	V	
Divide Ratio Control Input Low (SW)	V_{iL}	Open	Open	Open	–	
Output Voltage Swing (Note 1)	V_{out}	0.8	1.2	–	V_{pp}	

NOTE: 1. Assumes $C_L = 12$ pF

Figure 1. Logic Diagram (MC12089)

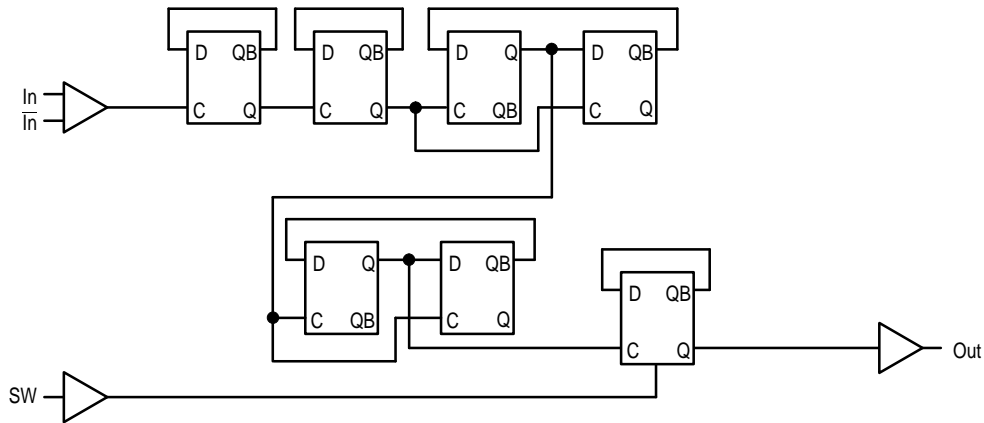
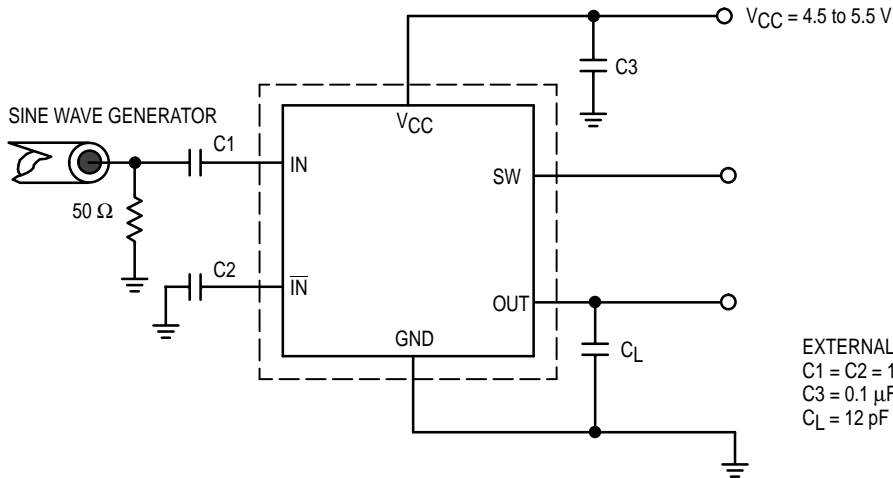


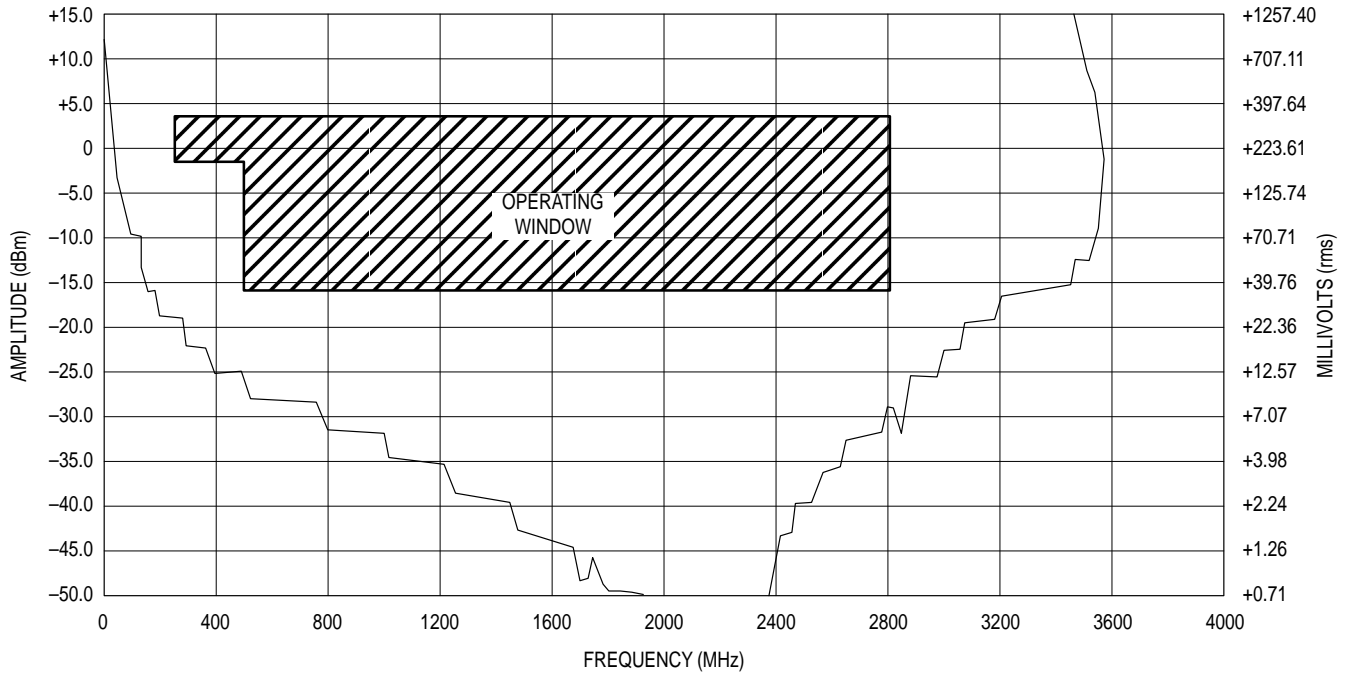
Figure 2. AC Test Circuit



EXTERNAL COMPONENTS
 $C1 = C2 = 1000$ pF
 $C3 = 0.1$ μF
 $C_L = 12$ pF (Including Scope and Jig Capacitance)

MC12089

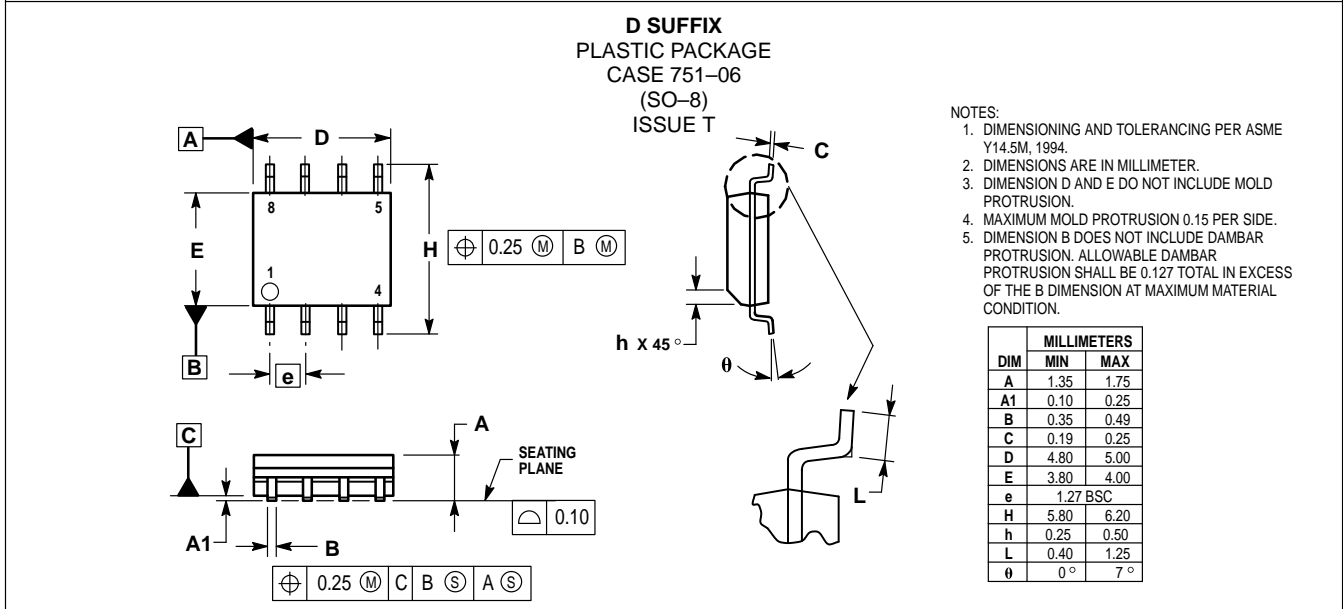
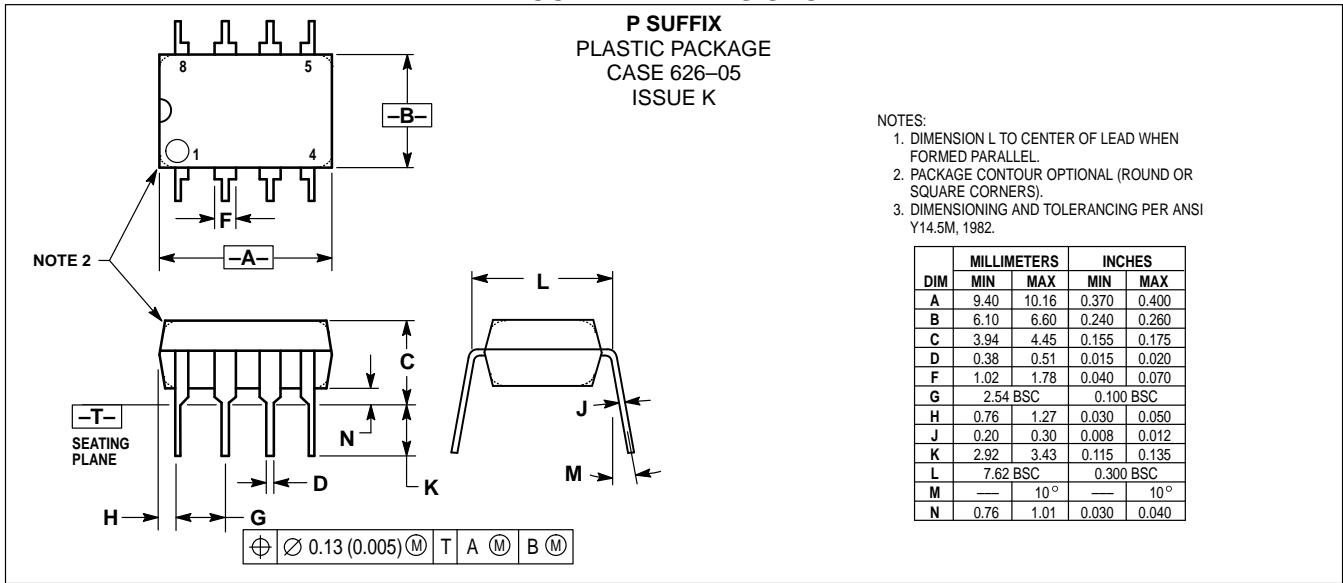
Figure 3. Input Signal Amplitude versus Input Frequency



Divide Ratio = 64; $V_{CC} = 5.0\text{ V}$; $T_A = 25^\circ\text{C}$

MC12089

OUTLINE DIMENSIONS



Motorola reserves the right to make changes without further notice to any products herein. Motorola makes no warranty, representation or guarantee regarding the suitability of its products for any particular purpose, nor does Motorola assume any liability arising out of the application or use of any product or circuit, and specifically disclaims any and all liability, including without limitation consequential or incidental damages. "Typical" parameters which may be provided in Motorola data sheets and/or specifications can and do vary in different applications and actual performance may vary over time. All operating parameters, including "Typicals" must be validated for each customer application by customer's technical experts. Motorola does not convey any license under its patent rights nor the rights of others. Motorola products are not designed, intended, or authorized for use as components in systems intended for surgical implant into the body, or other applications intended to support or sustain life, or for any other application in which the failure of the Motorola product could create a situation where personal injury or death may occur. Should Buyer purchase or use Motorola products for any such unintended or unauthorized application, Buyer shall indemnify and hold Motorola and its officers, employees, subsidiaries, affiliates, and distributors harmless against all claims, costs, damages, and expenses, and reasonable attorney fees arising out of, directly or indirectly, any claim of personal injury or death associated with such unintended or unauthorized use, even if such claim alleges that Motorola was negligent regarding the design or manufacture of the part. Motorola and are registered trademarks of Motorola, Inc. Motorola, Inc. is an Equal Opportunity/Affirmative Action Employer.

Mfax is a trademark of Motorola, Inc.

How to reach us:

USA/EUROPE/Locations Not Listed: Motorola Literature Distribution;
P.O. Box 5405, Denver, Colorado 80217. 1-303-675-2140 or 1-800-441-2447

JAPAN: Nippon Motorola Ltd.: SPD, Strategic Planning Office, 141,
4-32-1 Nishi-Gotanda, Shagawa-ku, Tokyo, Japan. 03-5487-8488

Customer Focus Center: 1-800-521-6274

Mfax™: RMFAX0@email.sps.mot.com - TOUCHTONE 1-602-244-6609
Motorola Fax Back System - US & Canada ONLY 1-800-774-1848
- http://sps.motorola.com/mfax/

ASIA/PACIFIC: Motorola Semiconductors H.K. Ltd.; 8B Tai Ping Industrial Park,
51 Ting Kok Road, Tai Po, N.T., Hong Kong. 852-26629298

HOME PAGE: <http://motorola.com/sps/>

