



1.1 GHz Low Power Dual Modulus Prescaler

The MC12058 is a low power $\div 126/128$, $\div 254/256$ dual modulus prescaler. Motorola's advanced Bipolar MOSAIC™ V technology is utilized to achieve low power dissipation of 3.0 mW at a minimum supply voltage of 2.7 V. The MC12058 can be operated down to a minimum supply voltage of 2.7 V required for battery operated portable systems.

On-chip output termination provides 250 μ A (typical) output current to drive a 8.0 pF (typical) high impedance load. The Divide Ratio Control input, SW, permits selection of divide ratio as desired. A HIGH on SW selects $\div 126/128$; an OPEN on SW selects $\div 254/256$. The Modulus Control input, MC, selects the proper divide number after SW has been biased to select the desired divide ratio.

- 1.1 GHz Toggle Frequency
- Supply Voltage 2.7 to 5.5 V
- Low Power 1.1 mA Typical at $V_{CC} = 3.0$ V
- Operating Temperature Range of -40 to 85°C
- On-Chip Output Termination

MOSAIC V is a trademark of Motorola

FUNCTIONAL TABLE

SW	MC	Divide Ratio
H	H	126
H	L	128
L	H	254
L	L	256

NOTES: 1. SW: H = V_{CC} , L = Open. A logic L can also be applied by grounding this pin, but this is not recommended due to increased power consumption.
2. MC: H = 2.0 V to V_{CC} , L = GND to 0.8 V.

MAXIMUM RATINGS

Characteristic	Symbol	Range	Unit
Power Supply Voltage, Pin 2	V_{CC}	-0.5 to 7.0	Vdc
Operating Temperature Range	T_A	-40 to 85	$^{\circ}\text{C}$
Storage Temperature Range	T_{stg}	-65 to 150	$^{\circ}\text{C}$
Modulus Control Input, Pin 6	MC	-0.5 to V_{CC}	Vdc
Maximum Output Current, Pin 4	I_O	4.0	mA

NOTE: ESD data available upon request.

MC12058

MECL PLL COMPONENTS $\div 126/128$, $\div 254/256$ LOW POWER DUAL MODULUS PRESCALER

SEMICONDUCTOR TECHNICAL DATA

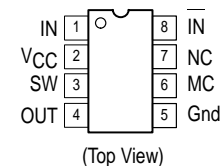


D SUFFIX
PLASTIC PACKAGE
CASE 751
(SO-8)



SD SUFFIX
PLASTIC PACKAGE
CASE 940
(SSOP-8)

PIN CONNECTIONS



ORDERING INFORMATION

Device	Operating Temp Range	Package
MC12058D	$T_A = -40^{\circ}$ to $+85^{\circ}\text{C}$	SO-8
MC12058SD		SSOP-8

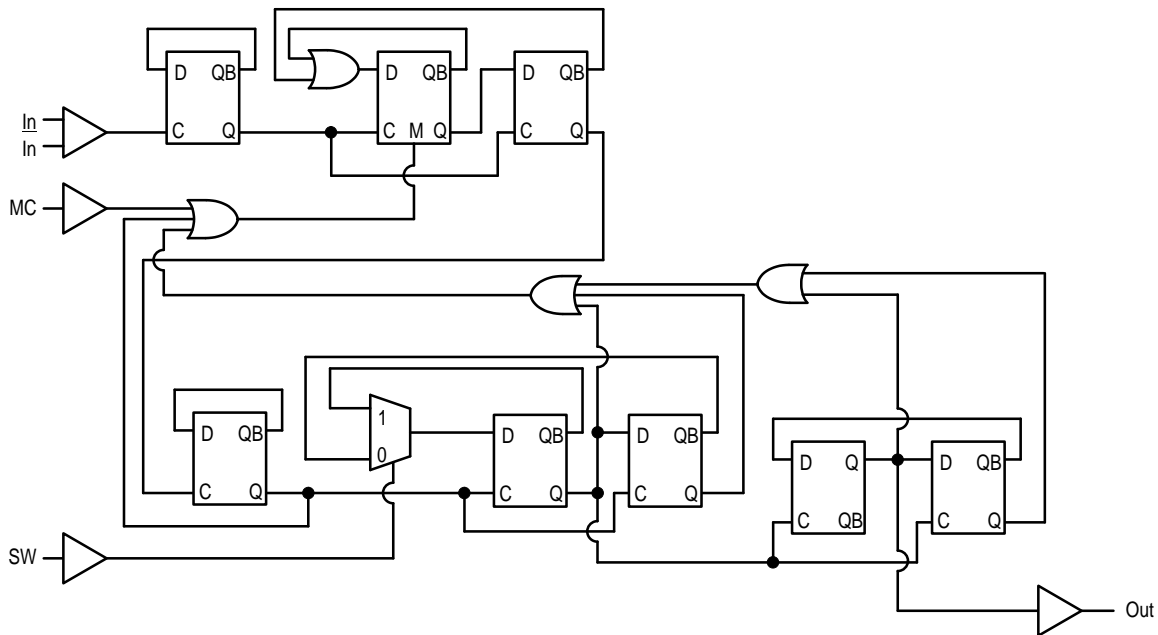
MC12058

ELECTRICAL CHARACTERISTICS ($V_{CC} = 2.7$ to 5.5 V; $T_A = -40$ to 85°C , unless otherwise noted.)

Characteristic	Symbol	Min	Typ	Max	Unit	
Toggle Frequency (Sine Wave Input)	f_t	0.1	1.4	1.1	GHz	
Supply Current Output (Pin 2)	I_{CC}	–	1.1	2.0	mA	
Modulus Control Input HIGH (MC)	V_{IH1}	2.0	–	$V_{CC} + 0.5$	V	
Modulus Control Input LOW (MC)	V_{IL1}	Gnd	–	0.8	V	
Divide Ratio Control Input HIGH (SW)	V_{IH2}	$V_{CC} - 0.5$	V_{CC}	$V_{CC} + 0.5$	V	
Divide Ratio Control Input LOW (SW)	V_{IH2}	Open	Open	Open	–	
Output Voltage Swing (Note 1)	V_{out}	0.8	1.1	–	V_{pp}	
Modulus Setup Time MC to OUT at 1100 MHz	t_{set}	–	11	16	ns	
Input Voltage Sensitivity	V_{in}				mVpp	
		250–1100 MHz	100	–	1000	
		100–250 MHz	400	–	1000	

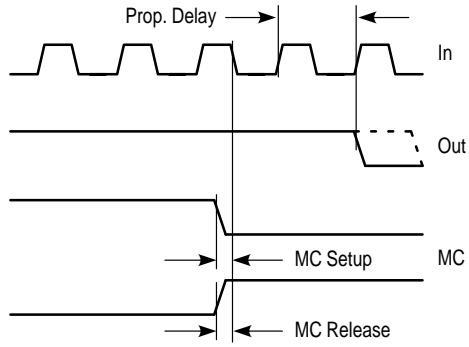
NOTE: Assumes 8.0 pF high impedance load.

Figure 1. Logic Diagram (MC12058)



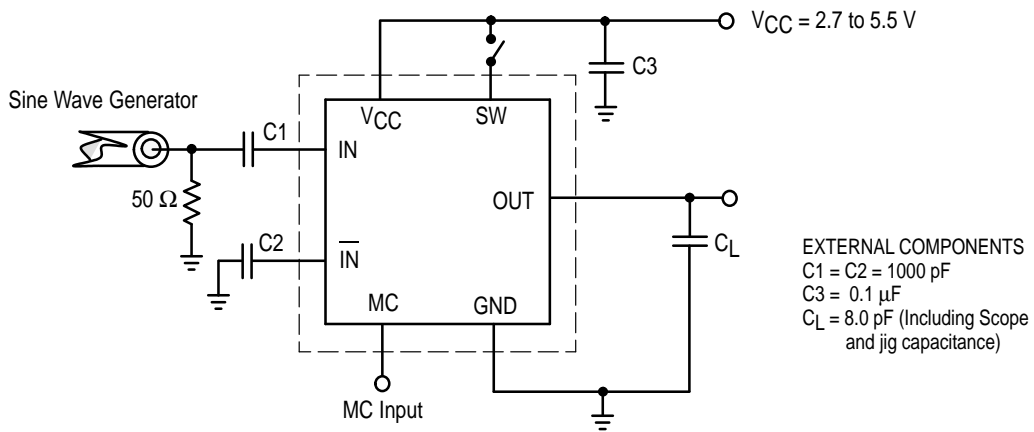
MC12058

Figure 2. Modulus Setup Time



Modulus setup time MC to out is the MC setup or MC release plus the prop delay.

Figure 3. AC Test Circuit



MC12058

Figure 4. Input Signal Amplitude versus Input Frequency

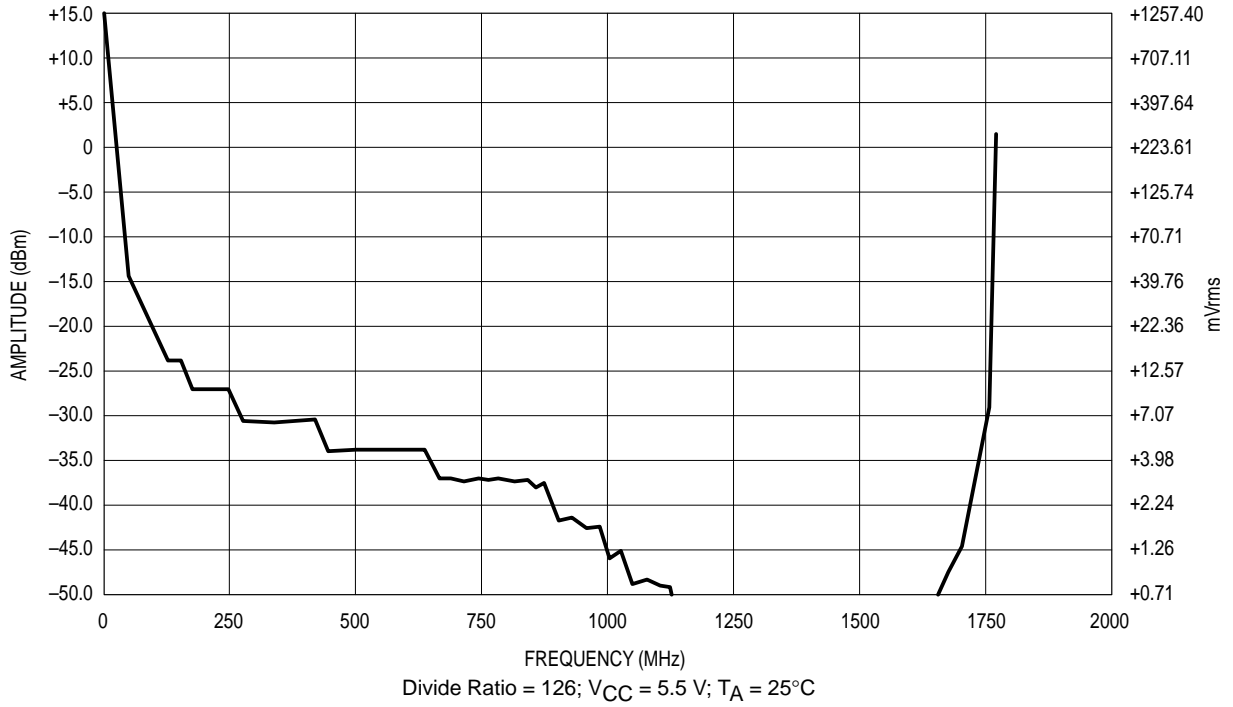
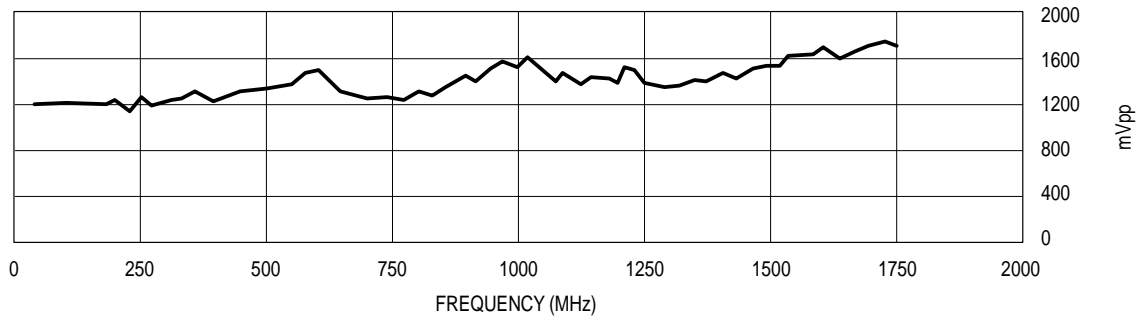
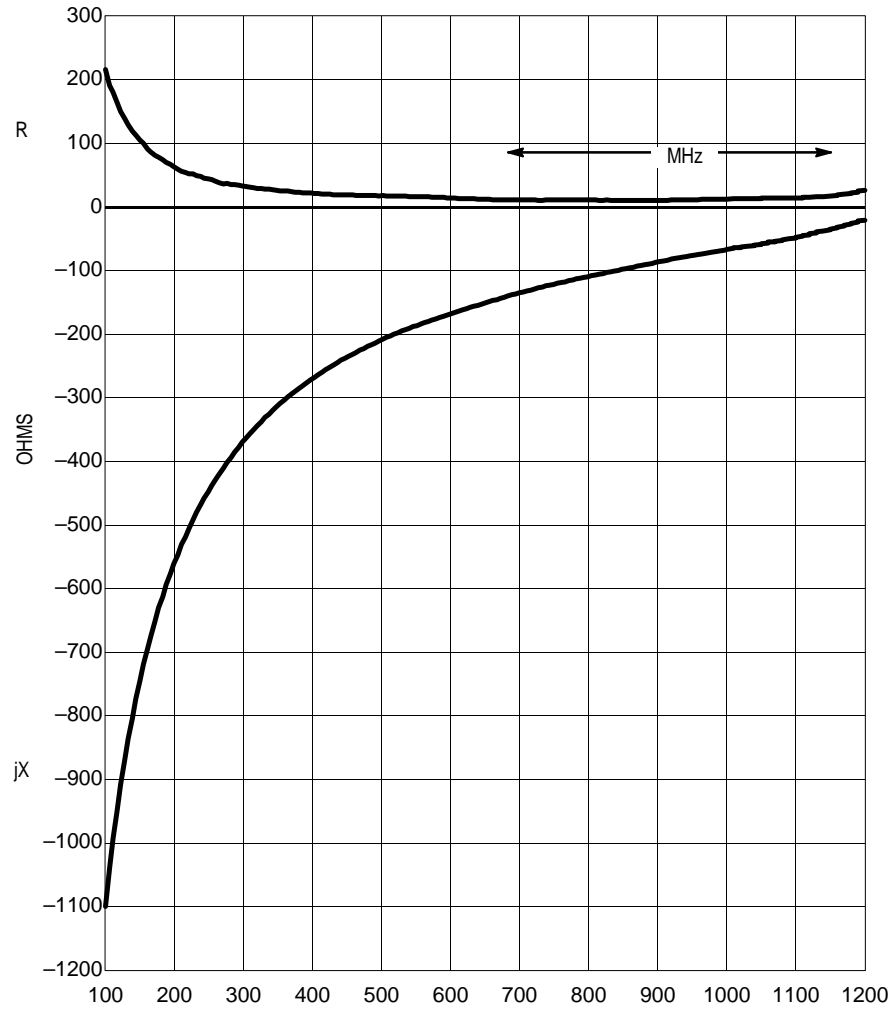


Figure 5. Output Amplitude versus Input Frequency



MC12058

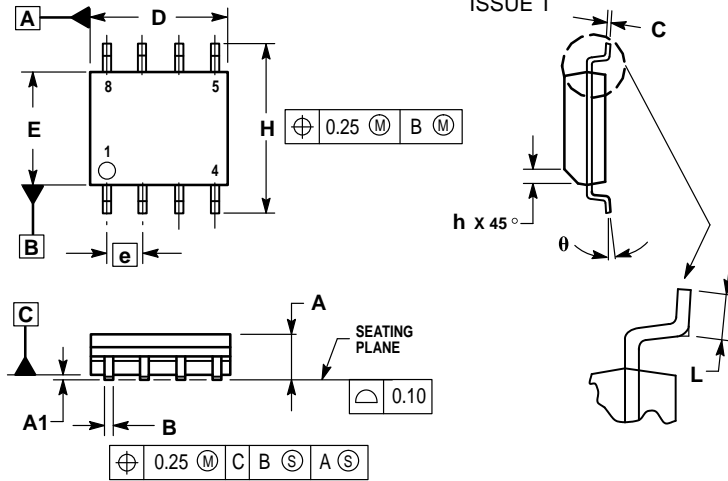
Figure 6. Typical Input Impedance versus Input Frequency



MC12058

OUTLINE DIMENSIONS

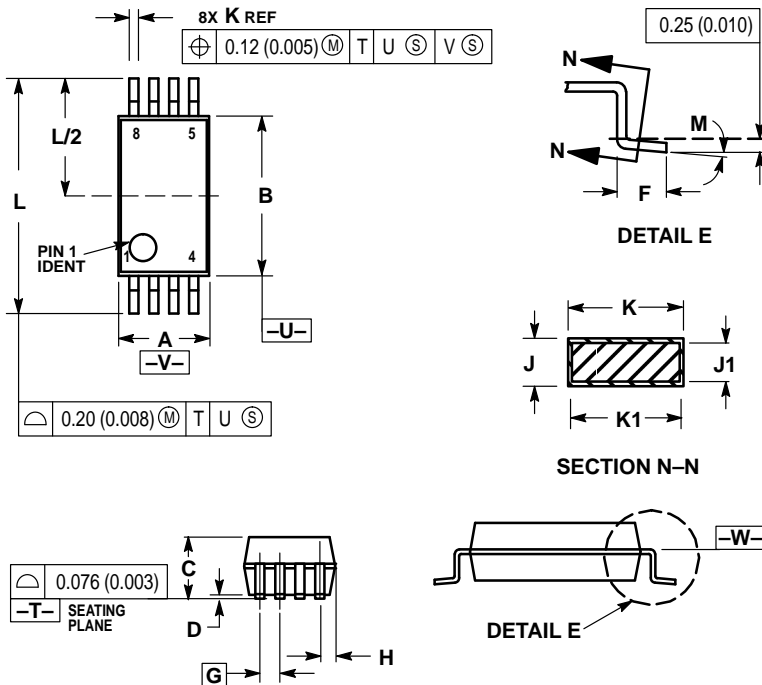
D SUFFIX
PLASTIC PACKAGE
CASE 751-06
(SO-8)
ISSUE T



NOTES:


1. DIMENSIONING AND TOLERANCING PER ASME Y14.5M, 1994.
2. DIMENSIONS ARE IN MILLIMETER.
3. DIMENSION D AND E DO NOT INCLUDE MOLD PROTRUSION.
4. MAXIMUM MOLD PROTRUSION 0.15 PER SIDE.
5. DIMENSION B DOES NOT INCLUDE DAMBAR PROTRUSION. ALLOWABLE DAMBAR PROTRUSION SHALL BE 0.127 TOTAL IN EXCESS OF THE B DIMENSION AT MAXIMUM MATERIAL CONDITION.

SD SUFFIX
PLASTIC PACKAGE
CASE 940-03
(SSOP-8)
ISSUE B



NOTES:

1. DIMENSIONING AND TOLERANCING PER ANSI Y14.5M, 1982.
2. CONTROLLING DIMENSION: MILLIMETER.
3. DIMENSION A DOES NOT INCLUDE MOLD FLASH, PROTRUSIONS OR GATE BURRS. MOLD FLASH OR GATE BURRS SHALL NOT EXCEED 0.15 (0.006) PER SIDE.
4. DIMENSION B DOES NOT INCLUDE INTERLEAD FLASH OR PROTRUSION. INTERLEAD FLASH OR PROTRUSION SHALL NOT EXCEED 0.15 (0.006) PER SIDE.
5. DIMENSION K DOES NOT INCLUDE DAMBAR PROTRUSION/INTRUSION. ALLOWABLE DAMBAR PROTRUSION SHALL BE 0.13 (0.005) TOTAL IN EXCESS OF K DIMENSION AT MAXIMUM MATERIAL CONDITION. DAMBAR INTRUSION SHALL NOT REDUCE DIMENSION K BY MORE THAN 0.07 (0.002) AT LEAST MATERIAL CONDITION.
6. TERMINAL NUMBERS ARE SHOWN FOR REFERENCE ONLY.
7. DIMENSION A AND B ARE TO BE DETERMINED AT DATUM PLANE -W-.

Motorola reserves the right to make changes without further notice to any products herein. Motorola makes no warranty, representation or guarantee regarding the suitability of its products for any particular purpose, nor does Motorola assume any liability arising out of the application or use of any product or circuit, and specifically disclaims any and all liability, including without limitation consequential or incidental damages. "Typical" parameters which may be provided in Motorola data sheets and/or specifications can and do vary in different applications and actual performance may vary over time. All operating parameters, including "Typicals" must be validated for each customer application by customer's technical experts. Motorola does not convey any license under its patent rights nor the rights of others. Motorola products are not designed, intended, or authorized for use as components in systems intended for surgical implant into the body, or other applications intended to support or sustain life, or for any other application in which the failure of the Motorola product could create a situation where personal injury or death may occur. Should Buyer purchase or use Motorola products for any such unintended or unauthorized application, Buyer shall indemnify and hold Motorola and its officers, employees, subsidiaries, affiliates, and distributors harmless against all claims, costs, damages, and expenses, and reasonable attorney fees arising out of, directly or indirectly, any claim of personal injury or death associated with such unintended or unauthorized use, even if such claim alleges that Motorola was negligent regarding the design or manufacture of the part. Motorola and  are registered trademarks of Motorola, Inc. Motorola, Inc. is an Equal Opportunity/Affirmative Action Employer.

Mfax is a trademark of Motorola, Inc.

How to reach us:

USA/EUROPE/Locations Not Listed: Motorola Literature Distribution;
P.O. Box 5405, Denver, Colorado 80217. 1-303-675-2140 or 1-800-441-2447

JAPAN: Nippon Motorola Ltd.: SPD, Strategic Planning Office, 141,
4-32-1 Nishi-Gotanda, Shagawa-ku, Tokyo, Japan. 03-5487-8488

Customer Focus Center: 1-800-521-6274

Mfax™: RMFAX0@email.sps.mot.com – TOUCHTONE 1-602-244-6609
Motorola Fax Back System – US & Canada ONLY 1-800-774-1848
– <http://sps.motorola.com/mfax/>

ASIA/PACIFIC: Motorola Semiconductors H.K. Ltd.; 8B Tai Ping Industrial Park,
51 Ting Kok Road, Tai Po, N.T., Hong Kong. 852-26629298

HOME PAGE: <http://motorola.com/sps/>



MOTOROLA

