



ISO100

# Optically-Coupled Linear ISOLATION AMPLIFIER

## FEATURES

- EASY TO USE, SIMILAR TO AN OP AMP  
 $V_{OUT}/I_{IN} = R_F$ , Current Input  
 $V_{OUT}/V_{IN} = R_F/R_{IN}$ , Voltage Input
- 100% TESTED FOR BREAKDOWN:  
 750V Continuous Isolation Voltage
- ULTRA-LOW LEAKAGE: 0.3µA, max, at 240V/60Hz
- WIDE BANDWIDTH: 60kHz
- 18-PIN DIP PACKAGE

## APPLICATIONS

- INDUSTRIAL PROCESS CONTROL  
 Transducer Sensing  
 (Thermocouples, RTD, Pressure Bridges)  
 4mA to 20mA Loops  
 Motor and SCR Control  
 Ground Loop Elimination
- BIOMEDICAL MEASUREMENTS
- TEST EQUIPMENT
- DATA ACQUISITION

## DESCRIPTION

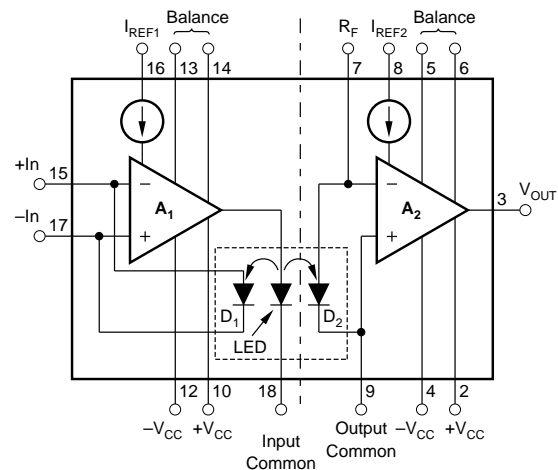
The ISO100 is an optically-coupled isolation amplifier. High accuracy, linearity, and time-temperature stability are achieved by coupling light from an LED back to the input (negative feedback) as well as forward to the output. Optical components are carefully matched and the amplifier is actively laser-trimmed to assure excellent tracking and low offset errors.

The circuit acts as a current-to-voltage converter with a minimum of 750V (2500V test) between input and output terminals. It also effectively breaks the galvanic connection between input and output commons as indicated by the ultra-low 60Hz leakage current of 0.3µA at 250V. Voltage input operation is easily achieved by using one external resistor.

Versatility along with outstanding DC and AC performance provide excellent solutions to a variety of challenging isolation problems. For example, the ISO100 is capable of operating in many modes, including: noninverting (unipolar and bipolar) and inverting (unipolar and bipolar) configurations. Two precision current sources are provided to accomplish bipolar operation. Since these are not required for unipolar operation, they are available for external use

(see Applications section).

Designs using the ISO100 are easily accomplished with relatively few external components. Since  $V_{OUT}$  of the ISO100 is simply  $I_{IN}R_F$ , gains can be changed by altering one resistor value. In addition, the ISO100 has sufficient bandwidth (DC to 60kHz) to amplify most industrial and test equipment signals.



# SPECIFICATIONS

## ELECTRICAL

At  $T_A = +25^\circ\text{C}$  and  $\pm V_{CC} = 15\text{VDC}$ , unless otherwise specified.

PARAMETER	CONDITIONS	ISO100AP			ISO100BP			ISO100CP			UNITS
		MIN	TYP	MAX	MIN	TYP	MAX	MIN	TYP	MAX	
<b>ISOLATION</b>											
Voltage											V
Rated Continuous, AC peak or DC <sup>(1)</sup>		750			*			*			V
Test Breakdown, DC	10s	2500			*			*			V
Rejection <sup>(2)</sup> DC			5			*			*		pA/V
	$R_{IN} = 10\text{k}\Omega$ , Gain = 100		146			*			*		dB
	60Hz, 480V, $R_F = 1\text{M}\Omega$		400			*			*		pA/V
AC	$R_{IN} = 10\text{k}\Omega$ , Gain = 100		108			*			*		dB
Impedance			$10^{12}  2.5$			*			*		$\Omega  \text{pF}$
Leakage Current	240Vrms, 60Hz			0.3			*			*	$\mu\text{A}$ , rms
<b>OFFSET VOLTAGE (RTI)</b>											
Input Stage ( $V_{OSI}$ )											$\mu\text{V}$
Initial Offset				500			300			200	$\mu\text{V}/^\circ\text{C}$
vs Temperature				5			2			2	$\mu\text{V}/^\circ\text{C}$
vs Input Power Supplies				105			*			*	dB
vs Time			1			*			*		$\mu\text{V}/\text{kHr}$
Output Stage ( $V_{OSO}$ )											$\mu\text{V}$
Initial Offset				500			300			200	$\mu\text{V}/^\circ\text{C}$
vs Temperature				5			2			2	$\mu\text{V}/^\circ\text{C}$
vs Output Power Supplies				105			*			*	dB
vs Time			1			*			*		$\mu\text{V}/\text{kHr}$
Common-Mode Rejection Ratio <sup>(2)</sup>	60Hz, $R_F = 1\text{M}\Omega$		3			*			*		nA/V
	$R_{IN} = 10\text{k}\Omega$ , Gain = 100		90			*			*		dB
Common-Mode Range		$\pm 10$			*			*			V
<b>REFERENCE CURRENT SOURCES</b>											
Magnitude											$\mu\text{A}$
Nominal		10.5	12	12.5	*	*	*	*	*	*	$\mu\text{A}$
vs Temperature				300			*			150	ppm/ $^\circ\text{C}$
vs Power Supplies			0.3	3		*	*		*	*	nA/V
Matching											nA
Nominal			50			*			*		ppm/ $^\circ\text{C}$
vs Temperature			150			*			*		ppm/ $^\circ\text{C}$
vs Power Supplies			0.3			*			*		nA/V
Compliance Voltage		-10		+15	*		*	*	*	*	V
Output Resistance			$2 \times 10^9$			*			*		$\Omega$
<b>FREQUENCY RESPONSE</b>											
Small Signal Bandwidth	Gain = 1V/ $\mu\text{A}$		60			*			*		kHz
Full Power Bandwidth	Gain = 1V/ $\mu\text{A}$ , $V_O = \pm 10\text{V}$		5			*			*		kHz
Slew Rate		0.22	0.31		*	*		*	*		V/ $\mu\text{s}$
Settling Time	0.1%		100			*			*		$\mu\text{s}$
<b>TEMPERATURE RANGE</b>											
Specification		-25		+85	*		*	*	*	*	$^\circ\text{C}$
Operating		-40		+100	*		*	*	*	*	$^\circ\text{C}$
Storage		-55		+100	*		*	*	*	*	$^\circ\text{C}$
<b>UNIPOLAR OPERATION</b>											
<b>GENERAL PARAMETERS</b>											
Input Current Range											$\mu\text{A}$
Linear Operation		-20		-0.02	*		*	*	*	*	$\mu\text{A}$
Without Damage		-1		+1	*		*	*	*	*	mA
Input Impedance			0.1			*		*	*	*	$\Omega$
Output Voltage Swing	$R_L = 2\text{k}\Omega$ , $R_F = 1\text{M}\Omega$	-10		0	*		*	*	*	*	V
Output Impedance	DC, Open-Loop		1200			*		*	*	*	$\Omega$
<b>GAIN</b>											
Initial Error (adjustable to zero)	$V_O = R_F (I_{IN})$		2	5		1	2		1	2	% of FS
vs Temperature			0.03	0.07		0.01	0.05		0.005	0.03	%/ $^\circ\text{C}$
vs Time			0.05			*			*		%/kHr
Nonlinearity <sup>(3)</sup>			0.1	0.4		0.03	0.1		0.02	0.07	%
<b>CURRENT NOISE</b>											
0.01Hz to 10Hz	$I_{IN} = 0.2\mu\text{A}$		20			*			*		pAp-p
10Hz			1			*			*		$\text{pA}/\sqrt{\text{Hz}}$
100Hz			0.7			*			*		$\text{pA}/\sqrt{\text{Hz}}$
1kHz			0.65			*			*		$\text{pA}/\sqrt{\text{Hz}}$

# SPECIFICATIONS (CONT)

## ELECTRICAL

At  $T_A = +25^\circ\text{C}$  and  $\pm V_{CC} = 15\text{VDC}$ , unless otherwise specified.

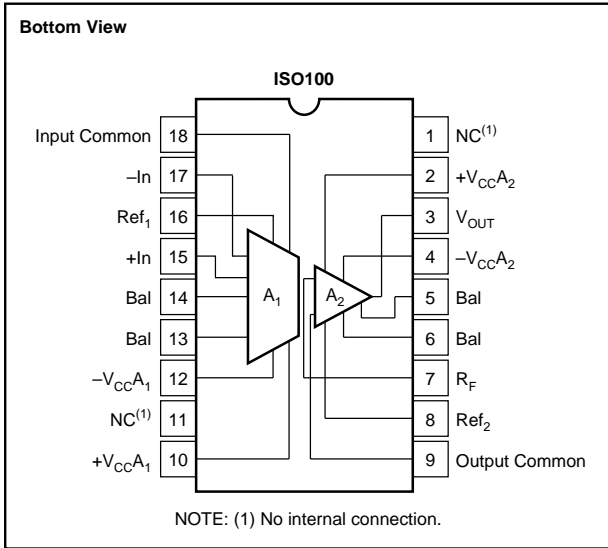
PARAMETER	CONDITIONS	ISO100AP			ISO100BP			ISO100CP			UNITS
		MIN	TYP	MAX	MIN	TYP	MAX	MIN	TYP	MAX	
<b>INPUT OFFSET CURRENT (<math>I_{OS}</math>)</b> Initial Offset vs Temperature vs Power Supplies vs Time			1 0.05 0.1 100	10		*	*		*	*	nA nA/ $^\circ\text{C}$ nA/V pA/kHr
<b>POWER SUPPLIES</b> Input Stage Voltage (rated performance) Voltage (derated performance) Supply Current Output Stage Voltage (rated performance) Voltage (derated performance) Supply Current Short Circuit Current Limit	$I_{IN} = -0.02\mu\text{A}$ $I_{IN} = -20\mu\text{A}$       $V_O = 0$	$\pm 7$       $\pm 7$	$\pm 15$  $\pm 1.1$ $+8, -1.1$  $\pm 15$  $\pm 1.1$	$\pm 18$  $\pm 2$ $+13, -2$  $\pm 18$  $\pm 2$ $\pm 40$	*	*	*	*	*	*	V V mA mA V V mA mA
<b>BIPOLAR OPERATION</b>											
<b>GENERAL PARAMETERS</b> Input Current Range Linear Operation Without Damage Input Impedance Output Voltage Swing Output Impedance	$R_L = 2\text{k}\Omega$ , $R_F = 1\text{M}\Omega$	-10 -1	0.1	+10 +1	*	*	*	*	*	*	$\mu\text{A}$ mA $\Omega$ V $\Omega$
<b>GAIN</b> Initial Error (Adjustable To Zero) vs Temperature vs Time Nonlinearity <sup>(3)</sup>	$V_O = R_F (I_{IN})$		2 0.03 0.05 0.1	5 0.07 0.4		1 0.01 *	2 0.05 0.1		1 0.005 *	2 0.03 0.07	% of FS %/ $^\circ\text{C}$ %/kHr %
<b>CURRENT NOISE</b> 0.01Hz to 10Hz 10Hz 100Hz 1kHz	$I_{IN} = 0.2\mu\text{A}$		1.5 17 7 6			*	*		*	*	nA, p-p pA/ $\sqrt{\text{Hz}}$ pA/ $\sqrt{\text{Hz}}$ pA/ $\sqrt{\text{Hz}}$
<b>INPUT OFFSET CURRENT (<math>I_{OS}</math>, bipolar<sup>(4)</sup>)</b> Initial Offset vs Temperature vs Power Supplies vs Time			40 250	200 3 0.7		20 *	70 2 *		10 *	35 1 *	nA nA/ $^\circ\text{C}$ nA/V pA/kHr
<b>POWER SUPPLIES</b> Input Stage Voltage (rated performance) Voltage (derated performance) Supply Current Output Stage Voltage (rated performance) Voltage (derated performance) Supply Current Short Circuit Current Limit	$I_{IN} = +10\mu\text{A}$ $I_{IN} = -10\mu\text{A}$       $V_O = 0$	$\pm 7$       $\pm 7$	$\pm 15$  $+2, -1.1$ $+8, -1.1$  $\pm 15$  $\pm 1.1$	$\pm 18$  $+3, -2$ $+13, -2$  $\pm 18$  $\pm 2$ $\pm 40$	*	*	*	*	*	*	V V mA mA V V mA mA

\* Same as ISO100AP.

NOTES: (1) See Typical Performance Curves for temperature effects. (2) See Theory of Operation section for definitions. For dB see Ex. 2, CM and HV errors. (3) Nonlinearity is the peak deviation from a "best fit" straight line expressed as a percent of full scale output. (4) Bipolar offset current includes effects of reference current mismatch and unipolar offset current.

The information provided herein is believed to be reliable; however, BURR-BROWN assumes no responsibility for inaccuracies or omissions. BURR-BROWN assumes no responsibility for the use of this information, and all use of such information shall be entirely at the user's own risk. Prices and specifications are subject to change without notice. No patent rights or licenses to any of the circuits described herein are implied or granted to any third party. BURR-BROWN does not authorize or warrant any BURR-BROWN product for use in life support devices and/or systems.

## PIN CONFIGURATION



## ABSOLUTE MAXIMUM RATINGS

Supply Voltages .....	±18V
Isolation Voltage, AC pk or DC .....	750V
Input Current .....	±1mA
Storage Temperature Range .....	-55°C to +100°C
Lead Temperature (soldering, 10s) .....	+300°C
Output Short-circuit Duration .....	Continuous to ground

## PACKAGE INFORMATION<sup>(1)</sup>

MODEL	PACKAGE	PACKAGE DRAWING NUMBER
ISO100AP	18-Pin Bottom-Braze DIP	220
ISO100BP	18-Pin Bottom-Braze DIP	220
ISO100CP	18-Pin Bottom-Braze DIP	220

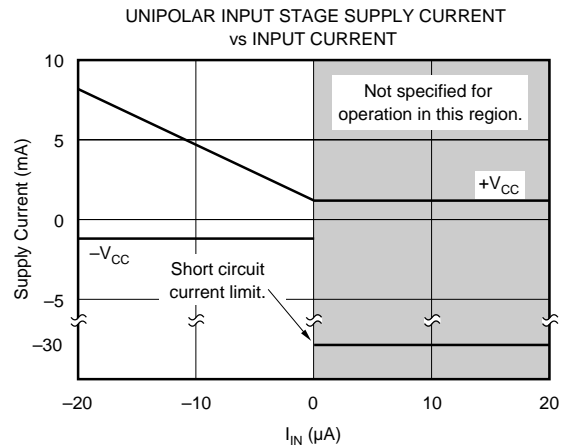
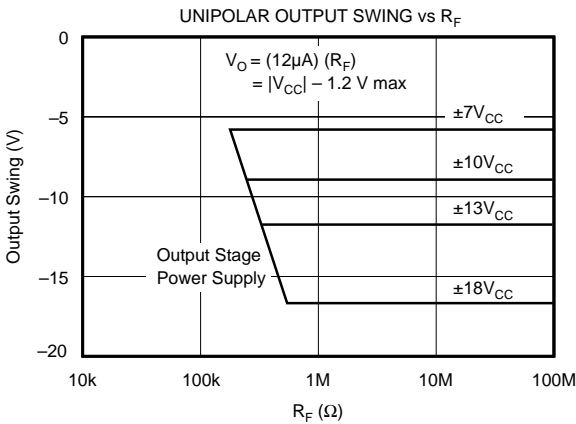
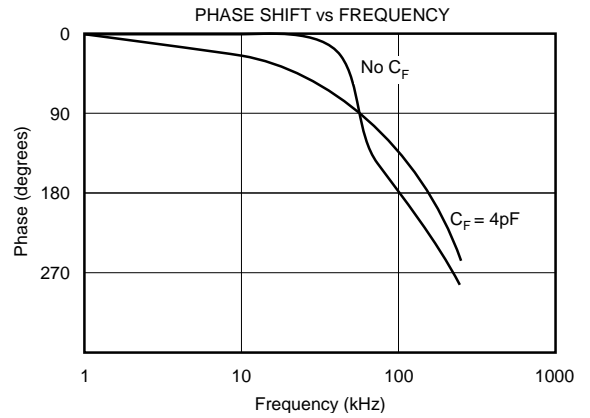
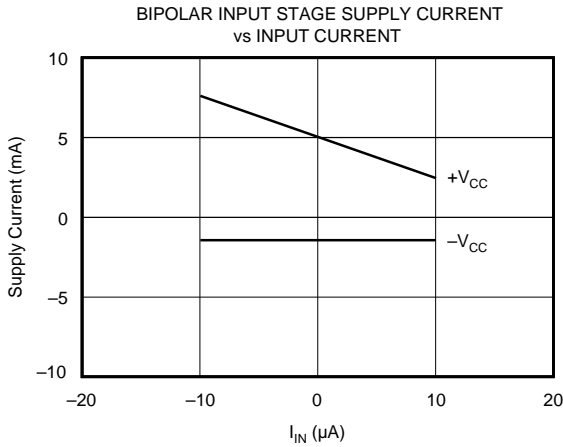
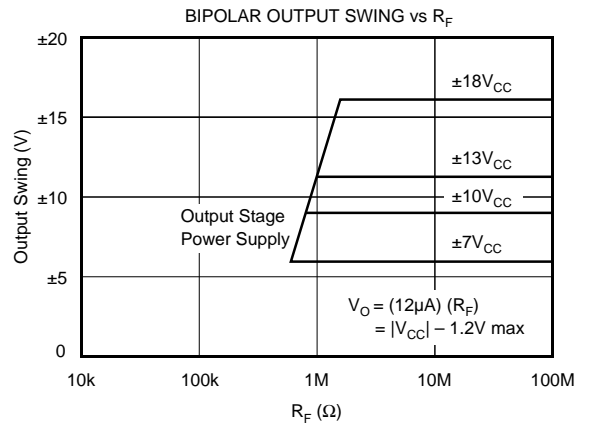
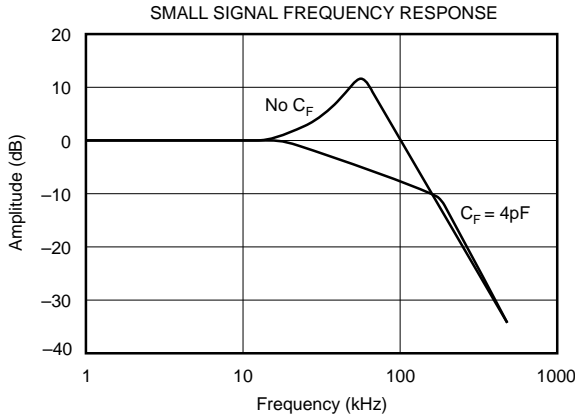
NOTE: (1) For detailed drawing and dimension table, please see end of data sheet, or Appendix D of Burr-Brown IC Data Book.

## ORDERING INFORMATION

MODEL	PACKAGE	TEMPERATURE RANGE
ISO100AP	18-Pin Bottom-Braze DIP	-25°C to +85°C
ISO100BP	18-Pin Bottom-Braze DIP	-25°C to +85°C
ISO100CP	18-Pin Bottom-Braze DIP	-25°C to +85°C

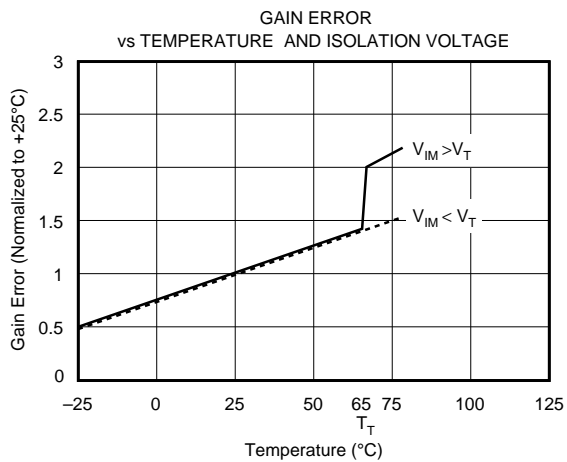
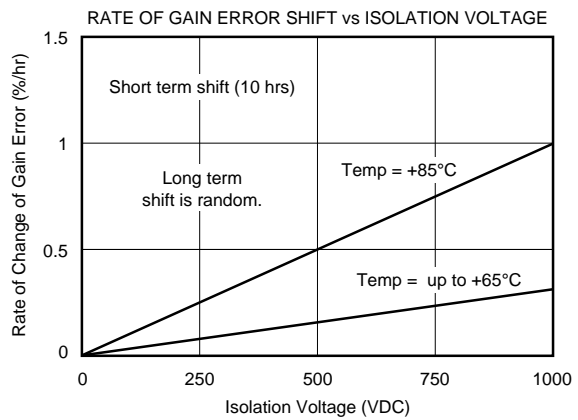
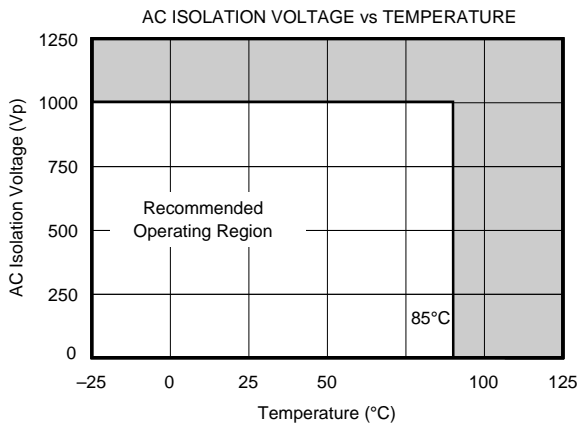
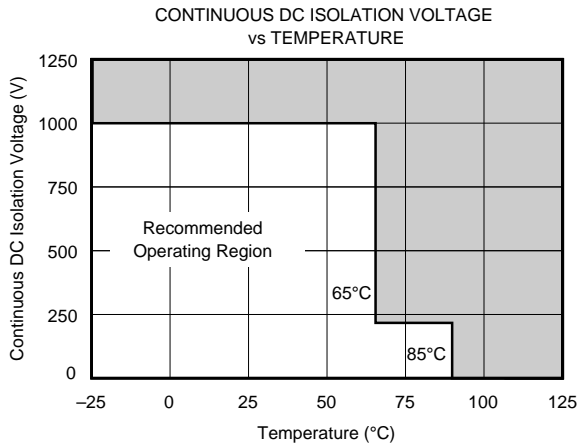
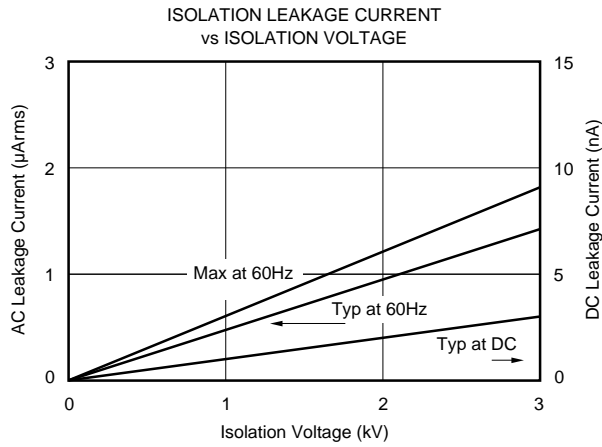
# TYPICAL PERFORMANCE CURVES

$T_A = +25^\circ\text{C}$ ,  $\pm V_{CC} = 15\text{VDC}$ , unless otherwise specified.



# TYPICAL PERFORMANCE CURVES (CONT)

$T_A = +25^\circ\text{C}$ ,  $\pm V_{CC} = 15\text{VDC}$ , unless otherwise specified.



NOTES:  $V_T$  and  $T_T$  approximate the threshold for the indicated gain shift. This is caused by the properties of the optical cavity.  
 $T_T \approx +65^\circ\text{C}$ ,  $V_T \approx 200\text{VDC}$ . Shift does not occur for AC voltages.

$V_{IM}$  = Isolation-Mode Voltage  
 $V_T$  = Threshold Voltage  
 $T_T$  = Threshold Temperature

# THEORY OF OPERATION

The ISO100 is fundamentally a unity gain current amplifier intended to transfer small signals between electrical circuits separated by high voltages or different references. In most applications, an output voltage is obtained by passing the output current through the feedback resistor ( $R_F$ ).

The ISO100 uses a single light emitting diode (LED) and a pair of photodiode detectors coupled together to isolate the output signal from the input.

Figure 1 shows a simplified diagram of the amplifier.  $I_{REF1}$  and  $I_{REF2}$  are required only for bipolar operation to generate a midscale reference. The LED and photodiodes ( $D_1$  and  $D_2$ ) are arranged such that the same amount of light falls on each photodiode. Thus, the currents generated by the diodes match very closely. As a result, the transfer function depends upon optical match rather than absolute performance. Laser-trimming of the components improves matching and enhances accuracy, while negative feedback improves linearity. Negative feedback around  $A_1$  occurs through the optical path formed by the LED and  $D_1$ . The signal is transferred across the isolation barrier by the matched light path to  $D_2$ .

The overall isolation amplifier is noninverting (a positive going input produces a positive going output).

# INSTALLATION AND OPERATING INSTRUCTIONS

## UNIPOLAR OPERATION

In Figure 1, assume a current,  $I_{IN}$ , flows out of the ISO100 ( $I_{IN}$  must be negative in unipolar operation). This causes the voltage at pin 15 to decrease. Because the amplifier is inverting, the output of  $A_1$  increases, driving current through

the LED. As the LED light output increases,  $D_1$  responds by generating an increasing current. The current increases until the sum of the currents in and out of the input node (-Input to  $A_1$ ) is zero. At that point, the negative feedback through  $D_1$  has stabilized the loop, and the current  $I_{D1}$  equals the input current plus the bias current. As a result, no bias current flows in the source. Since  $D_1$  and  $D_2$  are matched ( $I_{D1} = I_{D2}$ ),  $I_{IN}$  is replicated at the output via  $D_2$ . Thus,  $A_1$  functions as a unity-gain current amplifier, and  $A_2$  is a current-to-voltage converter, as described below.

Current produced by  $D_2$  must either flow into  $A_2$  or  $R_F$ . Since  $A_2$  is designed for low bias current ( $\approx 10nA$ ), almost all of the current flows through  $R_F$  to the output. The output voltage then becomes:

$$V_O = (I_{D2})R_F = (I_{D1} \pm I_{OS})R_F \approx -(-I_{IN})R_F = I_{IN}R_F \quad (1)$$

where,  $I_{OS}$  is the difference between  $A_1$  and  $A_2$  bias currents. For input voltage operation  $I_{IN}$  can be replaced by a voltage source ( $V_{IN}$ ) and series resistor ( $R_{IN}$ ), since the summing node of the op amp is essentially at ground. Thus,  $I_{IN} = V_{IN}/R_{IN}$ .

Unipolar operation does have some constraints, however. In this mode the input current must be negative so as to produce a positive output voltage from  $A_1$  to turn the LED on. A current more negative than 20nA is necessary to keep the LED turned on and the loop stabilized. When this condition is not met, the output may be indeterminant. Many sensors generate unidirectional signals, e.g., photoconductive and photodiode devices, as well as some applications of thermocouples. However, other applications do require bipolar operation of the ISO100.

## BIPOLAR OPERATION

To activate the bipolar mode, reference currents as shown in Figure 1 are attached to the input nodes of the op amps. The input stage stabilizes just as it did in unipolar operation.

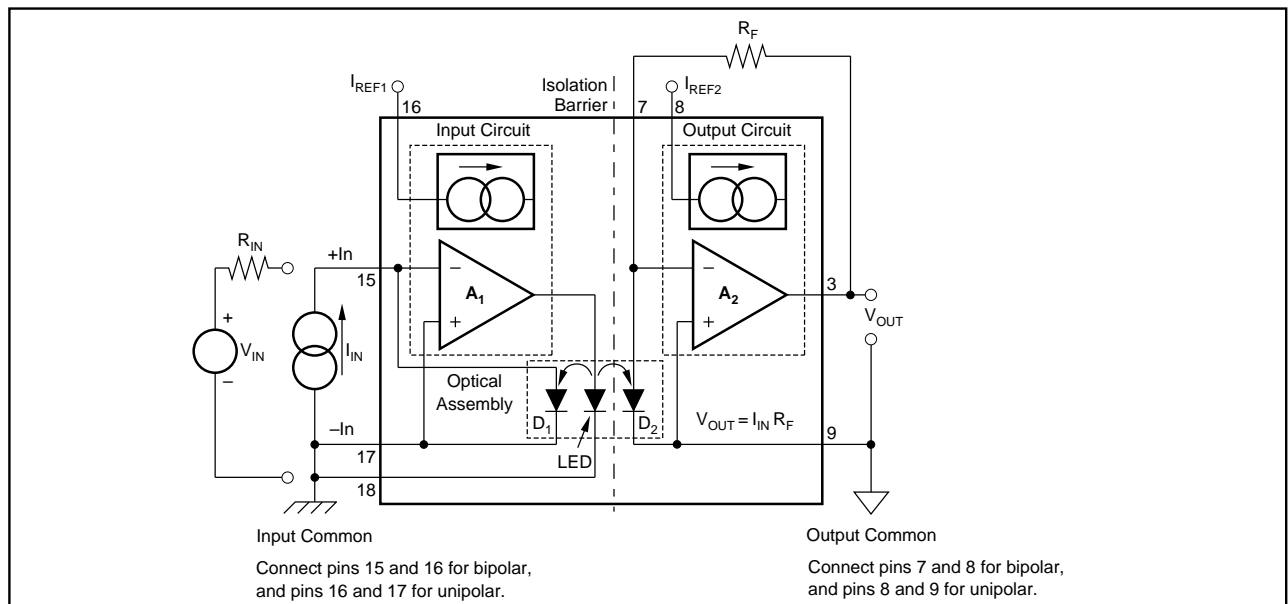


FIGURE 1. Simplified Block Diagram of the ISO100.

Assuming  $I_{IN} = 0$ , the photodiode has to supply all the  $I_{REF1}$  current. Again, due to symmetry,  $I_{D1} = I_{D2}$ . Since the two references are matched, the current generated by  $D_2$  will equal  $I_{REF2}$ . This results in no current flow in  $R_F$ , and the output voltage will be zero. When  $I_{IN}$  either adds or subtracts current from the input node, the current  $D_1$  will adjust to satisfy  $I_{D1} = I_{IN} + I_{REF1}$ . Because  $I_{REF1}$  equals  $I_{REF2}$  and  $I_{D1}$  equals  $I_{D2}$ , a current equal to  $I_{IN}$  will flow in  $R_F$ . The output voltage is then  $V_O = I_{IN}R_F$ . The range of allowable  $I_{IN}$  is limited. Positive  $I_{IN}$  can be as large as  $I_{REF1}$  ( $10.5\mu\text{A}$ , min). At this point,  $D_1$  supplies no current and the loop opens. Negative  $I_{IN}$  can be as large as that generated by  $D_1$  with maximum LED output (recommended  $10\mu\text{A}$ , max).

## DC ERRORS

Errors in the ISO100 take the form of offset currents and voltages plus their drifts with temperature. These are shown in Figure 2.

$A_1$  and  $A_2$ —assumed to be ideal amplifiers.

$V_{OSO}$  and  $V_{OSI}$ —the input offset voltages of the output and input stage, respectively.  $V_{OSO}$  appears directly at the output, but,  $V_{OSI}$  appears at the output as

$$V_{OSI} \frac{R_F}{R_{IN}}, \quad (1)$$

see equation (2).

$I_{OS}$ —the offset current. This is the current at the input necessary to make the output zero. It is equal to the combined effect of the difference between the bias currents of  $A_1$  and  $A_2$  and the matching errors in the optical components in the unipolar mode.

$I_{REF1}$  and  $I_{REF2}$ —reference currents that, when connected to the inputs, enable bipolar operation. The two currents are trimmed, in the bipolar mode, to minimize the  $I_{OS \text{ BIPOLAR}}$  error.

$I_{D1}$  and  $I_{D2}$ —currents generated by each photodiode in response to the light from the LED.

$A_e$ —gain error.

$$A_e = | \text{Ideal gain/Actual gain} | - 1$$

The output then becomes:

$$V_{OUT} = R_F \left[ \left( \frac{V_{IN} \pm V_{OS}}{R_{IN}} - I_{REF1} \pm I_{OS} \right) (1 + A_e) + I_{REF2} \right] \pm V_{OSO} \quad (2)$$

The total input referred offset voltage of the ISO100 can be simplified in the unipolar case by assuming that  $A_e = 0$  and  $V_{IN} = 0$ :

$$V_{OUT} \approx R_F \left[ \frac{\pm V_{OSI}}{R_{IN}} \pm I_{OS \text{ UNIPOLAR}} \right] \pm V_{OSO} \quad (3)$$

This voltage is then referred back to the input by dividing by  $R_F/R_{IN}$ .

$$V_{OS(RTI)} = (\pm V_{OSI}) \pm R_{IN} (I_{OS \text{ UNIPOLAR}}) + V_{OSO}/(R_F/R_{IN}) \quad (4)$$

**Example 1.** Refer to Figure 2 and Electrical Specifications Table.

Given:  $I_{OS \text{ BIPOLAR}} = +35\text{nA}$

$R_{IN} = 100\text{k}\Omega$

$R_F = 1\text{M}\Omega$  (gain = 10)

$V_{OSI} = +200\mu\text{V}$

$V_{OSO} = +200\mu\text{V}$

Find: The total offset voltage error referred to the input and output when  $V_{IN} = 0\text{V}$ .

$V_{OS}$  total RTI

$$\begin{aligned} &= \{ [\pm V_{OSI} \pm R_{IN} (I_{OS \text{ BIPOLAR}}) - R_{IN} (I_{REF1})] \\ &\quad [1 + A_e] + R_{IN} I_{REF2} \} \pm V_{OSO}/(R_F/R_{IN}) \\ &= \{ [+200\mu\text{V} + 100\text{k}\Omega (35\text{nA}) - 100\text{k}\Omega (12.5\mu\text{A})] \\ &\quad [1.02] + 100\text{k}\Omega (12.5\mu\text{A}) \} + \\ &\quad 200\mu\text{V}/(1\text{M}\Omega/100\text{k}\Omega) \\ &= \{ [0.2\text{mV} + 3.5\text{mV} - 1.25\text{V}] \\ &\quad [1.02] + 1.25\text{V} \} + 0.02\text{mV} \\ &= -21.2\text{mV} \end{aligned}$$

$V_{OS}$  total RTO

$$\begin{aligned} &= V_{OS} \text{ total RTI} \times R_F/R_{IN} \\ &= -21.2\text{mV} \times 10 \\ &= -212\text{mV} \end{aligned}$$

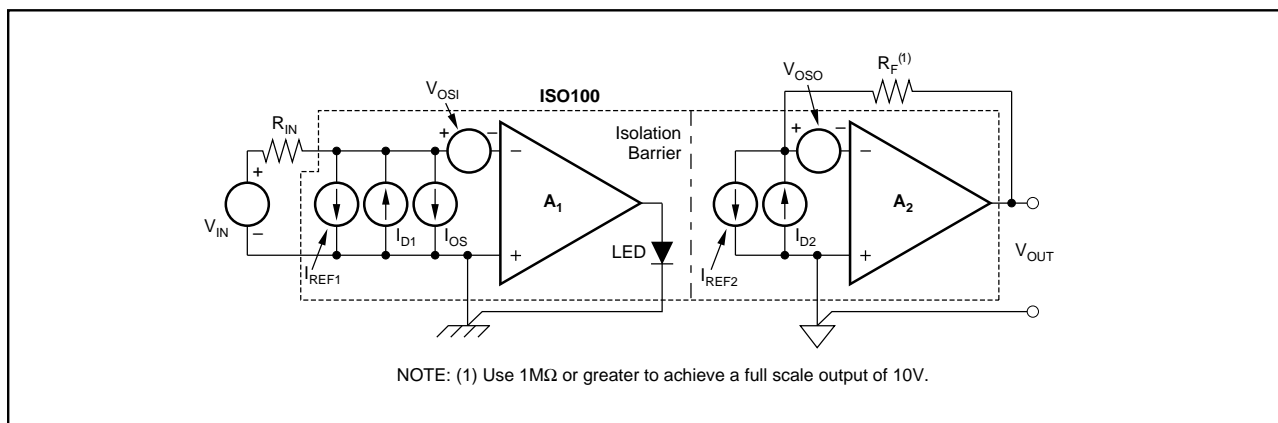


FIGURE 2. Circuit Model for DC Errors in the ISO100.



NOTE: This error is dominated by  $I_{OS \text{ BIPOLAR}}$  and the reference current times the gain error (which appears as an offset). The error for unipolar operation is much lower. The error due to offset current can be zeroed using circuits shown in Figures 6 and 7. The gain error is adjusted by trimming either  $R_F$  or  $R_{IN}$ .

### COMMON-MODE AND HIGH VOLTAGE ERRORS

Figure 3 shows a model of the ISO100 that can be used to analyze common-mode and high voltage behavior.

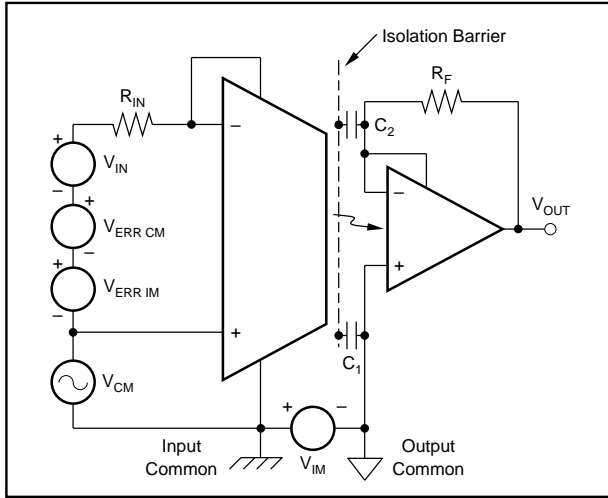


FIGURE 3. High Voltage Error Model.

### Definitions of CMR and IMR

$I_{OS}$  is defined as the input current required to make the ISO100's output zero. CMRR and IMRR in the ISO100 are expressed as conductances. CMRR defines the relationship between a change in the applied common-mode voltage ( $V_{CM}$ ) and the change in  $I_{OS}$  required to maintain the amplifier's output at zero:

$$\text{CMRR (I-mode)} = \Delta I_{OS} / \Delta V_{CM} \text{ in nA/V} \quad (5)$$

$$\text{CMRR (V-mode)} = \left[ \frac{\Delta I_{OS}}{\Delta V_{CM}} \right] R_{IN} = \frac{\Delta V_{ERR \text{ CM}}}{\Delta V_{CM}} \text{ in V/V} \quad (6)$$

IMRR defines the relationship between a change in the applied isolation mode voltage ( $V_{IM}$ ) and the change in  $I_{OS}$  required to maintain the amplifier's output to zero:

$$\text{IMRR (I-mode)} = \frac{\Delta I_{OS}}{\Delta V_{IM}} \text{ in pA/V} \quad (7)$$

$$\text{IMRR (V-mode)} = \left[ \frac{\Delta I_{OS}}{\Delta V_{IM}} \right] R_{IN} = \frac{\Delta V_{ERR \text{ IM}}}{\Delta V_{IM}} \text{ in V/V} \quad (8)$$

CMRR and IMRR in V/V are a function of  $R_{IN}$ .

$V_{IM}$  is the voltage between input common and output common.

$V_{CM}$  is the common-mode voltage (noise that is present on both input lines, typically 60Hz).

$V_{ERR}$  is the equivalent error signal, applied in series with the input voltage, which produces an output error identical to that produced by application of  $V_{CM}$  and  $V_{IM}$ .

CMRR and IMRR are the common-mode and isolation-mode rejection ratios, respectively.

Total Capacitance ( $C_1$  and  $C_2$ ) is distributed along the isolation barrier. Most of the capacitance is coupled to low impedance or noncritical nodes and affects only the leakage current. Only a small capacitance ( $C_2$ ) couples to the input of the second stage, and contributes to IMRR.

**Example 2.** Refer to Figure 3 and Electrical Specification Table.

$$\begin{aligned} \text{Given: } V_{CM} &= 1\text{VAC peak at } 60\text{Hz}, V_{IM} = 200\text{VDC}, \\ \text{CMRR} &= 3\text{nA/V}, \text{IMRR} = 5\text{pA/V}, \\ R_{IN} &= 100\text{k}\Omega, R_F = 1\text{M}\Omega \\ &(\text{Gain} = 10) \end{aligned}$$

Find: The error voltage referred to the input and output when

$$\begin{aligned} V_{IN} &= 0\text{V} \\ V_{ERR \text{ RTI}} &= (V_{CM})(\text{CMRR})(R_{IN}) + (V_{IM})(\text{IMRR})(R_{IN}) \\ &= 1\text{V} (3\text{nA/V})(100\text{k}\Omega) \\ &\quad + 200\text{V} (5\text{pA/V})(100\text{k}\Omega) \\ &= 0.3\text{mV} + 0.1\text{mV} \\ &= 0.4\text{mV} \end{aligned}$$

$$\begin{aligned} V_{ERR \text{ RTO}} &= V_{ERR \text{ RTI}} (R_F/R_{IN}) \\ &= 0.4\text{mV} (10) \\ &= 4\text{mV (with DC IMRR)} \end{aligned}$$

NOTE: This error is dominated by the CMRR term.

For purposes of comparing CMRR and IMRR directly with **dB specifications**, the following calculations can be performed:

$$\begin{aligned} \text{CMRR in V/V} &= \text{CMRR (I-mode)}(R_{IN}) \\ &= 3\text{nA/V} (100\text{k}\Omega) = 0.3\text{mV/V} \end{aligned}$$

$$\text{CMR} = 20 \text{ LOG } (0.3\text{mV/V}) = -70\text{dB at } 60\text{Hz}$$

$$\begin{aligned} \text{IMRR in V/V} &= \text{IMRR (I-mode)}(R_{IN}) = 5\text{pA/V}(100\text{k}\Omega) \\ &= 0.5\mu\text{V/V} \end{aligned}$$

$$\text{IMR} = 20 \text{ LOG } (0.5 \times 10^{-6}\text{V/V}) = -126\text{dB at DC}$$

### Example 3.

In Example 3,  $V_{IM}$  is an AC signal at 60Hz and

$$\text{IMRR} = \frac{400\text{pA}}{\text{V}}$$

$$\begin{aligned} V_{ERR \text{ RTI}} &= V_{ERR \text{ CM}} + V_{ERR \text{ IM}} \\ &= 0.3\text{mV} + 200\text{V} (400\text{pA/V})(100\text{k}\Omega) \\ &= 8.3\text{mV} \end{aligned}$$

$$V_{ERR \text{ RTO}} = 83\text{mV (with AC IMRR)}$$

**Example 4.**

Given: Total error RTO from Examples 1 and 3 as 378mV worst case.

Find: Percent error of +10V full scale output

$$\begin{aligned} \% \text{ Error} &= \frac{V_{ERR \text{ TOTAL}}}{V_{FS}} \times 100\% \\ &= \frac{378\text{mV}}{10\text{V}} \times 100\% \\ &= 3.78\% \end{aligned}$$

**NOISE ERRORS**

Noise errors in the unipolar mode are due primarily to the optical cavity. When the full 60kHz bandwidth is not needed, the output noise of the ISO100 can be limited by either a capacitor,  $C_F$ , in the feedback loop or by a low-pass filter following the output. This is shown in Figure 4. Noise in the bipolar mode is due primarily to the reference current sources, and can be reduced by the low-pass filters shown in Figure 5.

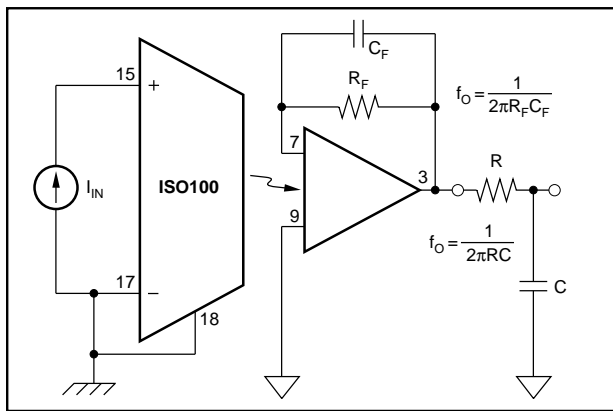


FIGURE 4. Two Circuit Techniques for Reducing Noise in the Unipolar Mode.

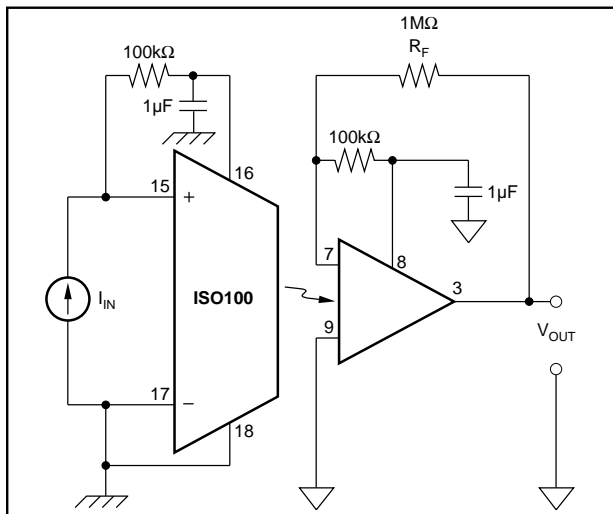


FIGURE 5. Circuit Techniques for Reducing Noise from the Current Sources in the Bipolar Mode.

**OPTIONAL ADJUSTMENTS**

There are two major sources of offset error: offset voltage and offset current.  $V_{OS1}$  and  $V_{OS0}$  of the input and output amplifiers can be adjusted independently using external potentiometers. An example is shown in Figure 17. Note that  $V_{OS0}$  (500μV, max) appears directly at the output, but  $V_{OS1}$  appears at the output multiplied by gain ( $R_F/R_{IN}$ ). In general,  $V_{OS}$  is small compared to the effect of  $I_{OS}$  (see Example 1). To adjust for  $I_{OS}$  use a circuit which intentionally unbalances the offset in one direction and then allows for adjustment back to zero.

Figure 6 shows how to adjust unipolar errors at zero input. The unipolar amplifier can be used down to zero input if it is made to be “slightly bipolar.” By sampling the reference current with  $R_5$  and  $R_6$ , the minimum current required to keep the input stage in the linear region of operation can be established.  $R_7$  and  $R_8$  are adjusted to cancel the offset created in the input stage. This brings the output to zero, when the input is zero. Although the amplifier can now operate down to zero input voltage, it has only a small portion of the current drain and noise that the true bipolar configuration would have.

Adjusting the bipolar errors is illustrated in Figure 7. Each of the errors are adjusted in turn. With  $V_{IN}$  = “open,”  $I_{OS}$  is trimmed by adjusting  $R_{10}$  to make the output zero.  $R_G$  is then adjusted to trim the gain error. The effects of offset voltage are removed by adjusting  $R_{14}$ .

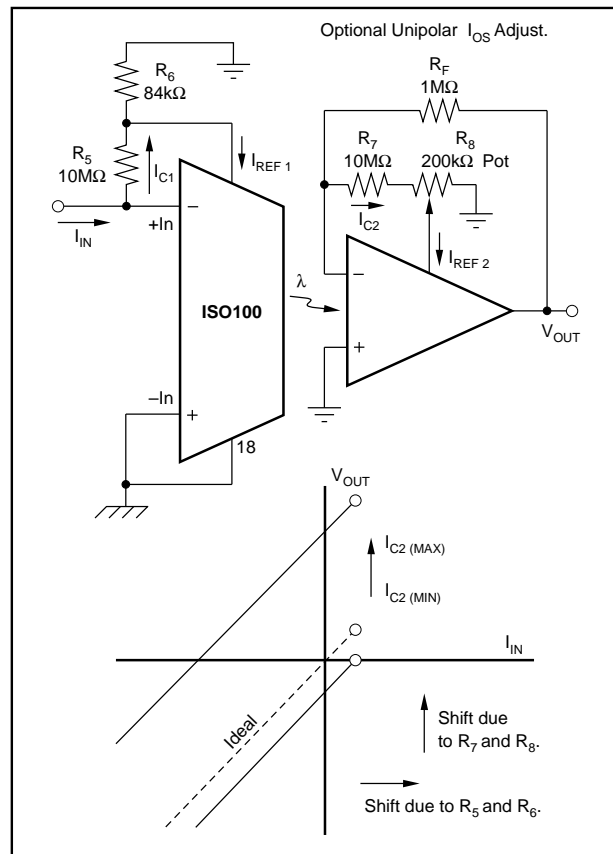


FIGURE 6. Adjusting the Unipolar Amplifier Errors at Zero Input.

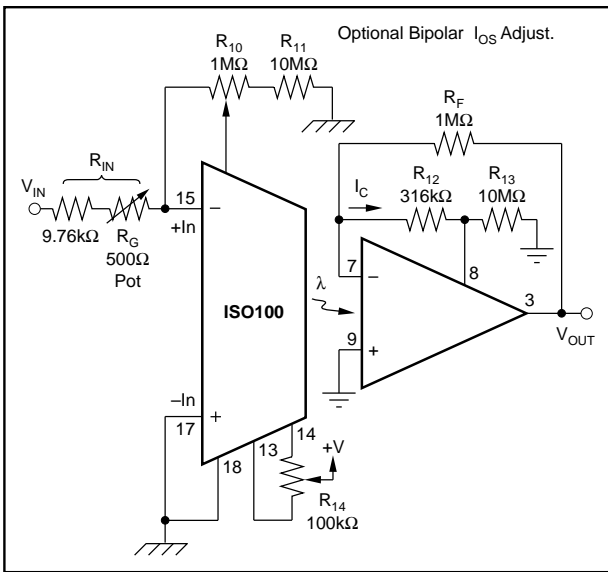


FIGURE 7. Adjusting the Bipolar Errors.

### BASIC CIRCUIT CONNECTIONS

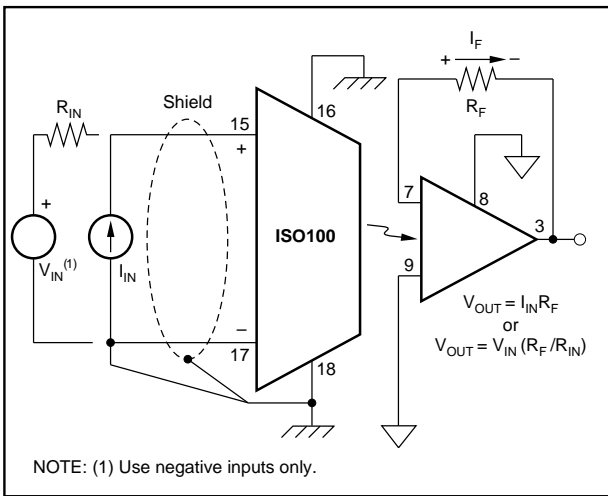


FIGURE 8. Unipolar Noninverting.

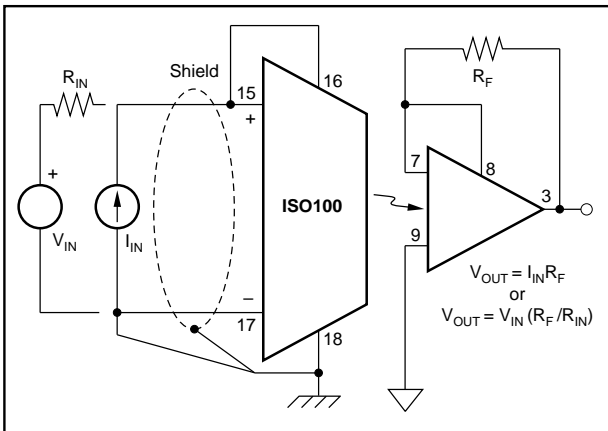


FIGURE 9. Bipolar Noninverting.

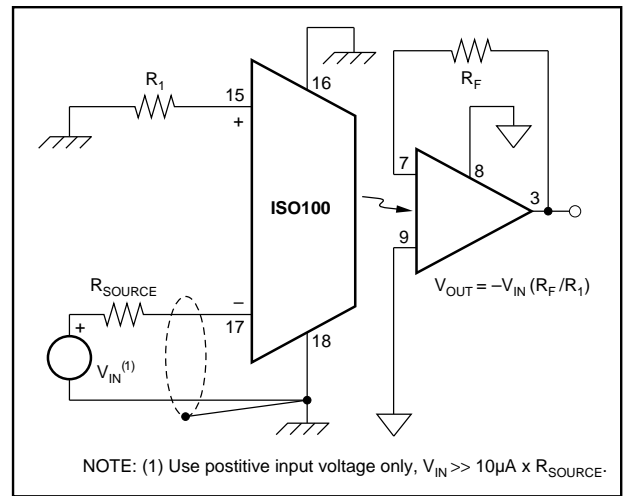


FIGURE 10. Unipolar Inverting.

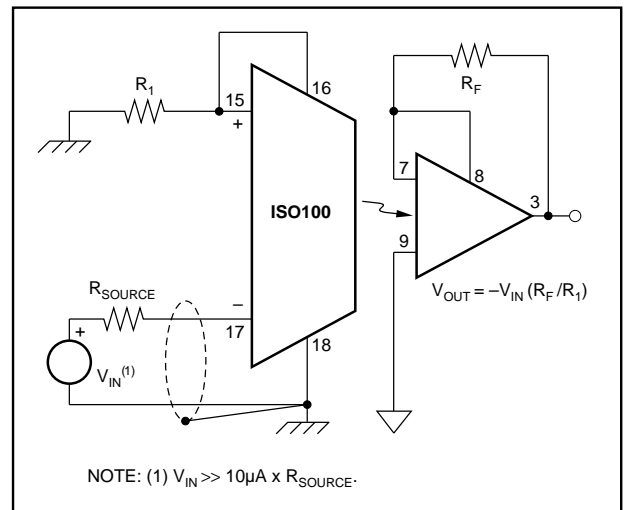


FIGURE 11. Bipolar Inverting.

## APPLICATION INFORMATION

The small size, low offset and drift, wide bandwidth, ultra-low leakage, and low cost, make the ISO100 ideal for a variety of isolation applications. The basic mode of operation of the ISO100 will be determined by the type of signal and application.

Major points to consider when designing circuits with the ISO100.

1. Input Common (pin 18) and -In (pin 17) should be grounded through separate lines. The Input Common can carry a large DC current and may cause feedback to the signal input.
2. Use shielded or twisted pair cable at the input for long lines.
3. Care should be taken to minimize external capacitance across the isolation barrier.

- The distance across the isolation barrier, between external components and conductor patterns, should be maximized to reduce leakage and arcing.
- Although not an absolute requirement, the use of conformally-coated printed circuit boards is recommended.
- When in the unipolar mode, the reference currents (pins 8 and 16) must be terminated.  $I_{IN}$  should be greater than 20nA to keep internal LED on.
- The noise contribution of the reference currents will cause the bipolar mode to be noisier than the unipolar mode.
- The maximum output voltage swing is determined by  $I_{IN}$  and  $R_F$ .

$$V_{SWING} = I_{IN\ MAX} \times R_F$$

- A capacitor (about 3pF) can be connected across  $R_F$  to compensate for peaking in the frequency response. The peaking is caused by the pole generated by  $R_F$  and the capacitance at the input of the output amplifier.

Figure 12 through 18 show applications of the ISO100.

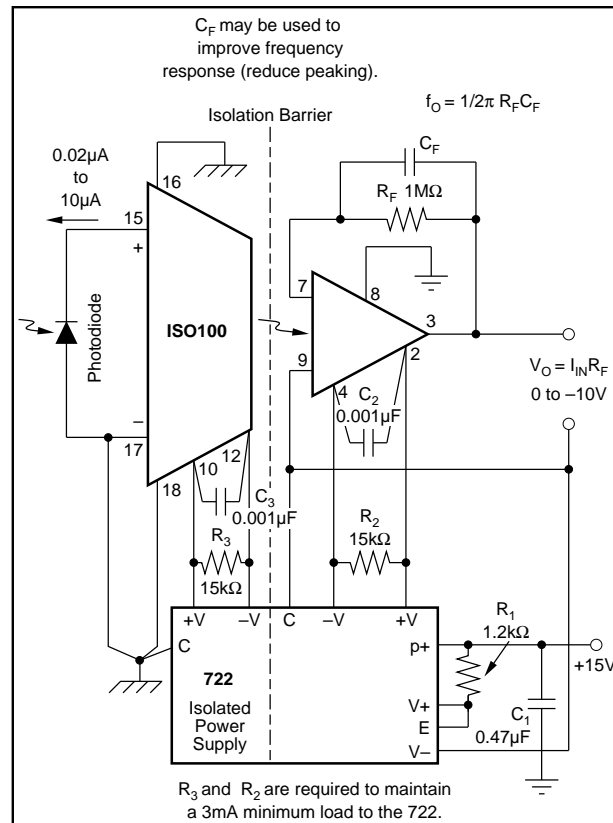
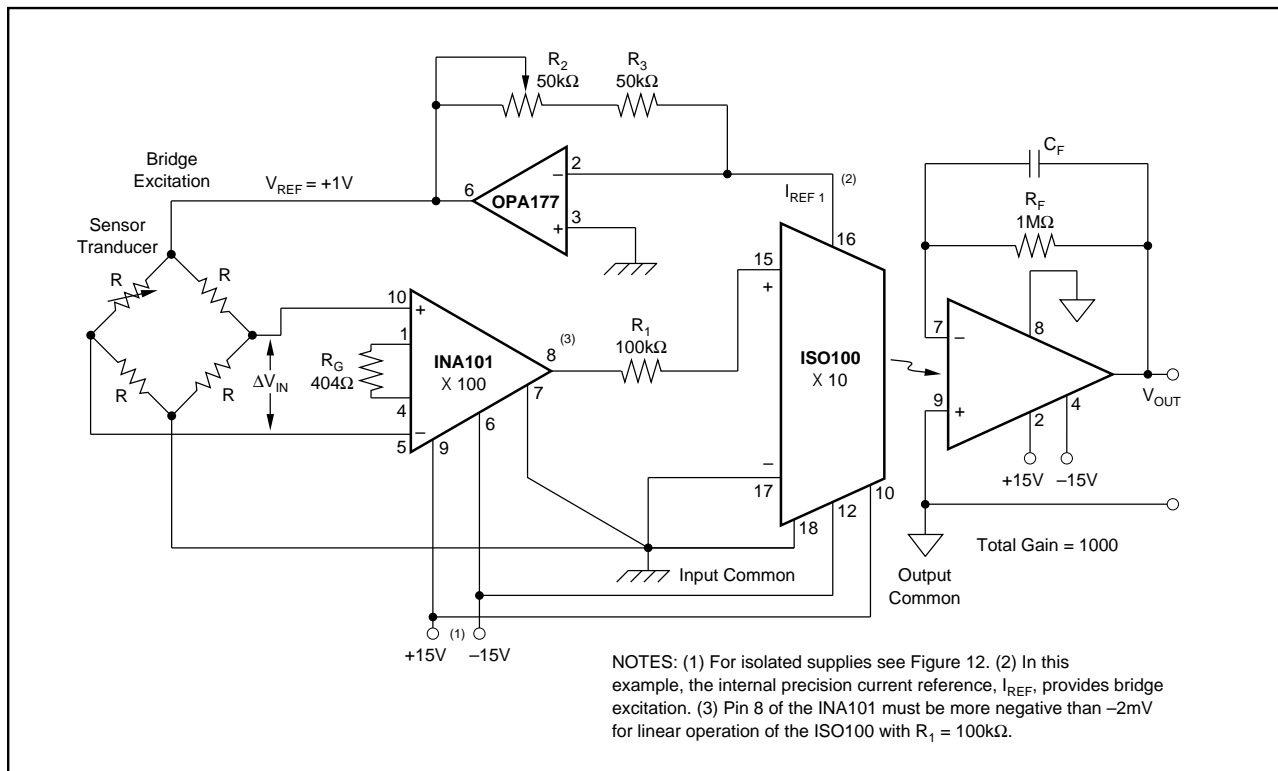


FIGURE 12. Two-Port Isolation Photodiode Amplifier Unipolar.



NOTES: (1) For isolated supplies see Figure 12. (2) In this example, the internal precision current reference,  $I_{REF}$ , provides bridge excitation. (3) Pin 8 of the INA101 must be more negative than -2mV for linear operation of the ISO100 with  $R_1 = 100k\Omega$ .

FIGURE 13. Precision Bridge Isolation Amplifier (Unipolar).

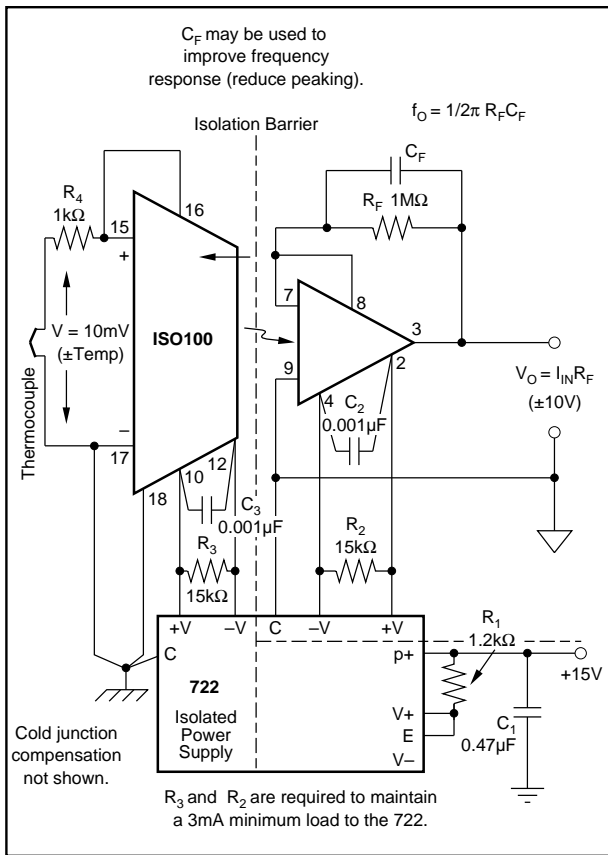


FIGURE 14. Three-Port Isolation Thermocouple Amplifier (Bipolar).

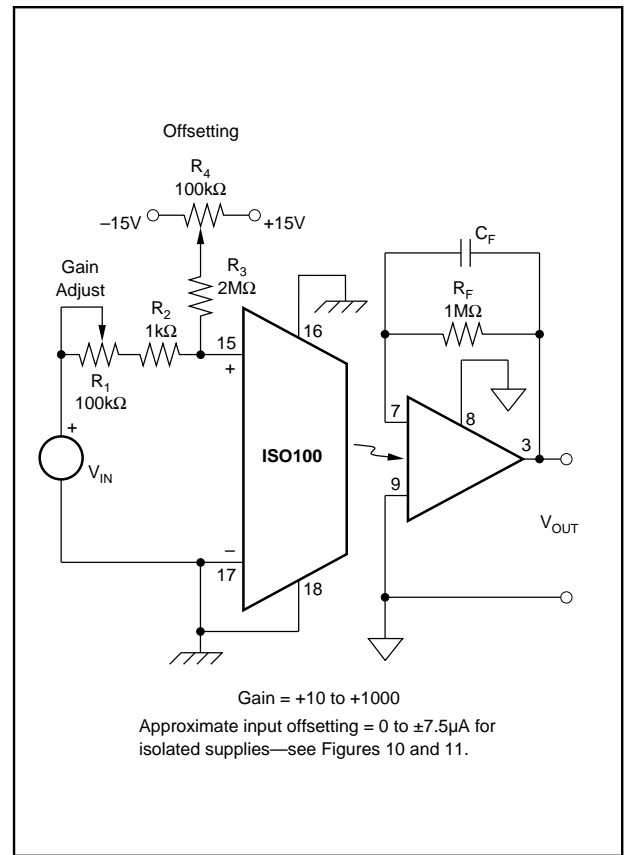


FIGURE 15. Isolated Test Equipment Amplifier (Unipolar with Offsetting).

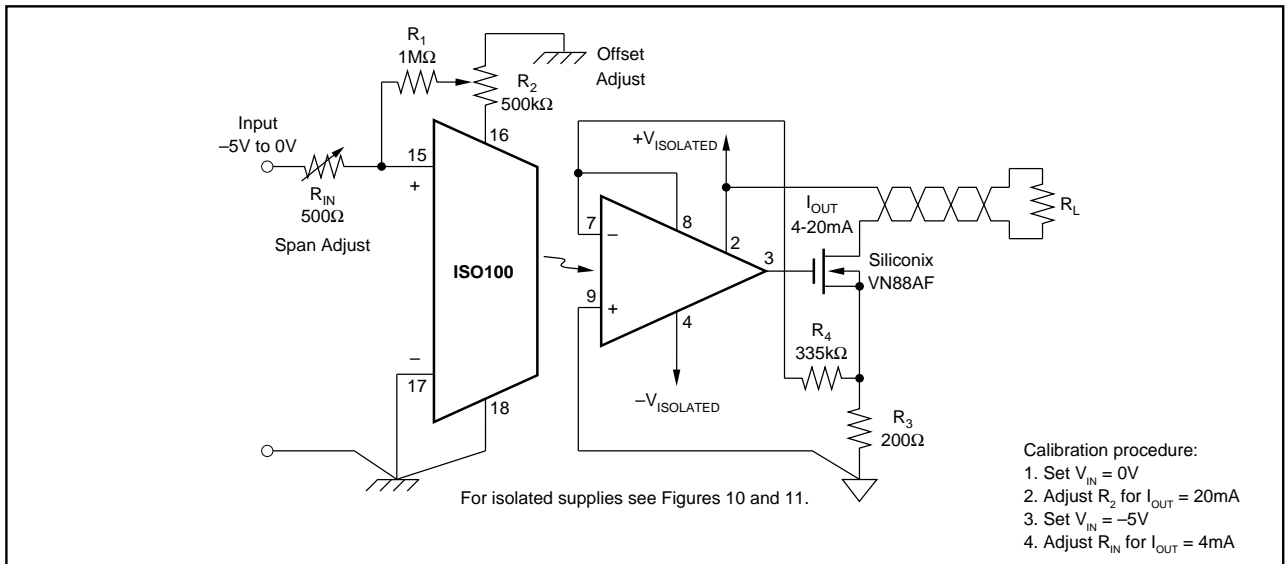


FIGURE 16. Isolated 4mA to 20mA Transmitter (Example of an isolated voltage controlled current source).

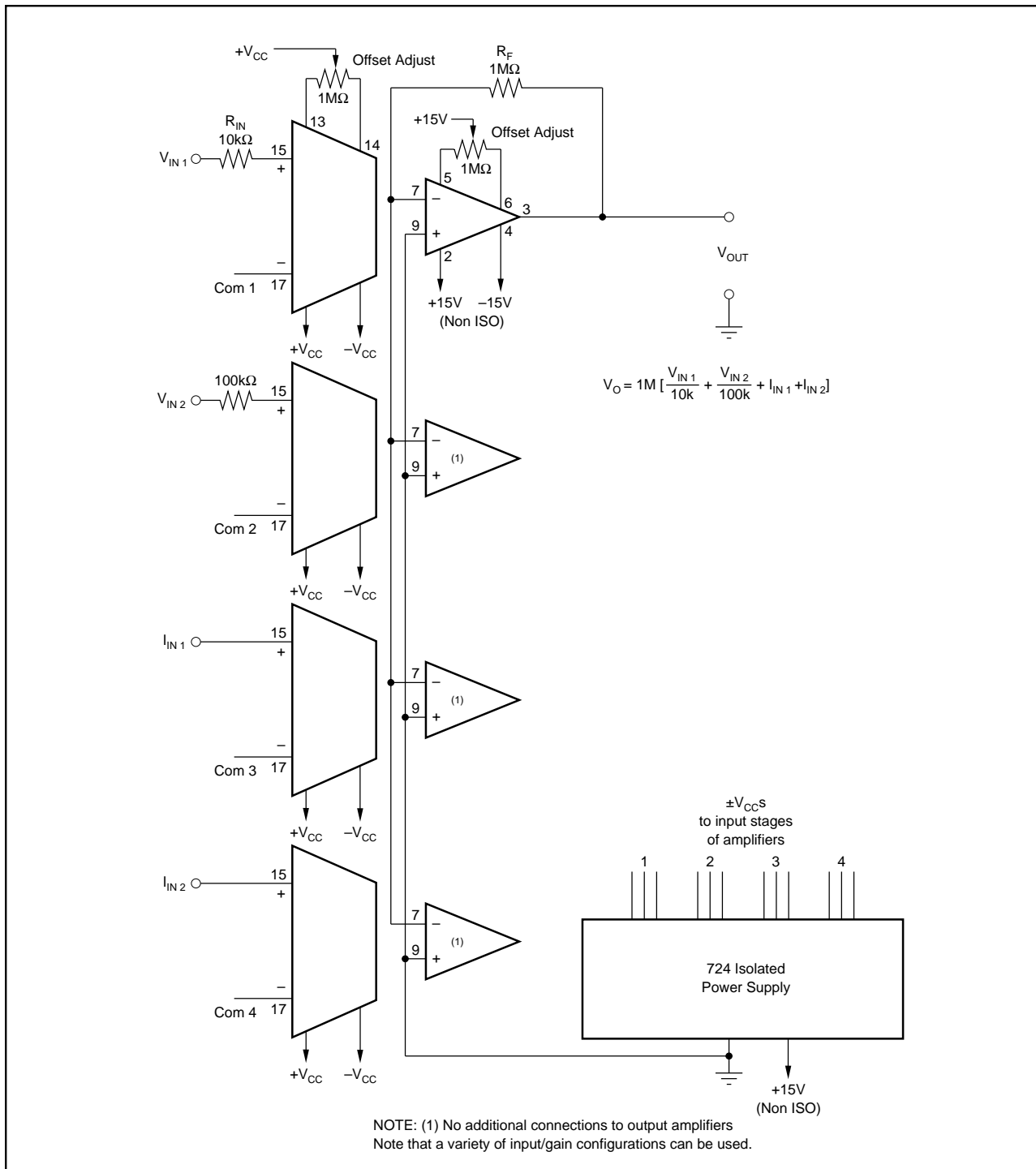


FIGURE 17. Four-Port Isolated Summing Amplifier (Unipolar).

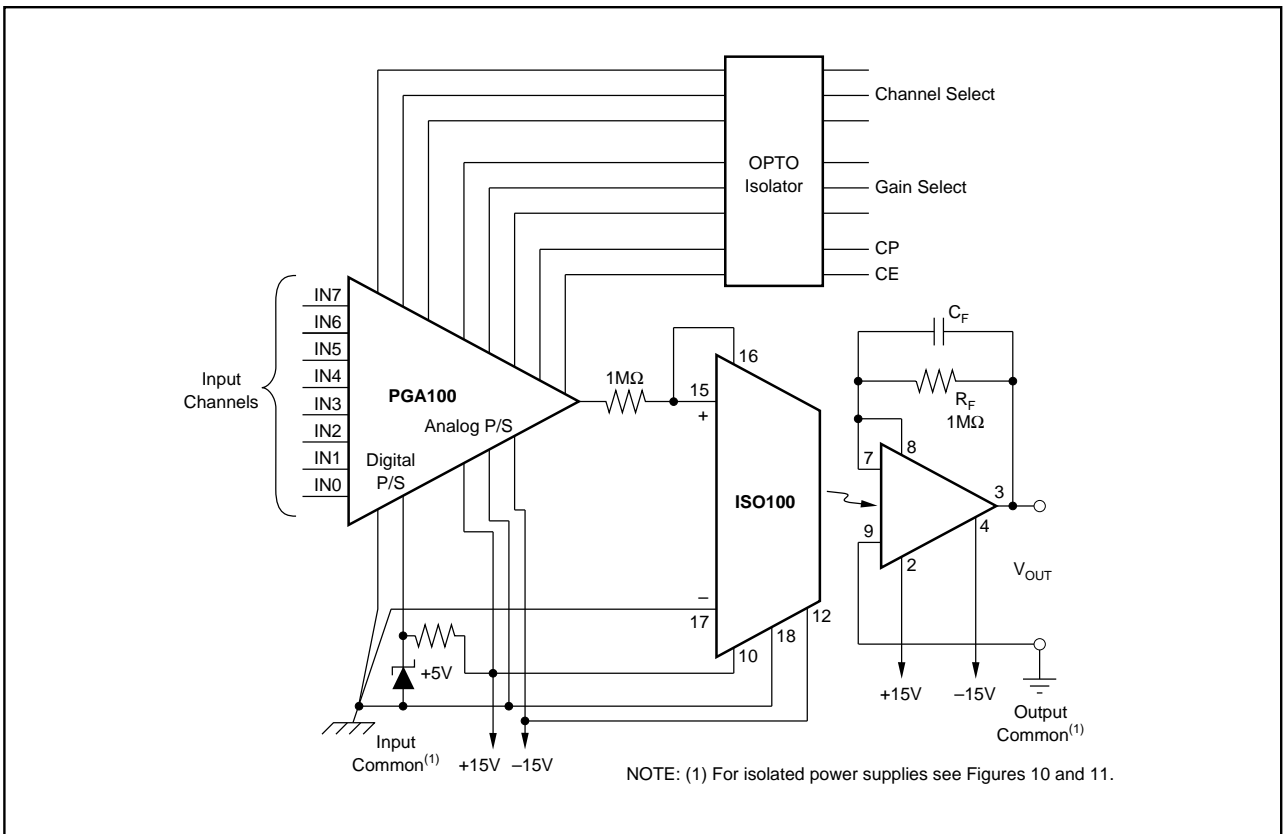
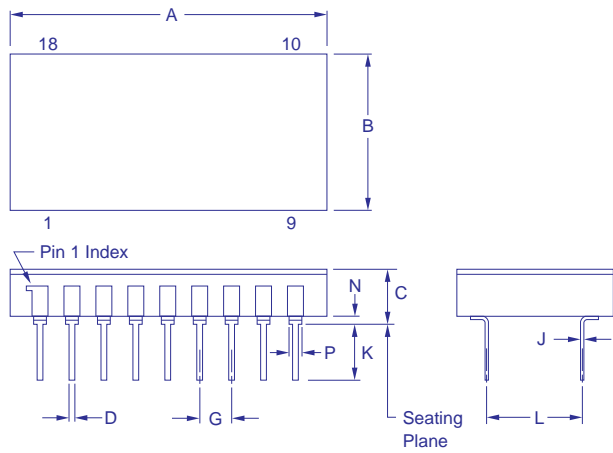


FIGURE 18. Multiple Channel Isolation Amplifier (Bipolar) with Programmable Gain (useful in data acquisition systems).

## MECHANICAL

Package Number 220 — 18-Pin Bottom-Braze DIP



DIM	INCHES		MILLIMETERS	
	MIN	MAX	MIN	MAX
A	.982	1.002	24.94	25.45
B	.480	.500	12.19	12.70
C	.148	.197	3.76	5.00
D	.016	.020	0.41	0.51
F	.050 TYPICAL		1.27 TYPICAL	
G	.095	.105	2.41	2.67
J	.009	.012	0.23	0.30
K	.150	.200	3.81	5.08
L	.290	.310	7.37	7.87
N	.015	.035	0.38	0.89
P	.040 TYPICAL		1.02 TYPICAL	

NOTE: Leads in true position within 0.10" (.25mm) R @ MMC at seating plane.  
Pin numbers shown for reference only. Numbers may not be marked on package.