



Integrated Device Technology, Inc.

## HIGH-PERFORMANCE CMOS BUS TRANSCEIVERS

IDT54/74FCT861A/B  
IDT54/74FCT863A/B

### FEATURES:

- Equivalent to AMD's Am29861-64 bipolar registers in pinout/function, speed and output drive over full temperature and voltage supply extremes
- IDT54/74FCT861A/863A equivalent to FAST™ speed
- **IDT54/74FCT861B/863B 25% faster than FAST**
- High-speed symmetrical bidirectional transceivers
- IOL = 48mA (commercial) and 32mA (military)
- Clamp diodes on all inputs for ringing suppression
- CMOS power levels (1mW typ. static)
- TTL input and output level compatible
- CMOS output level compatible
- Substantially lower input current levels than AMD's bipolar Am29800 Series (5μA max.)
- Product available in Radiation Tolerant and Radiation Enhanced versions
- Military product compliant to MIL-STD-883, Class B

### DESCRIPTION:

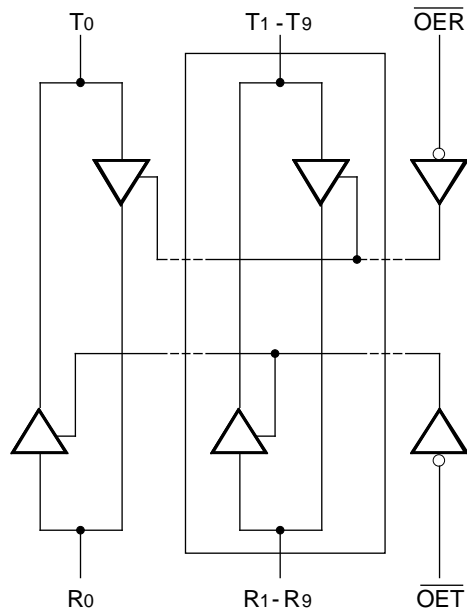
The IDT54/74FCT800 series is built using an advanced dual metal CMOS technology.

The IDT54/74FCT860 series bus transceivers provide high-performance bus interface buffering for wide data/address paths or buses carrying parity. The IDT54/74FCT863 9-bit transceivers have NAND-ed output enables for maximum control flexibility.

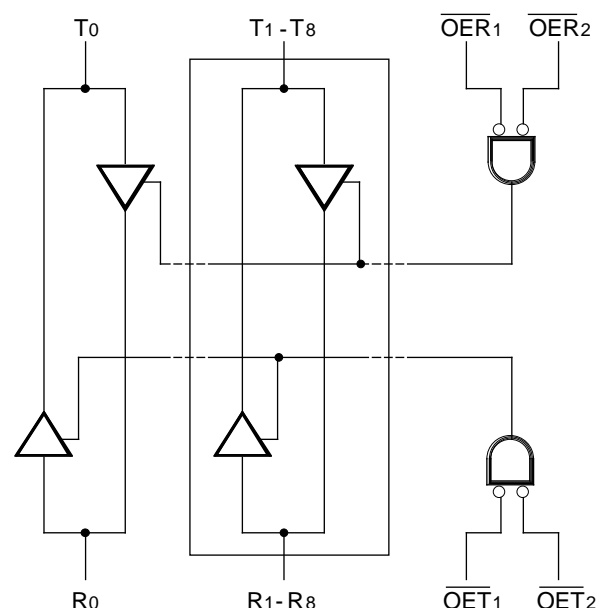
All of the IDT54/74FCT800 high-performance interface family are designed for high-capacitance load drive capability while providing low-capacitance bus loading at both inputs and outputs. All inputs have clamp diodes and all outputs are designed for low-capacitance bus loading in the high-impedance state.

### FUNCTIONAL BLOCK DIAGRAMS

IDT54/74FCT861



IDT54/74FCT863



2610 drw 01

### PRODUCT SELECTOR GUIDE

	Device	
	10-Bit	9-Bit
Non-inverting	IDT54/74FCT861	IDT54/74FCT863

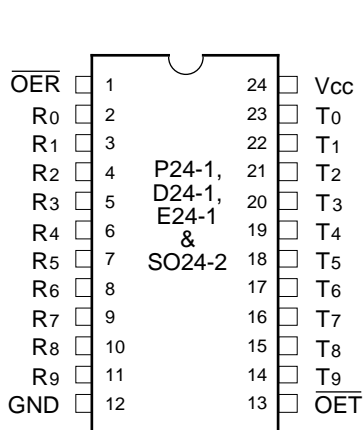
The IDT logo is a registered trademark of Integrated Device Technology, Inc.  
FAST is a trademark of National Semiconductor Co.

### MILITARY AND COMMERCIAL TEMPERATURE RANGES

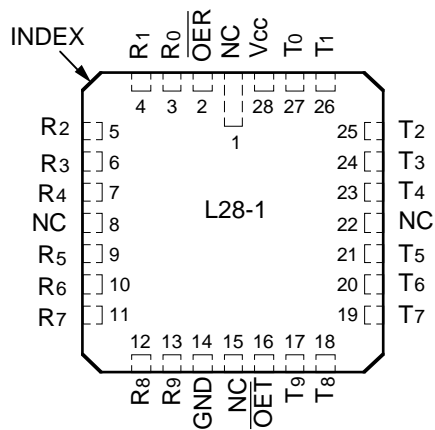
APRIL 1994

## PIN CONFIGURATIONS

### IDT54/74FCT861 10-BIT TRANSCEIVERS

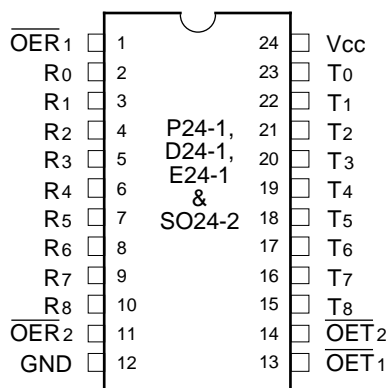


DIP/CERPACK/SOIC  
TOP VIEW

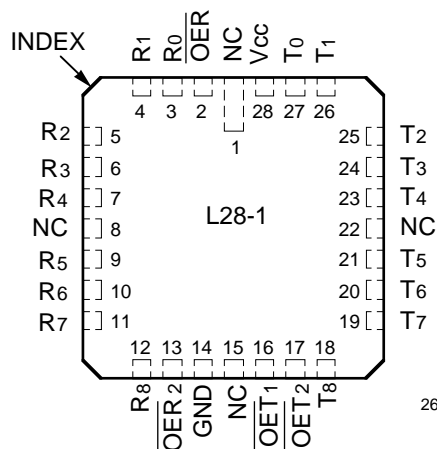


LCC  
TOP VIEW

### IDT54/74FCT863 9-BIT TRANSCEIVERS



DIP/CERPACK/SOIC  
TOP VIEW

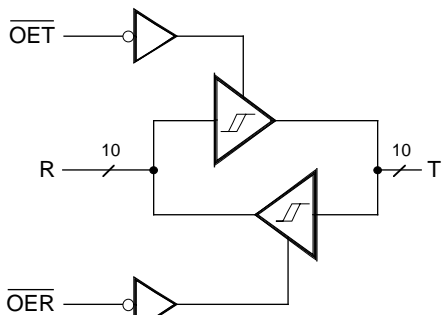


LCC  
TOP VIEW

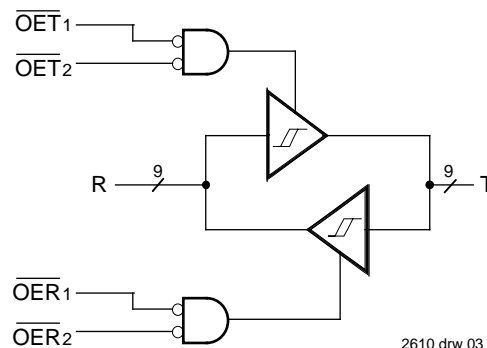
2610 drw 02

## LOGIC SYMBOLS

### IDT54/74FCT861



### IDT54/74FCT863



2610 drw 03

## PIN DESCRIPTION

Name	I/O	Description
<b>IDT54/74FCT861</b>		
$\overline{OER}$	I	When LOW in conjunction with $\overline{OET}$ HIGH activates the RECEIVE mode.
$\overline{OET}$	I	When LOW in conjunction with $\overline{OER}$ HIGH activates the TRANSMIT mode.
Ri	I/O	10-bit RECEIVE input/output.
Ti	I/O	10-bit TRANSMIT input/output.
<b>IDT54/74FCT863</b>		
$\overline{OER}_i$	I	When LOW in conjunction with $\overline{OET}_i$ HIGH activates the RECEIVE mode.
$\overline{OET}_i$	I	When LOW in conjunction with $\overline{OER}_i$ HIGH activates the TRANSMIT mode.
Ri	I/O	9-bit RECEIVE input/output.
Ti	I/O	9-bit TRANSMIT input/output.

2610 tbl 01

## FUNCTION TABLE<sup>(1)</sup>

### IDT54/74FCT861/863 (Non-inverting)

Inputs				Outputs		Function
$\overline{OET}$	$\overline{OER}$	Ri	Ti	Ri	Ti	
L	H	L	N/A	N/A	L	Transmitting
L	H	H	N/A	N/A	H	Transmitting
H	L	N/A	L	L	N/A	Receiving
H	L	N/A	H	H	N/A	Receiving
H	H	X	X	Z	Z	High Z

**NOTE:** 2610 tbl 02  
1. H = HIGH, L = LOW, Z = High Impedance, X = Don't Care, N/A = Not Applicable.

## ABSOLUTE MAXIMUM RATINGS<sup>(1)</sup>

Symbol	Rating	Commercial	Military	Unit
$V_{TERM}^{(2)}$	Terminal Voltage with Respect to GND	-0.5 to +7.0	-0.5 to +7.0	V
$V_{TERM}^{(3)}$	Terminal Voltage with Respect to GND	-0.5 to Vcc	-0.5 to Vcc	V
TA	Operating Temperature	0 to +70	-55 to +125	°C
TBIAS	Temperature Under Bias	-55 to +125	-65 to +135	°C
TSTG	Storage Temperature	-55 to +125	-65 to +150	°C
PT	Power Dissipation	0.5	0.5	W
IOUT	DC Output Current	120	120	mA

**NOTES:** 2610 tbl 03

- Stresses greater than those listed under ABSOLUTE MAXIMUM RATINGS may cause permanent damage to the device. This is a stress rating only and functional operation of the device at these or any other conditions above those indicated in the operational sections of this specification is not implied. Exposure to absolute maximum rating conditions for extended periods may affect reliability. No terminal voltage may exceed Vcc by +0.5V unless otherwise noted.
- Inputs and Vcc terminals only.
- Outputs and I/O terminals only.

## CAPACITANCE (TA = +25°C, f = 1.0MHz)

Symbol	Parameter <sup>(1)</sup>	Conditions	Typ.	Max.	Unit
CIN	Input Capacitance	VIN = 0V	6	10	pF
CI/O	I/O Capacitance	VOUT = 0V	8	12	pF

**NOTE:** 2610 tbl 04  
1. This parameter is guaranteed by characterization but not tested.

## DC ELECTRICAL CHARACTERISTICS OVER OPERATING RANGE

Following Conditions Apply Unless Otherwise Specified:  $V_{LC} = 0.2V$ ,  $V_{HC} = V_{CC} - 0.2V$

Commercial:  $T_A = 0^{\circ}C$  to  $+70^{\circ}C$ ,  $V_{CC} = 5.0V \pm 5\%$ ; Military:  $T_A = -55^{\circ}C$  to  $+125^{\circ}C$ ,  $V_{CC} = 5.0V \pm 10\%$

Symbol	Parameter	Test Conditions <sup>(1)</sup>		Min.	Typ. <sup>(2)</sup>	Max.	Unit
$V_{IH}$	Input HIGH Level	Guaranteed Logic HIGH Level		2.0	—	—	V
$V_{IL}$	Input LOW Level	Guaranteed Logic LOW Level		—	—	0.8	V
$I_{IH}$	Input HIGH Current (Except I/O pins)	$V_{CC} = \text{Max.}$	$V_I = V_{CC}$	—	—	5	$\mu A$
			$V_I = 2.7V$	—	—	$5^{(4)}$	
$I_{IL}$	Input LOW Current (Except I/O pins)	$V_{CC} = \text{Max.}$	$V_I = 0.5V$	—	—	$-5^{(4)}$	$\mu A$
			$V_I = GND$	—	—	-5	
$I_{IH}$	Input HIGH Current (I/O pins Only)	$V_{CC} = \text{Max.}$	$V_I = V_{CC}$	—	—	15	$\mu A$
			$V_I = 2.7V$	—	—	$15^{(4)}$	
$I_{IL}$	Input LOW Current (I/O pins Only)	$V_{CC} = \text{Max.}$	$V_I = 0.5V$	—	—	$-15^{(4)}$	$\mu A$
			$V_I = GND$	—	—	-15	
$V_{IK}$	Clamp Diode Voltage	$V_{CC} = \text{Min.}$ , $I_N = -18mA$		—	-0.7	-1.2	V
$I_{OS}$	Short Circuit Current	$V_{CC} = \text{Max.}^{(3)}$ , $V_O = GND$		-75	-120	—	mA
$V_{OH}$	Output HIGH Voltage	$V_{CC} = 3V$ , $V_{IN} = V_{LC}$ or $V_{HC}$ , $I_{OH} = -32\mu A$		$V_{HC}$	$V_{CC}$	—	V
		$V_{CC} = \text{Min.}$ $V_{IN} = V_{IH}$ or $V_{IL}$	$I_{OH} = -300\mu A$	$V_{HC}$	$V_{CC}$	—	
			$I_{OH} = -15mA$ MIL.	2.4	4.3	—	
			$I_{OH} = -24mA$ COM'L.	2.4	4.3	—	
$V_{OL}$	Output LOW Voltage	$V_{CC} = 3V$ , $V_{IN} = V_{LC}$ or $V_{HC}$ , $I_{OL} = 300\mu A$		—	GND	$V_{LC}$	V
		$V_{CC} = \text{Min.}$ $V_{IN} = V_{IH}$ or $V_{IL}$	$I_{OL} = 300\mu A$	—	GND	$V_{LC}^{(4)}$	
			$I_{OL} = 32mA$ MIL. <sup>(5)</sup>	—	0.3	0.5	
			$I_{OL} = 48mA$ COM'L. <sup>(5)</sup>	—	0.3	0.5	

### NOTES:

2610 tbl 05

- For conditions shown as Max. or Min., use appropriate value specified under Electrical Characteristics for the applicable device type.
- Typical values are at  $V_{CC} = 5.0V$ ,  $+25^{\circ}C$  ambient and maximum loading.
- Not more than one output should be shorted at one time. Duration of the short circuit test should not exceed one second.
- This parameter is guaranteed but not tested.
- These are maximum  $I_{OL}$  values per output, for 10 outputs turned on simultaneously. Total maximum  $I_{OL}$  (all outputs) is 480mA for commercial and 320mA for military. Derate  $I_{OL}$  for number of outputs exceeding 10 turned on simultaneously.

## POWER SUPPLY CHARACTERISTICS

$V_{LC} = 0.2V$ ;  $V_{HC} = V_{CC} - 0.2V$

Symbol	Parameter	Test Conditions <sup>(1)</sup>		Min.	Typ. <sup>(2)</sup>	Max.	Unit
I <sub>CC</sub>	Quiescent Power Supply Current	V <sub>CC</sub> = Max. V <sub>IN</sub> ≥ V <sub>HC</sub> ; V <sub>IN</sub> ≤ V <sub>LC</sub>		—	0.2	1.5	mA
ΔI <sub>CC</sub>	Quiescent Power Supply Current TTL Inputs HIGH	V <sub>CC</sub> = Max. V <sub>IN</sub> = 3.4V <sup>(3)</sup>		—	0.5	2.0	mA
I <sub>CCD</sub>	Dynamic Power Supply Current <sup>(4)</sup>	V <sub>CC</sub> = Max., Outputs Open O <sub>ER</sub> or O <sub>ET</sub> = GND One Input Toggling 50% Duty Cycle	V <sub>IN</sub> ≥ V <sub>HC</sub> V <sub>IN</sub> ≤ V <sub>LC</sub>	—	0.15	0.25	mA/ MHz
I <sub>C</sub>	Total Power Supply Current <sup>(6)</sup>	V <sub>CC</sub> = Max., Outputs Open f <sub>i</sub> = 10MHz 50% Duty Cycle O <sub>ER</sub> or O <sub>ET</sub> = GND One Bit Toggling	V <sub>IN</sub> ≥ V <sub>HC</sub> V <sub>IN</sub> ≤ V <sub>LC</sub> (FCT)	—	1.7	4.0	mA
			V <sub>IN</sub> = 3.4V V <sub>IN</sub> = GND	—	2.0	5.0	
		V <sub>CC</sub> = Max., Outputs Open f <sub>i</sub> = 2.5MHz 50% Duty Cycle O <sub>ER</sub> or O <sub>ET</sub> = GND Eight Bits Toggling	V <sub>IN</sub> ≥ V <sub>HC</sub> V <sub>IN</sub> ≤ V <sub>LC</sub> (FCT)	—	3.2	6.5 <sup>(5)</sup>	
			V <sub>IN</sub> = 3.4V V <sub>IN</sub> = GND	—	5.2	14.5 <sup>(5)</sup>	

### NOTES:

- For conditions shown as Max. or Min., use appropriate value specified under Electrical Characteristics for the applicable device type.
- Typical values are at V<sub>CC</sub> = 5.0V, +25°C ambient.
- Per TTL driven input (V<sub>IN</sub> = 3.4V); all other inputs at V<sub>CC</sub> or GND.
- This parameter is not directly testable, but is derived for use in Total Power Supply calculations.
- Values for these conditions are examples of the I<sub>CC</sub> formula. These limits are guaranteed but not tested.

6.  $I_C = I_{QUIESCENT} + I_{INPUTS} + I_{DYNAMIC}$   
 $I_C = I_{CC} + \Delta I_{CC} D_H N_T + I_{CCD} (f_{CP}/2 + f_i N_i)$   
 I<sub>CC</sub> = Quiescent Current  
 ΔI<sub>CC</sub> = Power Supply Current for a TTL High Input (V<sub>IN</sub> = 3.4V)  
 D<sub>H</sub> = Duty Cycle for TTL Inputs High  
 N<sub>T</sub> = Number of TTL Inputs at D<sub>H</sub>  
 I<sub>CCD</sub> = Dynamic Current Caused by an Input Transition Pair (HLH or LHL)  
 f<sub>CP</sub> = Clock Frequency for Register Devices (Zero for Non-Register Devices)  
 f<sub>i</sub> = Input Frequency  
 N<sub>i</sub> = Number of Inputs at f<sub>i</sub>  
 All currents are in milliamps and all frequencies are in megahertz.

2610 tbl 06

### SWITCHING CHARACTERISTICS OVER OPERATING RANGE

Symbol	Parameter	Condition <sup>(1)</sup>	FCT861A/863A				FCT861B/863B				Unit
			Com'l.		Mil.		Com'l.		Mil.		
			Min. <sup>(2)</sup>	Max.	Min. <sup>(2)</sup>	Max.	Min. <sup>(2)</sup>	Max.	Min. <sup>(2)</sup>	Max.	
tPLH tPHL	Propagation Delay RI to TI or TI to RI FCT861/863	CL = 50pF RL = 500Ω	1.5	8.0	1.5	9.0	1.5	6.0	1.5	6.5	ns
		CL = 300pF <sup>(3)</sup> RL = 500Ω	1.5	15.0	1.5	17.0	1.5	13.0	1.5	14.0	
tPZH tPZL	Output Enable Time $\overline{OET}$ to TI or $\overline{OER}$ to RI	CL = 50pF RL = 500Ω	1.5	12.0	1.5	13.0	1.5	8.0	1.5	9.0	ns
		CL = 300pF <sup>(3)</sup> RL = 500Ω	1.5	20.0	1.5	22.0	1.5	15.0	1.5	16.0	
tPHZ tPLZ	Output Disable Time $\overline{OET}$ to TI or $\overline{OER}$ to RI	CL = 5pF <sup>(3)</sup> RL = 500Ω	1.5	9.0	1.5	9.0	1.5	6.0	1.5	7.0	ns
		CL = 50pF RL = 500Ω	1.5	10.0	1.5	10.0	1.5	7.0	1.5	8.0	

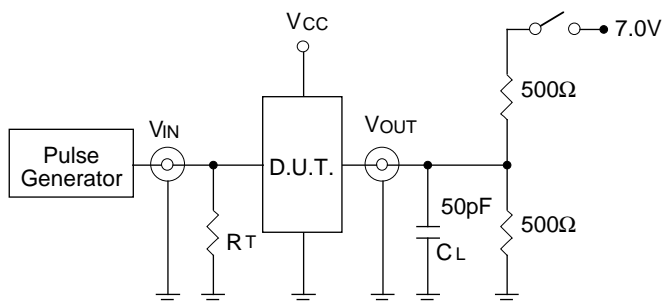
**NOTES:**

1. See test circuits and waveforms.
2. Minimum limits are guaranteed but not tested on Propagation Delays.
3. This condition guaranteed but not tested.

2610 tbl 07

## TEST CIRCUITS AND WAVEFORMS

### TEST CIRCUITS FOR ALL OUTPUTS



### SWITCH POSITION

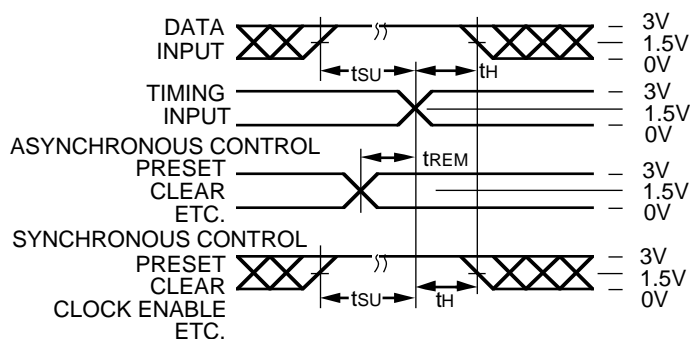
Test	Switch
Open Drain Disable Low Enable Low	Closed
All Other Tests	Open

#### DEFINITIONS:

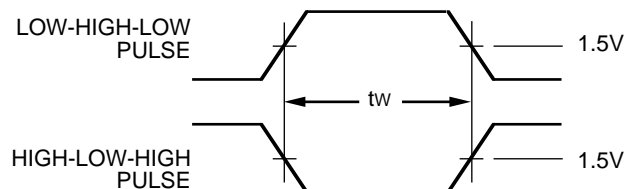
CL = Load capacitance: includes jig and probe capacitance.  
RT = Termination resistance: should be equal to ZOUT of the Pulse Generator.

2610 tbl 08

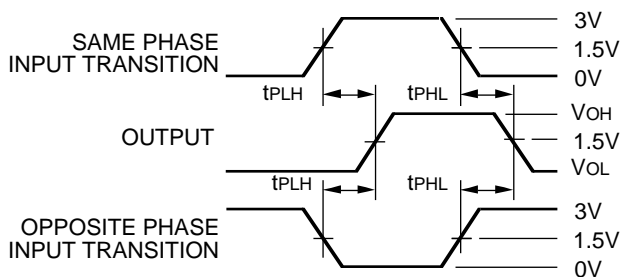
### SET-UP, HOLD AND RELEASE TIMES



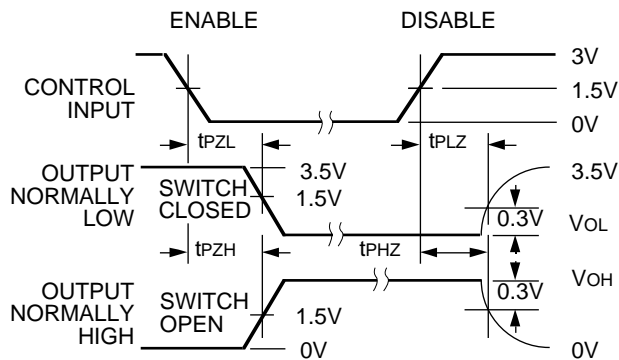
### PULSE WIDTH



### PROPAGATION DELAY



### ENABLE AND DISABLE TIMES

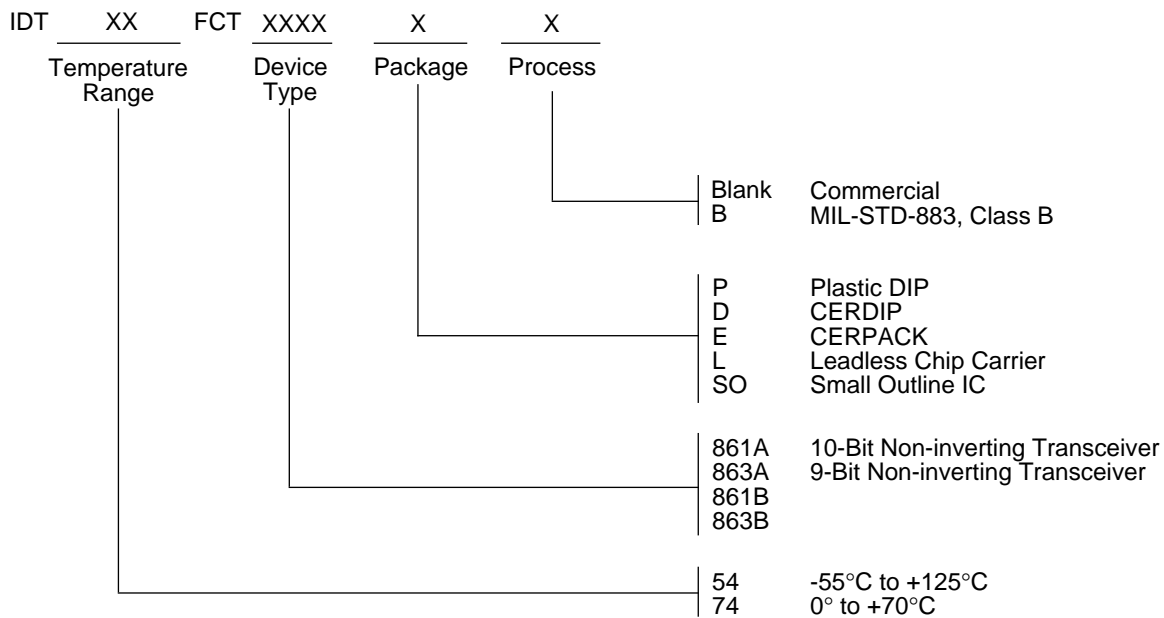


2610 drw 03

#### NOTES:

- Diagram shown for input Control Enable-LOW and input Control Disable-HIGH
- Pulse Generator for All Pulses: Rate  $\leq$  1.0MHz;  $t_f \leq$  2.5ns;  $t_r \leq$  2.5ns

**ORDERING INFORMATION**



2610 drw 04