

---

# HA13118

## 18 W BTL Audio Power Amplifier

# HITACHI

ADE-207-329 (Z)

1st Edition  
Dec. 2000

---

### Description

The HA13118 is power IC designed for component car stereo amplifiers. At 13.2 V to 4  $\Omega$  load, this power IC provides an output power of 18W with 10% distortion.

It is easy to design as this IC employs internal each protection circuit and the new small package.

### Features

- Small outline package, easy to mount
- Internal each protection circuits
  - Surge protection circuit
  - Thermal shut-down circuit
  - Ground fault protection circuit
  - Power supply fault protection circuit

### Absolute Maximum Ratings (Ta = 25°C)

Item	Symbol	Rating	Unit	Note
Operating supply voltage	V <sub>cc</sub>	18	V	
DC supply voltage	V <sub>cc</sub> (DC)	26	V	1
Peak supply voltage	V <sub>cc</sub> (peak)	50	V	2
Output current	I <sub>o</sub> (peak)	4	A	
Power dissipation	P <sub>T</sub>	15	W	
Thermal resistance	$\theta_j - c$	3.5	°C/W	
Junction temperature	T <sub>j</sub>	150	°C	
Operating temperature	T <sub>opr</sub>	-30 to +80	°C	
Storage temperature	T <sub>stg</sub>	-55 to +125	°C	

Notes: 1. Value at t = 30 sec.

2. Value at width tw = 200 ms and rise time tr = 1 ms.

# HA13118

## Electrical Characteristics ( $V_{CC} = 13.2 \text{ V}$ , $f = 1 \text{ kHz}$ , $R_L = 4 \Omega$ , $T_a = 25 \text{ }^\circ\text{C}$ )

Item	Symbol	Min	Typ	Max	Unit	Test Conditions
Quiescent current	$I_Q$	40	80	160	mA	$V_{in} = 0$
Input bias voltage	$V_B$	—	20	40	mV	$V_{in} = 0$
Output offset voltage	$\Delta V_Q$	—	—	+330	mV	$V_{in} = 0$
Voltage gain	$G_V$	53	55	57	dB	$V_{in} = -55 \text{ dBm}$
Output power	$P_{out}$	15	18	—	W	THD = 10 % $R_L = 4 \Omega$
		—	11	—		
Total harmonic distortion	THD	—	0.2	1.0	%	$P_{out} = 1.5 \text{ W}$
Output noise voltage	WBN	—	1.0	2.0	mV	$R_g = 10 \text{ k}\Omega$ , BW = 20 Hz 20 kHz
Supply voltage rejection ratio	SVR	33	44	—	dB	$f = 500 \text{ Hz}$
Input resistance	$R_{in}$	20	30	40	$\text{k}\Omega$	
Rolloff frequency	$f_L$	—	20	—	Hz	$\Delta G_V = -3 \text{ dB}$ Low
	$f_H$	10	20	40	kHz	from $f = 1 \text{ kHz}$ Ref. High

Block Diagram

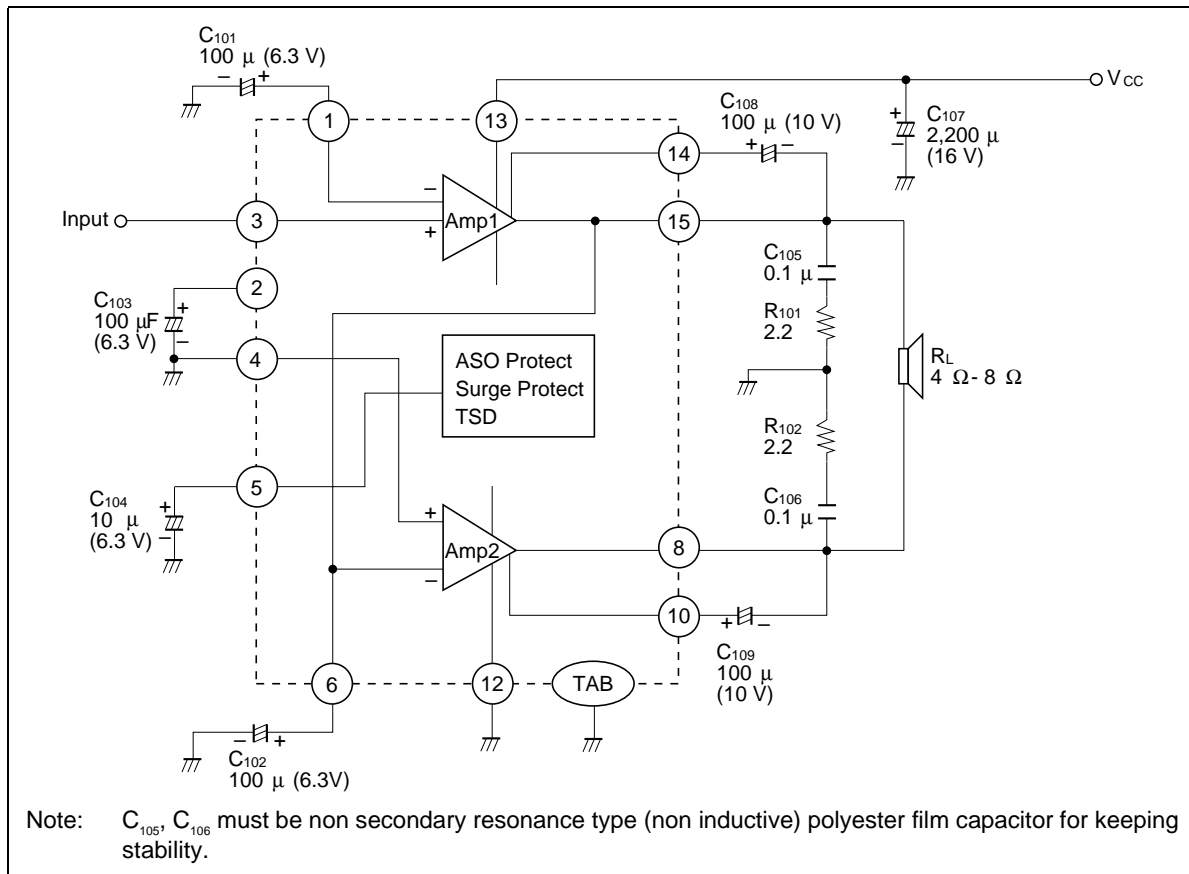


Figure 1 Typical Application Circuit

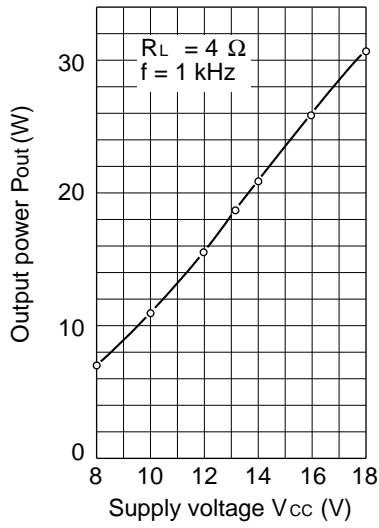


Figure 2 Output Power vs. Supply Voltage

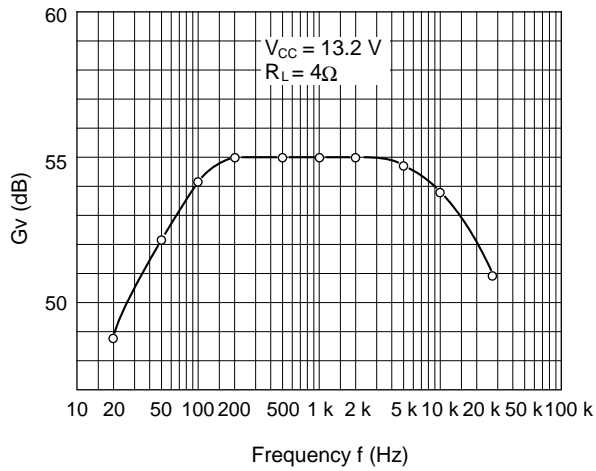


Figure 3 Voltage Gain vs. Frequency

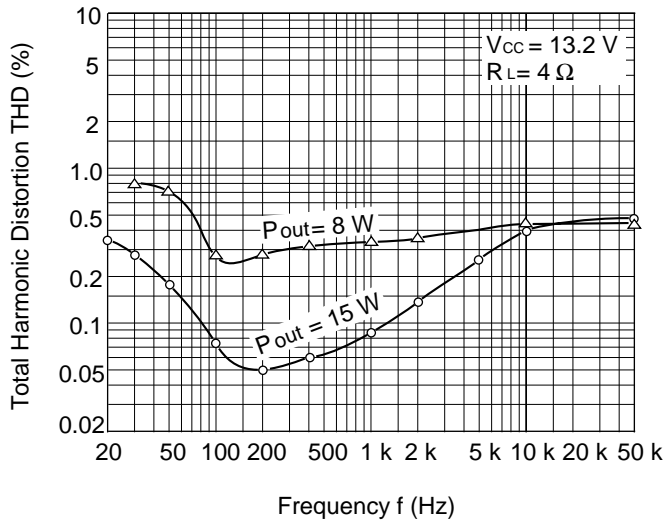


Figure 4 Total Harmonic Distortion vs. Frequency

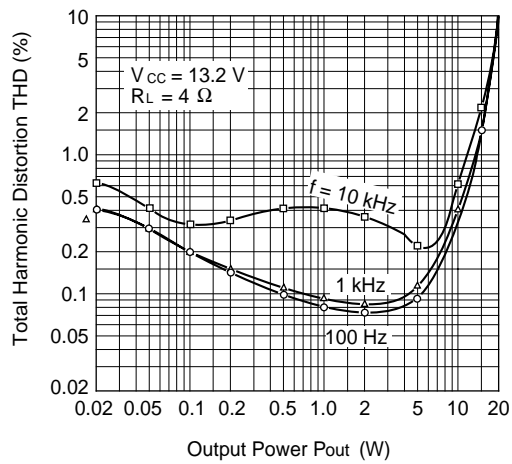


Figure 5 Total Harmonic Distortion vs. Output Power

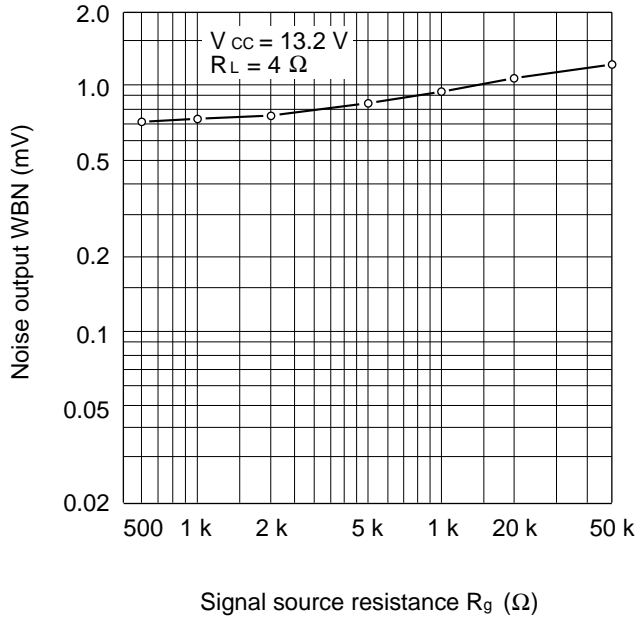


Figure 6 Noise Output vs. Signal Source Resistance

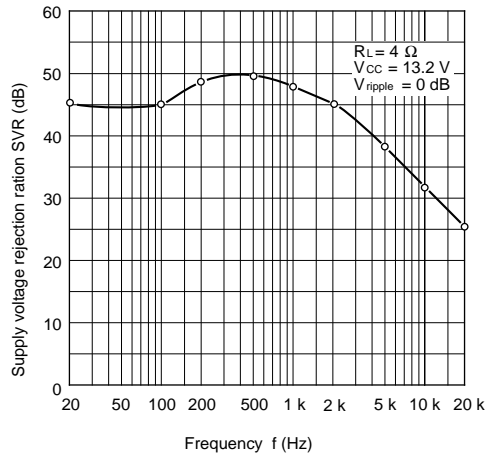
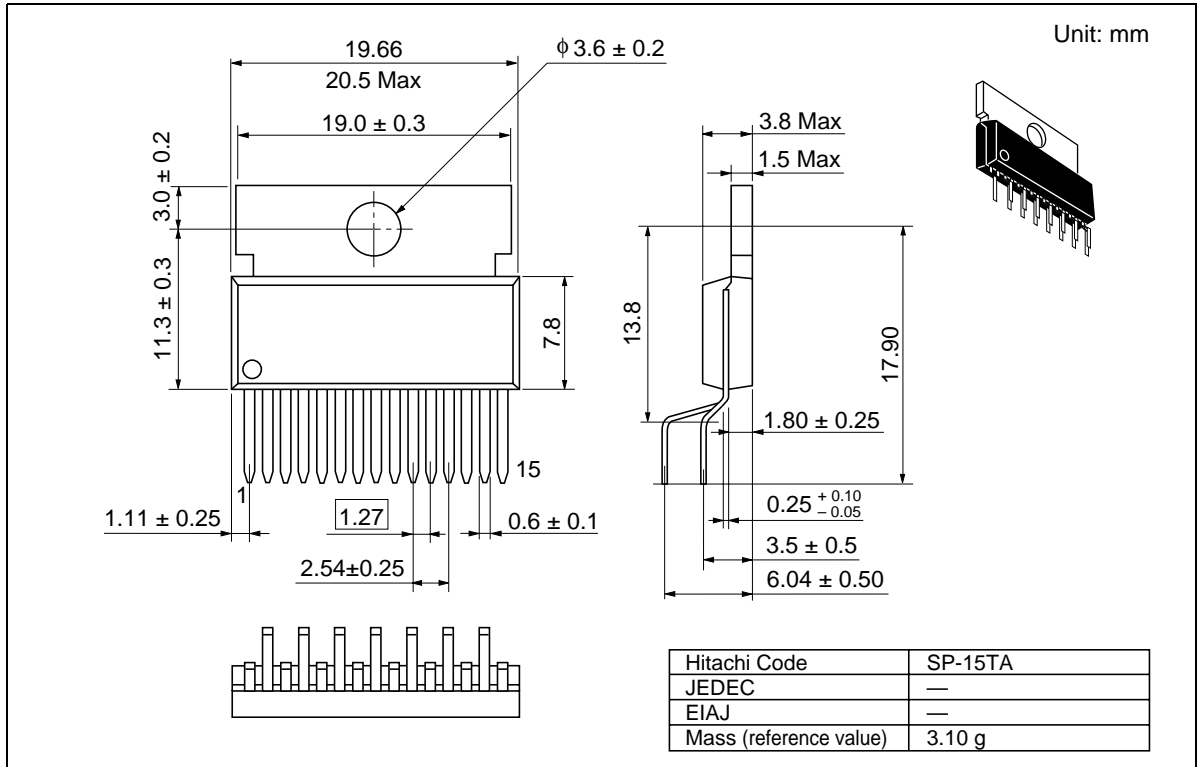


Figure 7 Supply Voltage Rejection Ratio vs. Frequency

Package Dimensions



## Disclaimer

1. Hitachi neither warrants nor grants licenses of any rights of Hitachi's or any third party's patent, copyright, trademark, or other intellectual property rights for information contained in this document. Hitachi bears no responsibility for problems that may arise with third party's rights, including intellectual property rights, in connection with use of the information contained in this document.
2. Products and product specifications may be subject to change without notice. Confirm that you have received the latest product standards or specifications before final design, purchase or use.
3. Hitachi makes every attempt to ensure that its products are of high quality and reliability. However, contact Hitachi's sales office before using the product in an application that demands especially high quality and reliability or where its failure or malfunction may directly threaten human life or cause risk of bodily injury, such as aerospace, aeronautics, nuclear power, combustion control, transportation, traffic, safety equipment or medical equipment for life support.
4. Design your application so that the product is used within the ranges guaranteed by Hitachi particularly for maximum rating, operating supply voltage range, heat radiation characteristics, installation conditions and other characteristics. Hitachi bears no responsibility for failure or damage when used beyond the guaranteed ranges. Even within the guaranteed ranges, consider normally foreseeable failure rates or failure modes in semiconductor devices and employ systemic measures such as fail-safes, so that the equipment incorporating Hitachi product does not cause bodily injury, fire or other consequential damage due to operation of the Hitachi product.
5. This product is not designed to be radiation resistant.
6. No one is permitted to reproduce or duplicate, in any form, the whole or part of this document without written approval from Hitachi.
7. Contact Hitachi's sales office for any questions regarding this document or Hitachi semiconductor products.

## Sales Offices

# HITACHI

### Hitachi, Ltd.

Semiconductor & Integrated Circuits.  
Nippon Bldg., 2-6-2, Ohte-machi, Chiyoda-ku, Tokyo 100-0004, Japan  
Tel: Tokyo (03) 3270-2111 Fax: (03) 3270-5109

URL           NorthAmerica       : <http://semiconductor.hitachi.com/>  
                  Europe                : <http://www.hitachi-eu.com/hel/ecg>  
                  Asia                     : <http://sicapac.hitachi-asia.com>  
                  Japan                    : <http://www.hitachi.co.jp/Sicd/indx.htm>

### For further information write to:

Hitachi Semiconductor  
(America) Inc.  
179 East Tasman Drive,  
San Jose, CA 95134  
Tel: <1>(408) 433-1990  
Fax: <1>(408) 433-0223

Hitachi Europe GmbH  
Electronic Components Group  
Dornacher Straße 3  
D-85622 Feldkirchen, Munich  
Germany  
Tel: <49> (89) 9 9180-0  
Fax: <49> (89) 9 29 30 00  
  
Hitachi Europe Ltd.  
Electronic Components Group.  
Whitebrook Park  
Lower Cookham Road  
Maidenhead  
Berkshire SL6 8YA, United Kingdom  
Tel: <44> (1628) 585000  
Fax: <44> (1628) 585160

Hitachi Asia Ltd.  
Hitachi Tower  
16 Collyer Quay #20-00,  
Singapore 049318  
Tel : <65>-538-6533/538-8577  
Fax : <65>-538-6933/538-3877  
URL : <http://www.hitachi.com.sg>

Hitachi Asia Ltd.  
(Taipei Branch Office)  
4/F, No. 167, Tun Hwa North Road,  
Hung-Kuo Building,  
Taipei (105), Taiwan  
Tel : <886>-(2)-2718-3666  
Fax : <886>-(2)-2718-8180  
Telex : 23222 HAS-TP  
URL : <http://www.hitachi.com.tw>

Hitachi Asia (Hong Kong) Ltd.  
Group III (Electronic Components)  
7/F., North Tower,  
World Finance Centre,  
Harbour City, Canton Road  
Tsim Sha Tsui, Kowloon,  
Hong Kong  
Tel : <852>-(2)-735-9218  
Fax : <852>-(2)-730-0281  
URL : <http://www.hitachi.com.hk>

Copyright © Hitachi, Ltd., 2000. All rights reserved. Printed in Japan.  
Colophon 2.0