

3channel 75 Ω driver

BA7666FS

The BA7666FS is 3channel 75 Ω driver with 6dB amplifier and sag compensator, and available for composite Video, composite Y and so on. This driver can have two loads (75 Ω) and package is small (SSOPA16PIN).

This input is sync-tip-clamp for all 3channel. This has 3channel mute and power save circuits (each channel) operated for making output under 0.2v.

●Features

- 1) Sync-tip-clamp input
- 2) Low power consumption (Typ.117mW)
- 3) Built-in output mute circuit
- 4) Built-in power save circuit
- 5) Built-in output protection circuit
- 6) Can make output coupling capacitor smaller by the built-in sag correction circuit
- 7) Can drive two circuits by one output
- 8) Small package of SSOP-A16 pin

●Applications

Digital audio appliances such as DVD, and STB

●Absolute maximum ratings (Ta = 25°C)

Item	Symbol	Rating	Unit
Supply voltage	V _{CC}	8	V
Allowable loss	P _d	650	mW
Working temperature	T _{opr}	-25 ~ +75	°C
Storage temperature range	T _{stg}	-55 ~ +125	°C

* For operation above 25°C free-air temperature, dissipation deratings is decreasing 6.5mW per 1°C

●Recommendable operating range

Item	Symbol	Min.	Std.	Max.	Unit
Supply voltage range	V _{CC}	4.5	5.0	5.5	V

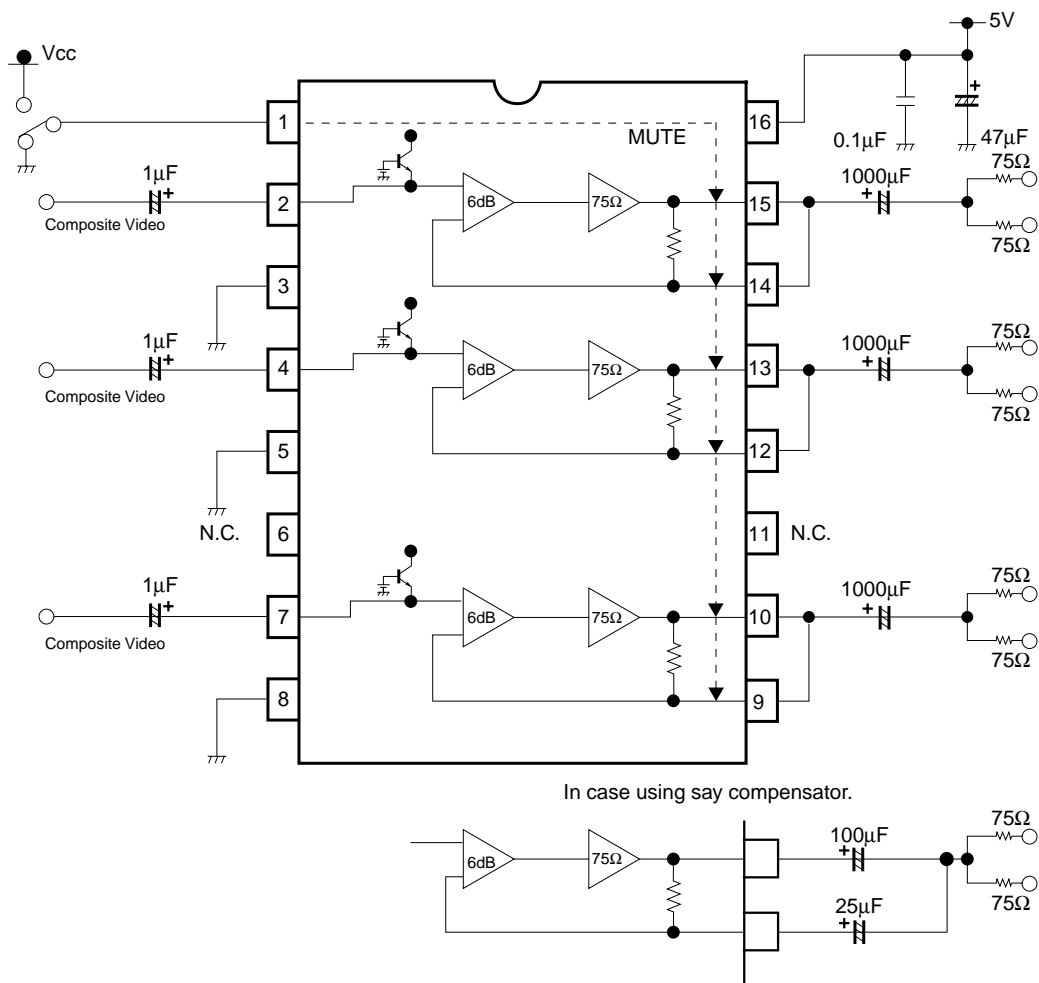
* This product is not designed for protection against radioactive rays.

Multimedia ICs

●Electrical characteristics (Ta = 25°C, Vcc = 5V unless otherwise stated)

Item	Symbol	Standard Value			Unit	Testing Conditions
		Min.	Typ.	Max.		
Circuit current	I _{CC}	11.7	23.4	35.1	mA	No-signal
Maximum output level	V _{Om}	2.6	3.0	–	Vp-p	f=1kHz, The=1%
Voltage gain	G _v	5.5	6.0	6.5	dB	f=4.43MHz, 1Vp-p
Frequency characteristics	G _f	-1.0	0.0	1.0	dB	f=10MHz/1MHz, Vp-p
Channel to Channel crosstalk	C _T	–	-60	–	dB	f=4.43MHz, 1Vp-p
Muting level	M _T	–	-60	–	dB	f=4.43MHz, 1Vp-p
Mute Threshold "H"	V _{THH}	2.5	–	V _{CC}	V	
Mute Threshold "L"	V _{THL}	0	–	1.0	V	
Supply current in Mute	I _{MT}	–	2.0	4.0	mA	

●Application circuit



Notes

- No technical content pages of this document may be reproduced in any form or transmitted by any means without prior permission of ROHM CO.,LTD.
- The contents described herein are subject to change without notice. The specifications for the product described in this document are for reference only. Upon actual use, therefore, please request that specifications to be separately delivered.
- Application circuit diagrams and circuit constants contained herein are shown as examples of standard use and operation. Please pay careful attention to the peripheral conditions when designing circuits and deciding upon circuit constants in the set.
- Any data, including, but not limited to application circuit diagrams information, described herein are intended only as illustrations of such devices and not as the specifications for such devices. ROHM CO.,LTD. disclaims any warranty that any use of such devices shall be free from infringement of any third party's intellectual property rights or other proprietary rights, and further, assumes no liability of whatsoever nature in the event of any such infringement, or arising from or connected with or related to the use of such devices.
- Upon the sale of any such devices, other than for buyer's right to use such devices itself, resell or otherwise dispose of the same, no express or implied right or license to practice or commercially exploit any intellectual property rights or other proprietary rights owned or controlled by
- ROHM CO., LTD. is granted to any such buyer.
- Products listed in this document use silicon as a basic material.
Products listed in this document are no antiradiation design.

The products listed in this document are designed to be used with ordinary electronic equipment or devices (such as audio visual equipment, office-automation equipment, communications devices, electrical appliances and electronic toys).

Should you intend to use these products with equipment or devices which require an extremely high level of reliability and the malfunction of which would directly endanger human life (such as medical instruments, transportation equipment, aerospace machinery, nuclear-reactor controllers, fuel controllers and other safety devices), please be sure to consult with our sales representative in advance.

About Export Control Order in Japan

Products described herein are the objects of controlled goods in Annex 1 (Item 16) of Export Trade Control Order in Japan.

In case of export from Japan, please confirm if it applies to "objective" criteria or an "informed" (by MITI clause) on the basis of "catch all controls for Non-Proliferation of Weapons of Mass Destruction.