

- Structure : Silicon Monolithic Integrated Circuit
- Product name : Triple Circuits Video Signal Switchers
- Type : **BA7627FV**
- Features :
  - 1) Contain three 2-input, 1-output switch circuits
  - 2) Power supply voltage (4.5V~5.5 V)
  - 3) Low power consumption
  - 4) Good frequency characteristics
  - 5) Large dynamic range
  - 6) Bias input one circuit + sync-tip clamp input two circuits
  - 7) Large input impedance (Typ.20k  $\Omega$ )
  - 8) Fast switching speed (Typ. 50ns)

○Absolute Maximum Ratings (Ta=25°C)

| Parameter             | Symbol | Limits   | Unit |
|-----------------------|--------|----------|------|
| Supply voltage        | Vcc    | 9        | V    |
| Power dissipation     | Pd     | 450 *    | mW   |
| Operating temperature | Topr   | -40~+85  | °C   |
| Storage temperature   | Tstg   | -55~+125 | °C   |

\* Deratings is done at 5.0mW/°C above Ta=25°C.

○Operating Range (Ta=25°C)

| Parameter            | Symbol | Min | Typ | Max | Unit |
|----------------------|--------|-----|-----|-----|------|
| Power supply voltage | Vcc    | 4.5 | 5.0 | 5.5 | V    |

\* This product is not designed for protection against radioactive rays.

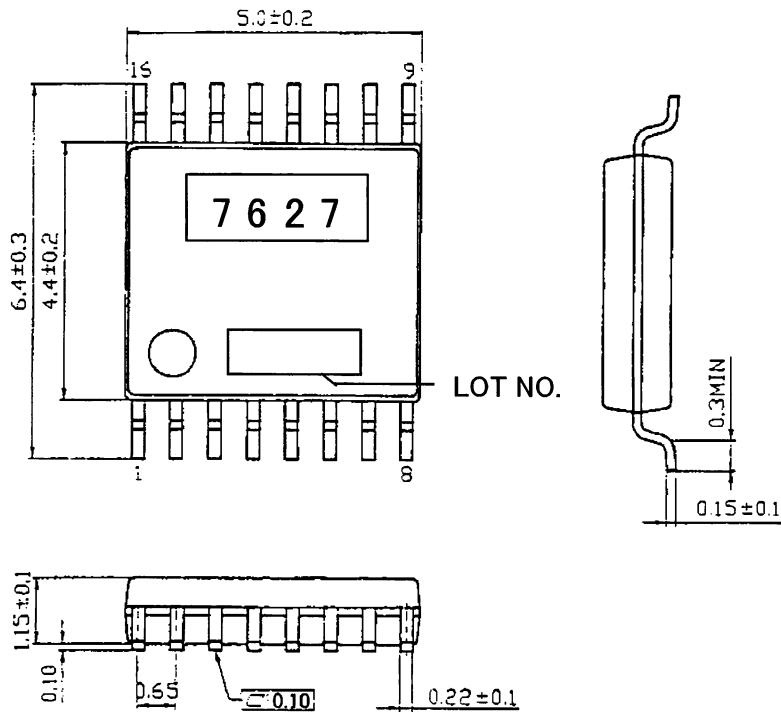
Application example

The product described in this specification is designed to be used with ordinary electronic equipment or devices (such as audio-visual equipment, office-automation equipment, communications devices, electrical appliances, and electronic toys). Should you intend to use this product with equipment or devices which require an extremely high level of reliability and the malfunction of which would directly endanger human life (such as medical instruments, transportation equipment, aerospace machinery, nuclear-reactor controllers, fuel controllers and other safety devices), please be sure to consult with our sales representative in advance.

○Electrical characteristics (Unless otherwise noted, Ta= 25°C, Vcc=5.0V)

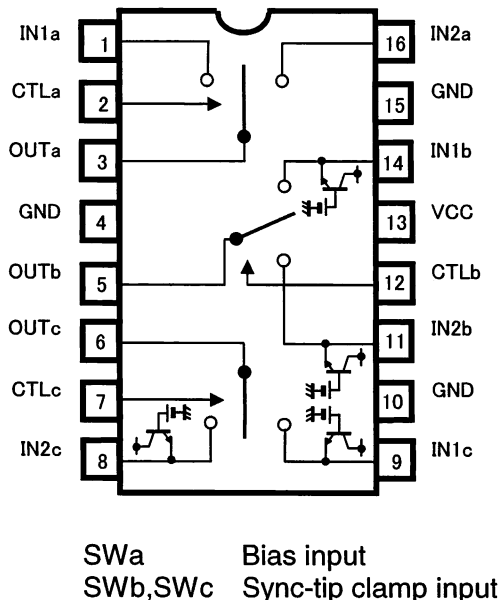
| Parameter                 | Symbol           | Min. | Typ.  | Max. | Unit             | Conditions   |
|---------------------------|------------------|------|-------|------|------------------|--|
| Circuit current           | I <sub>cc</sub>  | -    | 12.5  | 17.0 | mA               |  |
| Maximum output level1     | V <sub>om1</sub> | 2.6  | 2.9   | -    | V <sub>p-p</sub> | f=1kHz, THD=0.5% Clamp input                           |
| Maximum output level2     | V <sub>om2</sub> | 2.7  | 3.0   | -    | V <sub>p-p</sub> | f=1kHz, THD=0.5% Bias input                            |
| Voltage gain              | G <sub>v</sub>   | -0.5 | 0     | 0.5  | dB               | f=1MHz, V <sub>IN</sub> =1 V <sub>P-P</sub>            |
| Interchannel crosstalk    | C <sub>T</sub>   | -    | -65   | -    | dB               | f=4.43MHz, V <sub>IN</sub> =1 V <sub>P-P</sub>         |
| Frequency characteristic  | G <sub>f</sub>   | -1   | 0     | 1    | dB               | 10MHz/1MHz, V <sub>IN</sub> =1 V <sub>P-P</sub>        |
| Input impedance           | Z <sub>in</sub>  | 14   | 20    | 26   | kΩ               | Bias input   |
| Total harmonic distortion | THD              | -    | 0.007 | -    | %                | f=1kHz, V <sub>IN</sub> =1 V <sub>P-P</sub> Bias input |
| CTL pin switching level   | V <sub>TH</sub>  | 2.0  | 2.5   | 3.0  | V                |  |

○Outer dimensions



SSOP-B16 (Unit: mm)

○Block diagram



○Pin number and pin name

| Pin No. | Pin name |
|---------|----------|
| 1       | IN1a     |
| 2       | CTLa     |
| 3       | OUTa     |
| 4       | GND      |
| 5       | OUTb     |
| 6       | OUTc     |
| 7       | CTLc     |
| 8       | IN2c     |
| 9       | IN1c     |
| 10      | GND      |
| 11      | IN2b     |
| 12      | CTLb     |
| 13      | Vcc      |
| 14      | IN1b     |
| 15      | GND      |
| 16      | IN2a     |

○Cautions on use

- 1) Absolute maximum ratings
 

If applied voltage, operating temperature range, or other absolute maximum ratings are exceeded, the LSI may be damaged. Do not apply voltages or temperatures that exceed the absolute maximum ratings. If you think of a case in which absolute maximum ratings are exceeded, enforce fuses or other physical safety measures and investigate how not to apply the conditions under which absolute maximum ratings are exceeded to the LSI.
- 2) GND potential
 

Make the GND pin voltage such that it is the lowest voltage even when operating below it. Actually confirm that the voltage of each pin does not become a lower voltage than the GND pin, including transient phenomena.
- 3) Thermal design
 

Perform thermal design in which there are adequate margins by taking into account the allowable power dissipation in actual states of use.
- 4) Shorts between pins and miss-installation
 

When mounting the LSI on a board, pay adequate attention to orientation and placement discrepancies of the LSI. If it is miss-installed and the power is turned on, the LSI may be damaged. It also may be damaged if it is shorted by a foreign substance coming between pins of the LSI or between a pin and a power supply or a pin and a GND.
- 5) Operation in strong magnetic fields
 

Adequately evaluate use in a strong magnetic field, since there is a possibility of malfunction.

### Notes

- No technical content pages of this document may be reproduced in any form or transmitted by any means without prior permission of ROHM CO.,LTD.
- The contents described herein are subject to change without notice. The specifications for the product described in this document are for reference only. Upon actual use, therefore, please request that specifications to be separately delivered.
- Application circuit diagrams and circuit constants contained herein are shown as examples of standard use and operation. Please pay careful attention to the peripheral conditions when designing circuits and deciding upon circuit constants in the set.
- Any data, including, but not limited to application circuit diagrams information, described herein are intended only as illustrations of such devices and not as the specifications for such devices. ROHM CO.,LTD. disclaims any warranty that any use of such devices shall be free from infringement of any third party's intellectual property rights or other proprietary rights, and further, assumes no liability of whatsoever nature in the event of any such infringement, or arising from or connected with or related to the use of such devices.
- Upon the sale of any such devices, other than for buyer's right to use such devices itself, resell or otherwise dispose of the same, no express or implied right or license to practice or commercially exploit any intellectual property rights or other proprietary rights owned or controlled by
- ROHM CO., LTD. is granted to any such buyer.
- Products listed in this document are no antiradiation design.

The products listed in this document are designed to be used with ordinary electronic equipment or devices (such as audio visual equipment, office-automation equipment, communications devices, electrical appliances and electronic toys).

Should you intend to use these products with equipment or devices which require an extremely high level of reliability and the malfunction of which would directly endanger human life (such as medical instruments, transportation equipment, aerospace machinery, nuclear-reactor controllers, fuel controllers and other safety devices), please be sure to consult with our sales representative in advance.

#### About Export Control Order in Japan

Products described herein are the objects of controlled goods in Annex 1 (Item 16) of Export Trade Control Order in Japan.

In case of export from Japan, please confirm if it applies to "objective" criteria or an "informed" (by MITI clause) on the basis of "catch all controls for Non-Proliferation of Weapons of Mass Destruction.

Thank you for your accessing to ROHM product informations.  
More detail product informations and catalogs are available,  
please contact your nearest sales office.

Please contact our sales offices for details ;

|                         |                           |                            |
|-------------------------|---------------------------|----------------------------|
| U.S.A / San Diego       | TEL : +1(858)625-3630     | FAX : +1(858)625-3670      |
| Atlanta                 | TEL : +1(770)754-5972     | FAX : +1(770)754-0691      |
| Dallas                  | TEL : +1(972)312-8818     | FAX : +1(972)312-0330      |
| Germany / Dusseldorf    | TEL : +49(2154)9210       | FAX : +49(2154)921400      |
| United Kingdom / London | TEL : +44(1)908-282-666   | FAX : +44(1)908-282-528    |
| France / Paris          | TEL : +33(0)1 56 97 30 60 | FAX : +33(0) 1 56 97 30 80 |
| China / Hong Kong       | TEL : +852(2)740-6262     | FAX : +852(2)375-8971      |
| Shanghai                | TEL : +86(21)6279-2727    | FAX : +86(21)6247-2066     |
| Dilian                  | TEL : +86(411)8230-8549   | FAX : +86(411)8230-8537    |
| Beijing                 | TEL : +86(10)8525-2483    | FAX : +86(10)8525-2489     |
| Taiwan / Taipei         | TEL : +866(2)2500-6956    | FAX : +866(2)2503-2869     |
| Korea / Seoul           | TEL : +82(2)8182-700      | FAX : +82(2)8182-715       |
| Singapore               | TEL : +65-6332-2322       | FAX : +65-6332-5662        |
| Malaysia / Kuala Lumpur | TEL : +60(3)7958-8355     | FAX : +60(3)7958-8377      |
| Philippines / Manila    | TEL : +63(2)807-6872      | FAX : +63(2)809-1422       |
| Thailand / Bangkok      | TEL : +66(2)254-4890      | FAX : +66(2)256-6334       |

Japan /  
(Internal Sales)

|          |  |                       |                       |
|----------|--|-----------------------|-----------------------|
| Tokyo    | 2-1-1, Yaesu, Chuo-ku, Tokyo 104-0082  | TEL : +81(3)5203-0321 | FAX : +81(3)5203-0300 |
| Yokohama | 2-4-8, Shin Yokohama, Kohoku-ku, Yokohama, Kanagawa 222-8575                                 | TEL : +81(45)476-2131 | FAX : +81(45)476-2128 |
| Nagoya   | Dainagayo Building 9F 3-28-12, Meieki, Nakamura-ku, Nagoya, Aichi 450-0002                   | TEL : +81(52)581-8521 | FAX : +81(52)561-2173 |
| Kyoto    | 579-32 Higashi Shiokouji-cho, Karasuma Nishi-iru, Shiokoujidori, Shimogyo-ku, Kyoto 600-8216 | TEL : +81(75)311-2121 | FAX : +81(75)314-6559 |

(Contact address for overseas customers in Japan)

|          |                       |                        |
|----------|-----------------------|------------------------|
| Yokohama | TEL : +81(45)476-9270 | FAX : +81(045)476-9271 |
|----------|-----------------------|------------------------|