

# AN6108SA (under development)

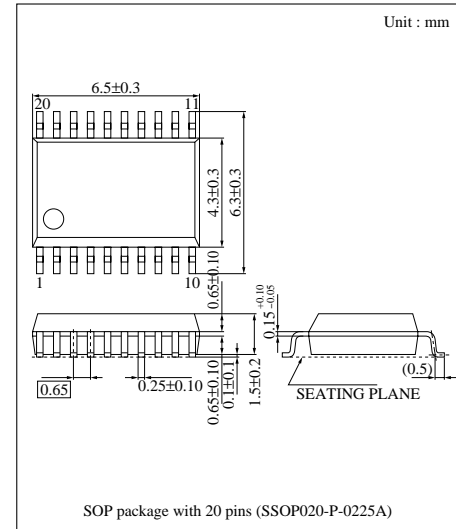
## Digital Communication IF Amplifier IC

### Overview

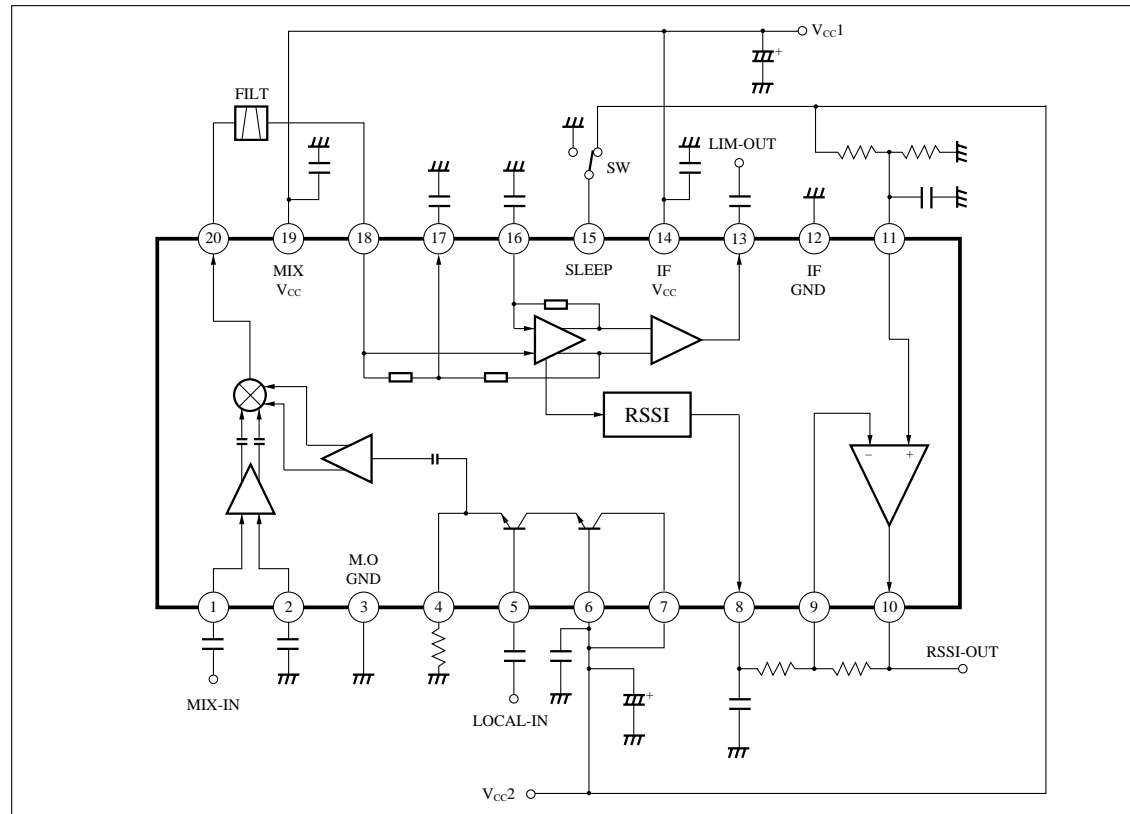
The AN6108SA is an IF amplifier IC for digital communication. It supports mixer input frequencies up to 300 MHz, featuring low current consumption.

### Features

- Operating supply voltage range : 2.7 to 4V
- Current consumption : Typ 8.0 mA during operation, 10  $\mu$ A or less at sleep
- RSSI input D range : 80dB
- Built-in operational amplifier allowing RSSI polarity to be changed.
- Package : SSOP-20D with 0.65 mm pitch



### Block Diagram



## ■ Pin Descriptions

Pin No.	Description	Pin No.	Description
1	MIX-IN	11	OP-POS
2	MIX-DEC	12	GND-IF
3	GND-MIX/OSC	13	LIM-OUT
4	OSC1	14	V <sub>CC</sub> -IF
5	OSC2	15	SLEEP
6	V <sub>CC</sub> -OSC	16	LIM-DEC2
7	OSC-OUT	17	LIM-DEC1
8	RSSI-OUT	18	LIM-IN
9	OP-NEG	19	V <sub>CC</sub> -MIX
10	OP-OUT	20	MIX-OUT