

# AN2546FH-A

## Automotive LCD TV signal processor IC

### ■ Overview

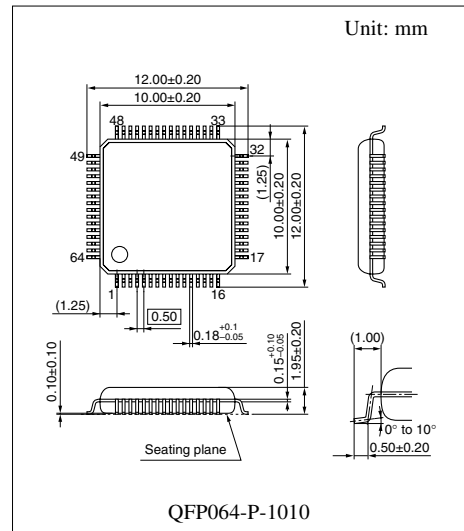
The AN2546FH-A is a video signal processing IC built-in a 5-volt power-supply source driver for TFT color LCD (normally white type), and it supports the NTSC, PAL and PAL-M/PAL-N systems. The main circuitry of this IC includes video-signal processing circuit, color signal processing circuit, interface circuit, synchronizing circuit and many color quality adjusting circuits. This IC converts the composite video signal or separated Y/C signal or RGB signals into RGB signals available for TFT color LCD.

### ■ Features

- Supply voltage: 3 V/5 V/7.5 V
- Built-in a 5-volt power-supply source driver for TFT type LCD
- Low consumption power (typ. 200 mW)
- Supporting the NTSC, PAL, PAL-M and PAL-N systems
- Supporting composite, component and color differential signal input
- Video signal, analog RGB (2 systems)  
One is for OSD (analog/digital).
- Each mode setting is possible with I<sup>2</sup>C Bus control.
- Electronic volume (D/A converter) built in
- Contrast/Brightness/ $\gamma$  correction circuit built in
- Horizontal and vertical display position adjustment are possible by serial control.
- Improvement of weak electric field characteristics (Compared to AN2526FH/AN2526NFH: -5 dB)
- At reverse stop, built-in output gain down function

### ■ Applications

- 4 inches to 7 inches middle size TFT LCD equipment of normally white, of such as an in-car TV and an LCD monitor for car navigation system.



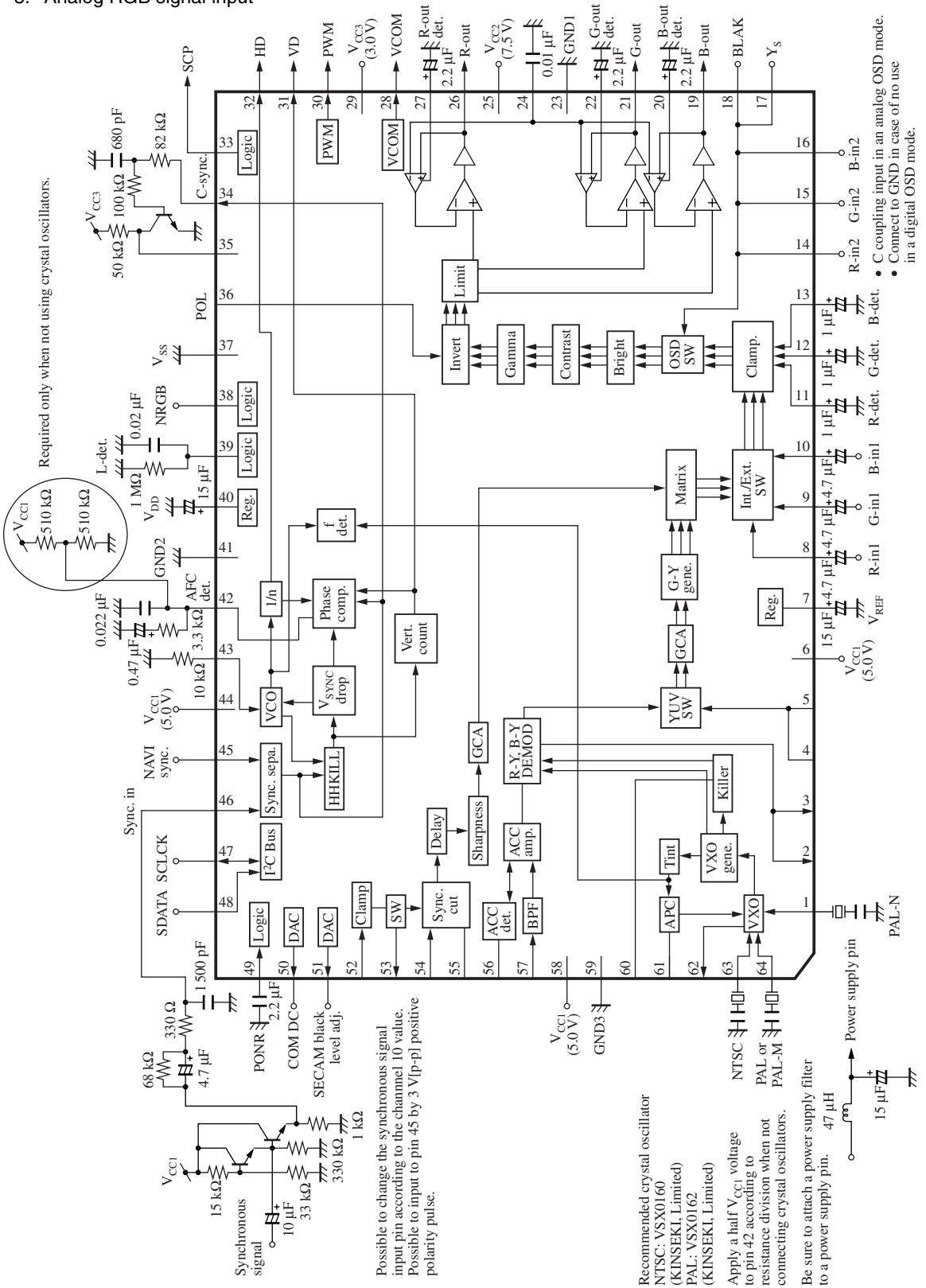
Note) The package of this product will be changed to lead-free type (QFP064-P-1010A). See the new package dimensions section later of this datasheet.





Application Circuit Examples (continued)

3. Analog RGB signal input



## ■ Pin Descriptions

Pin No.	Description	Pin No.	Description
1	Crystal oscillator connecting pin 3 (PAL-N)	33	Sand castle pulse output pin
2	R-Y output pin	34	Composite synchronous signal output pin
3	B-Y output pin	35	Vertical synchronous signal input pin
4	R-Y input pin	36	1H reverse signal input pin
5	B-Y input pin	37	Clock-system GND ( $V_{SS}$ )
6	Signal processing system power supply ( $V_{CC1} = 5.0\text{ V}$ )	38	Analog imposing control signal input pin
		39	Horizontal clock detection pin
7	Internal reference power supply detection pin (2.0 V)	40	Clock-system power supply (3.0 V)
		41	GND 2
8	R-ch. analog signal input pin	42	AFC loop filter connecting pin
9	G-ch. analog signal input pin	43	VCO frequency adjustment pin
10	B-ch. analog signal input pin	44	Synchronous system power supply ( $V_{CC1} = 5.0\text{ V}$ )
11	R-ch. clamp detection pin		
12	G-ch. clamp detection pin	45	NAVI signal synchronous signal input pin
13	B-ch. clamp detection pin	46	Synchronous signal input pin
14	R-ch. OSD input pin	47	Serial data shift clock input pin
15	G-ch. OSD input pin	48	Serial data input pin
16	B-ch. OSD input pin	49	Power-on reset detection pin
17	Character picking up pulse input pin	50	Common DC adjustment voltage output pin
18	Side black control signal input pin	51	DAC output pin
19	B-ch. output pin	52	Luminance signal input pin
20	B-ch. output DC feedback detection pin	53	Chrominance signal trap filter connection pin 1
21	G-ch. output pin	54	Chrominance signal trap filter connection pin 2
22	G-ch. output DC feedback detection pin	55	Y-system clamp detection pin
23	GND 1	56	ACC detection pin
24	Drive output reference voltage input pin	57	Chrominance signal input pin
25	Drive system power supply ( $V_{CC2} = 7.5\text{ V}$ )	58	Chrominance processing system power supply ( $V_{CC1} = 5.0\text{ V}$ )
26	R-ch. output pin		
27	R-ch. output DC feedback detection pin	59	GND 3
28	Common reverse signal output pin	60	Chrominance killer detection pin
29	Pulse output system power supply ( $V_{CC3} = 3.0\text{ V}$ )	61	APC detection pin
		62	Subcarrier output pin
30	PWM output pin	63	Crystal oscillator connecting pin 1 (NTSC)
31	Vertical synchronous signal output pin	64	Crystal oscillator connecting pin 2 (PAL/PAL-M)
32	Horizontal synchronous signal output pin		

### ■ Absolute Maximum Ratings

Parameter	Symbol	Rating	Unit
Supply voltage	$V_{CC1}$	5.5	V
	$V_{CC2}$	8.5	
	$V_{CC3}$	5.2	
Supply current	$I_{CC}$	—	mA
Power dissipation *2	$P_D$	423	mW
Operating ambient temperature *1	$T_{opr}$	-30 to +85	°C
Storage temperature *1	$T_{stg}$	-55 to +150	°C

Note) \*1: Except for the operating ambient temperature and storage temperature, all ratings are for  $T_a = 25^\circ\text{C}$ .

\*2: The power dissipation shown is the value in free air for  $T_{opr} = 85^\circ\text{C}$ .

### ■ Recommended Operating Range

Parameter	Symbol	Range	Unit
Supply voltage	$V_{CC1}$	4.7 to 5.3	V
	$V_{CC2}$	7.0 to 8.0	
	$V_{CC3}$	2.7 to 3.3	

### ■ Electrical Characteristics at $T_a = 25^\circ\text{C}$

Parameter	Symbol	Conditions	Min	Typ	Max	Unit
DC						
$V_{CC1}$ -system current consumption	$I_{TOTAL1}$	Refer to product standards	32	—	44	mA
$V_{CC2}$ -system current consumption	$I_{TOTAL2}$	Refer to product standards	1.0	—	9.0	mA
$V_{CC3}$ -system current consumption	$I_{TOTAL3}$	Refer to product standards	—	—	2.0	mA
Chrominance system						
R-Y standard gain	$G_{RY}$	Refer to product standards	9.0	—	15	dB
R-Y/G-Y relative gain	$G_{RYGY}$	Refer to product standards	-5.0	—	-1.0	dB
B-Y standard gain	$G_{BY}$	Refer to product standards	9.0	—	15	dB
B-Y/G-Y relative gain	$G_{BYGY}$	Refer to product standards	-15	—	-9.0	dB
High-level APC pull-in	$AP_H$	Refer to product standards	500	—	540	Hz
Low-level APC pull-in	$AP_L$	Refer to product standards	-540	—	-500	Hz
ACC output characteristic 1	$G_{ACC1}$	Refer to product standards	-1.0	—	1.0	dB
ACC output characteristic 2	$G_{ACC2}$	Refer to product standards	-1.0	—	1.0	dB
Chrominance killer characteristic 1	$V_{KILL1}$	Refer to product standards	400	—	—	mV[p-p]
Chrominance killer characteristic 2	$V_{KILL2}$	Refer to product standards	—	—	600	mV[p-p]
Subcarrier amplitude	SCV	Refer to product standards	400	—	—	mV[p-p]
Y-system						
Sharpness control characteristic	$G_{SH}$	Refer to product standards	1.0	—	—	dB
Sharpness frequency characteristic 1	$f_{SH1}$	Refer to product standards	4.0	—	—	dB
R-ch. contrast adjustment range 1	$CTR_{R1}$	Refer to product standards	1.5	—	—	dB

**■ Electrical Characteristics at  $T_a = 25^\circ\text{C}$  (continued)**

Parameter	Symbol	Conditions	Min	Typ	Max	Unit
Y-system (continued)						
G-ch. contrast adjustment range 1	$CTR_{G1}$	Refer to product standards	1.5	—	—	dB
B-ch. contrast adjustment range 1	$CTR_{B1}$	Refer to product standards	1.5	—	—	dB
R-ch. contrast adjustment range 2	$CTR_{R2}$	Refer to product standards	—	—	-2.5	dB
G-ch. contrast adjustment range 2	$CTR_{G2}$	Refer to product standards	—	—	-2.5	dB
B-ch. contrast adjustment range 2	$CTR_{B2}$	Refer to product standards	—	—	-2.5	dB
R-ch. pedestal amplitude minimum	$V_{PEDRmin}$	Refer to product standards	—	—	2.0	V[p-p]
G-ch. pedestal amplitude minimum	$V_{PEDGmin}$	Refer to product standards	—	—	2.0	V[p-p]
B-ch. pedestal amplitude minimum	$V_{PEDBmin}$	Refer to product standards	—	—	2.0	V[p-p]
R-ch. pedestal amplitude maximum	$V_{PEDRmax}$	Refer to product standards	3.0	—	—	V[p-p]
G-ch. pedestal amplitude maximum	$V_{PEDGmax}$	Refer to product standards	3.0	—	—	V[p-p]
B-ch. pedestal amplitude maximum	$V_{PEDBmax}$	Refer to product standards	3.0	—	—	V[p-p]
G-ch. output DC voltage	$V_{GDC}$	Refer to product standards	2.35	—	2.85	V[p-p]
R-ch. gamma characteristic 1	$G_{GAMR1}$	Refer to product standards	-9.0	—	-3.0	dB
G-ch. gamma characteristic 1	$G_{GAMG1}$	Refer to product standards	-9.0	—	-3.0	dB
B-ch. gamma characteristic 1	$G_{GAMB1}$	Refer to product standards	-9.0	—	-3.0	dB
R-ch. gamma characteristic 2	$G_{GAMR2}$	Refer to product standards	-8.0	—	—	dB
G-ch. gamma characteristic 2	$G_{GAMG2}$	Refer to product standards	-8.0	—	—	dB
B-ch. gamma characteristic 2	$G_{GAMB2}$	Refer to product standards	-8.0	—	—	dB
R-ch. gamma characteristic 3	$G_{GAMR3}$	Refer to product standards	-5.0	—	0	dB
G-ch. gamma characteristic 3	$G_{GAMG3}$	Refer to product standards	-5.0	—	0	dB
B-ch. gamma characteristic 3	$G_{GAMB3}$	Refer to product standards	-5.0	—	0	dB
R-ch. white limiter high-level	$V_{WRRH}$	Refer to product standards	—	—	3.0	V[p-p]
G-ch. white limiter high-level	$V_{WRGH}$	Refer to product standards	—	—	3.0	V[p-p]
B-ch. white limiter high-level	$V_{WRBH}$	Refer to product standards	—	—	3.0	V[p-p]
R-ch. white limiter low-level	$V_{WRRL}$	Refer to product standards	3.2	—	—	V[p-p]
G-ch. white limiter low-level	$V_{WRGL}$	Refer to product standards	3.2	—	—	V[p-p]
B-ch. white limiter low-level	$V_{WRBL}$	Refer to product standards	3.2	—	—	V[p-p]
R-ch. black limiter low-level	$V_{BRRL}$	Refer to product standards	3.0	—	—	V
G-ch. black limiter low-level	$V_{BRGL}$	Refer to product standards	3.0	—	—	V
B-ch. black limiter low-level	$V_{BRBL}$	Refer to product standards	3.0	—	—	V
R-ch. black limiter high-level	$V_{BRRH}$	Refer to product standards	—	—	2.7	V
G-ch. black limiter high-level	$V_{BRGH}$	Refer to product standards	—	—	2.7	V
B-ch. black limiter high-level	$V_{BRBH}$	Refer to product standards	—	—	2.7	V
R-ch. $Y_S$ threshold 1	$V_{tYSR1}$	Refer to product standards	0.8	—	—	V[p-p]
G-ch. $Y_S$ threshold 1	$V_{tYSG1}$	Refer to product standards	0.8	—	—	V[p-p]
B-ch. $Y_S$ threshold 1	$V_{tYSB1}$	Refer to product standards	0.8	—	—	V[p-p]

**■ Electrical Characteristics at  $T_a = 25^\circ\text{C}$  (continued)**

Parameter	Symbol	Conditions	Min	Typ	Max	Unit
Y-system (continued)						
R-ch. $Y_S$ threshold 2	$V_{IYSR2}$	Refer to product standards	—	—	0.5	V[p-p]
G-ch. $Y_S$ threshold 2	$V_{IYSG2}$	Refer to product standards	—	—	0.5	V[p-p]
B-ch. $Y_S$ threshold 2	$V_{IYSB2}$	Refer to product standards	—	—	0.5	V[p-p]
R-ch. black level	$CHR_{RB}$	Refer to product standards	-1.0	—	1.0	V
G-ch. black level	$CHR_{GB}$	Refer to product standards	-1.0	—	1.0	V
B-ch. black level	$CHR_{BB}$	Refer to product standards	-1.0	—	1.0	V
R-ch. black level width	$WCHR_{RB}$	Refer to product standards	2.0	—	4.0	$\mu\text{s}$
G-ch. black level width	$WCHR_{GB}$	Refer to product standards	2.0	—	4.0	$\mu\text{s}$
B-ch. black level width	$WCHR_{BB}$	Refer to product standards	2.0	—	4.0	$\mu\text{s}$
R-ch. CHR threshold 1	$V_{ICHR1}$	Refer to product standards	1.5	—	—	V[p-p]
G-ch. CHR threshold 1	$V_{ICHG1}$	Refer to product standards	1.5	—	—	V[p-p]
B-ch. CHR threshold 1	$V_{ICHB1}$	Refer to product standards	1.5	—	—	V[p-p]
R-ch. CHR threshold 2	$V_{ICHR2}$	Refer to product standards	3.0	—	—	V[p-p]
G-ch. CHR threshold 2	$V_{ICHG2}$	Refer to product standards	3.0	—	—	V[p-p]
B-ch. CHR threshold 2	$V_{ICHB2}$	Refer to product standards	3.0	—	—	V[p-p]
R-ch. white level	$CHR_{RW}$	Refer to product standards	2.0	—	—	V[p-p]
G-ch. white level	$CHR_{GW}$	Refer to product standards	2.0	—	—	V[p-p]
B-ch. white level	$CHR_{BW}$	Refer to product standards	2.0	—	—	V[p-p]
R-ch. white level width	$WCHR_{RW}$	Refer to product standards	2.0	—	4.0	$\mu\text{s}$
G-ch. white level width	$WCHR_{GW}$	Refer to product standards	2.0	—	4.0	$\mu\text{s}$
B-ch. white level width	$WCHR_{BW}$	Refer to product standards	2.0	—	4.0	$\mu\text{s}$
R-ch. RGB2 relative amplitude	$V_{RGB2R}$	Refer to product standards	-0.45	—	0.45	V[p-p]
B-ch. RGB2 relative amplitude	$V_{RGB2B}$	Refer to product standards	-0.45	—	0.45	V[p-p]
Synchronous system						
Horizontal sync. pulse low-level	$V_{HDL}$	Refer to product standards	—	—	0.4	V
Horizontal sync. pulse amplitude	$V_{HD}$	Refer to product standards	2.4	—	—	V[p-p]
Horizontal sync. pulse width	$t_{HD}$	Refer to product standards	3.6	—	6.0	$\mu\text{s}$
Vertical sync. pulse low-level	$V_{VDL}$	Refer to product standards	—	—	0.4	V
Vertical sync. pulse amplitude	$V_{VD}$	Refer to product standards	2.4	—	—	V[p-p]
Horizontal sync. separation pulse high-level	$V_{HSSH}$	SG2 (NTSC)	2.4	—	—	V
Horizontal sync. separation pulse amplitude	$V_{HSS}$	SG2 (NTSC)	2.4	—	—	V[p-p]
Horizontal sync. separation pulse width	$t_{HSS}$	SG2 (NTSC)	3.6	—	6.0	$\mu\text{s}$



Terminal Equivalent Circuits

Pin No.	Equivalent circuit	Description	Voltage · Waveform
1		<p>VXO3: PAL-N crystal oscillator connecting pin</p> <p>Use the capacitor with temperature characteristics (N750) to connect to the crystal oscillator.</p>	—
2		<p>R-Y out: Output pin of R-Y signal demodulated from video signal</p>	<p>R-Y signal</p>
3		<p>B-Y out: Output pin of B-Y signal demodulated from video signal</p>	<p>B-Y signal</p>
4		<p>R-Y in: R-Y signal input pin in a color difference mode and in the standard PAL</p>	<p>R-Y signal</p>

■ Terminal Equivalent Circuits (continued)

Pin No.	Equivalent circuit	Description	Voltage · Waveform
5		<p>B-Y in: B-Y signal input pin in a color difference mode and in the standard PAL</p>	<p>B-Y signal</p>
6		<p>V<sub>CC1</sub>: Drive block 5.0 V-system power supply pin</p>	—
7		<p>V<sub>REF</sub>: Reference voltage output pin 2.0 V typ.</p>	—
8		<p>R-in 1: Analog R signal input</p>	<p>Analog R signal</p>
9		<p>G-in 1: Analog G signal input</p>	<p>Analog G signal</p>

■ Terminal Equivalent Circuits (continued)

Pin No.	Equivalent circuit	Description	Voltage · Waveform
10		B-in 1: Analog B signal input	Analog B signal 
11		R-ch. det.: R-ch. clamping capacitor coupling pin	—
12		G-ch. det.: G-ch. clamping capacitor coupling pin	—
13		B-ch. det.: B-ch. clamping capacitor coupling pin	—

Terminal Equivalent Circuits (continued)

Pin No.	Equivalent circuit	Description	Voltage · Waveform
14		<p>R-in 2: Character insertion signal input for R-ch., supporting analog and digital OSD</p>	<p>Analog OSD 0.7 V [p-p] typ.</p> <p>Digital OSD V<sub>DD</sub> GND</p>
15		<p>G-in 2: Character insertion signal input for G-ch., supporting analog and digital OSD</p>	<p>Analog OSD 0.7 V [p-p] typ.</p> <p>Digital OSD V<sub>DD</sub> GND</p>
16		<p>B-in 2: Character insertion signal input for B-ch., supporting analog and digital OSD</p>	<p>Analog OSD 0.7 V [p-p] typ.</p> <p>Digital OSD V<sub>DD</sub> GND</p>
17		<p>Y<sub>s</sub>: Character picking up signal input</p>	<p>V<sub>DD</sub> GND</p>
18		<p>BLAK: Black level indication control signal input pin</p>	<p>V<sub>DD</sub> GND</p>

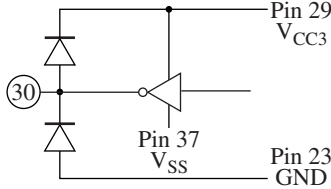
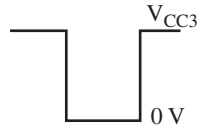
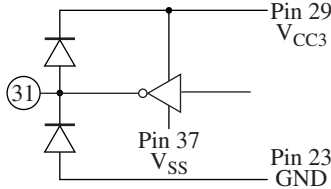

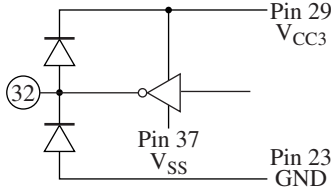
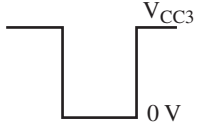
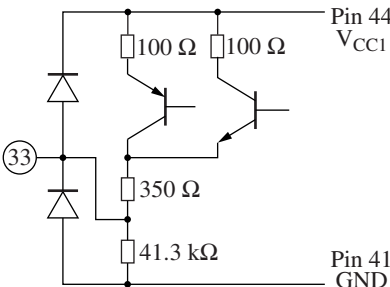
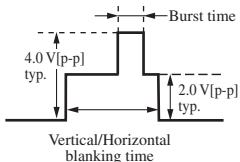
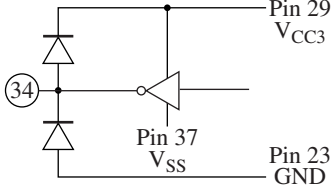
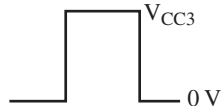
■ Terminal Equivalent Circuits (continued)

Pin No.	Equivalent circuit	Description	Voltage · Waveform
19		B-out: B signal output pin	
20		B-ch. AVE det.: B-ch. output DC feedback detection pin	—
21		G-out: G signal output pin	
22		G-ch. AVE det.: G-ch. output DC feedback detection pin	—
23	—	GND 1: Drive circuits system GND	—

■ Terminal Equivalent Circuits (continued)

Pin No.	Equivalent circuit	Description	Voltage · Waveform
24		<p>AVE: R,G,B output DC reference voltage pin</p>	—
25	—	<p>V<sub>CC2</sub>: 7.5 V system power supply</p>	—
26		<p>R-out: R signal output pin</p>	
27		<p>R-ch. AVE det.: R-ch. output DC feedback detection pin</p>	—
28		<p>Common out: Voltage output pin for common. Output impedance; Approx. 150 Ω</p>	

■ Terminal Equivalent Circuits (continued)

Pin No.	Equivalent circuit	Description	Voltage · Waveform
29	—	V <sub>CC3</sub> : Logic output circuits system power supply 3.0 V typ.	—
30		PWM: PWM signal output pin	Output waveform 
31		VD: Vertical synchronous signal output pin	Output waveform 
32		HD: Horizontal synchronous sig- nal output pin	Output waveform 
33		SCP out: Sand castle pulse output pin	
34		HSS: Composite synchronous sig- nal output pin	Output waveform 

■ Terminal Equivalent Circuits (continued)

Pin No.	Equivalent circuit	Description	Voltage · Waveform
35		VDB in: Vertical synchronous pulse input pin	High or Low
36		Ext. pol.: 1H reverse signal input pin	High or Low
37	—	V <sub>SS</sub> : MOS system GND	—
38		PRGB: Analog OSD signal input Mode start-up signal input pin Valid only in the analog OSD mode High = Analog OSD start up	High or Low
39		LDET: Capacitor coupling pin for the horizontal unlock detecting circuit	—
40	—	V <sub>DD</sub> : Capacitor connection pin for MOS part power supply 3.0 V typ.	—
41	—	GND 2: Pulse system GND	—
42		AFC det.: AFC filter connecting pin Input impedance; 100 kΩ or more	



■ Terminal Equivalent Circuits (continued)

Pin No.	Equivalent circuit	Description	Voltage · Waveform
43		<p>H f<sub>O</sub>: VCO oscillation frequency adjusting resistor connection pin</p>	—
44	—	<p>V<sub>CC1</sub>: Pulse system power supply 5.0 V</p>	—
45		<p>NAVI sync-in: Synchronous signal input pin for the signal of car naviga- tion system Negative polarity input</p>	
46		<p>HSS in: Sync. signal input pin Separates a sync. signal from luminance signal (video sig- nal)</p>	<p>Input signal example: Video signal</p>
47		<p>SCLK: Serial clock input pin</p>	
48		<p>DAT: Serial data input pin</p>	

■ Terminal Equivalent Circuits (continued)

Pin No.	Equivalent circuit	Description	Voltage · Waveform
49		RST: Capacitor coupling pin for power-on reset	—
50		Com. DC: DC voltage output pin	DC
51		DAC-out: DC voltage output pin	DC
52		Y-in: Luminance signal input pin Input luminance signal (video signal)	Input signal example: Video signal 
53		Trap-out: Trap connecting pin Trapping a chrominance signal by connecting external inductor and capacitor. Not necessary in case that an input signal is a component.	—

■ Terminal Equivalent Circuits (continued)

Pin No.	Equivalent circuit	Description	Voltage · Waveform
54		Trap-in: Trap connecting pin The pair with pin 53	—
55		Y-det.: Capacitor coupling pin for luminance signal clamping	—
56		ACC det.: ACC capacitor connecting pin, adjusting the amplitude of a burst signal automati- cally	—
57		C-in: Chrominance signal input pin Input chrominance signal (video signal)	Input signal example: Video signal 
58	—	V <sub>CC1</sub> : Power supply 5.0 V typ. Chrominance and luminance signal processing system.	—
59	—	GND 3: GND for chrominance and lum- inance signal processing system	—

■ Terminal Equivalent Circuits (continued)

Pin No.	Equivalent circuit	Description	Voltage · Waveform
60		<p>Kill det.: Killer capacitor coupling pin</p> <p>To prevent degradation of image in a small amplitude of a burst signal, this pin stops a chrominance signal and the mode changes to black and white mode.</p>	—
61		<p>APC det.: APC capacitor coupling pin</p> <p>Matching the phase of a crystal oscillation to that of burst signal</p>	—
62		<p>SCP out: Subcarrier pulse output pin</p>	<p>NTSC 3.58 MHz PAL 4.43 MHz</p>
63		<p>VXO1: NTSC crystal oscillator connecting pin</p> <p>Use the capacitor with temperature characteristics (N750) to connect to the crystal oscillator.</p>	—

■ Terminal Equivalent Circuits (continued)

Pin No.	Equivalent circuit	Description	Voltage · Waveform
64		<p>VXO2: PAL and PAL-M crystal oscillator connecting pin</p> <p>Use the capacitor with temperature characteristics (N750) to connect to the crystal oscillator.</p>	—

■ Usage Notes

- The supply voltage applied to pin 6, pin 25, pin 29, pin 44, and pin 58 must be brought up at the same time.
- The crystal oscillator must be evaluated thoroughly, because chrominance signal processing system characteristics change by the crystal oscillator type.
- The conversion of the analog RGB signals and the analog OSD signals with synchronous signals is not supported.
- Input the analog RGB signals and the analog OSD signals after filtering the pedestal parts of these signals.
- Evaluated thoroughly on the application of this device in PAL.

■ Technical Data

1. Serial interface description

1) I<sup>2</sup>C bus control mode

A serial data is capable of transferring 9-bit unit of 8-bit transfer data and 1-bit answering data using two kinds of signal lines of data and shift clock.

When a slave address after setting a start condition matches the address on the IC side, you can receive the data to be transmitted from then. Once the stop condition is set up, the next transmitting data will be ignored until the start condition is set up.

There are two kinds of transfer mode: an auto-increment mode which does not transmit subaddress, and data upgrade mode which transmits subaddress + data by 2 bytes.

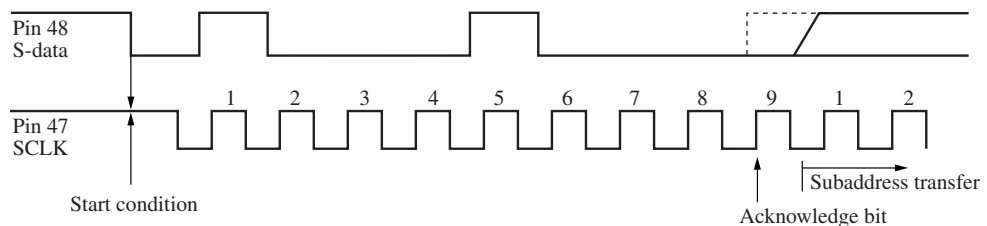
The typical models of communication sequence are shown below:

(1) Start condition

When the S-data changes from high level to low level at SCLK = high level, a data receiving mode becomes available.

(2) Slave address transfer

The slave address of the AN2546FH-A is 88h.



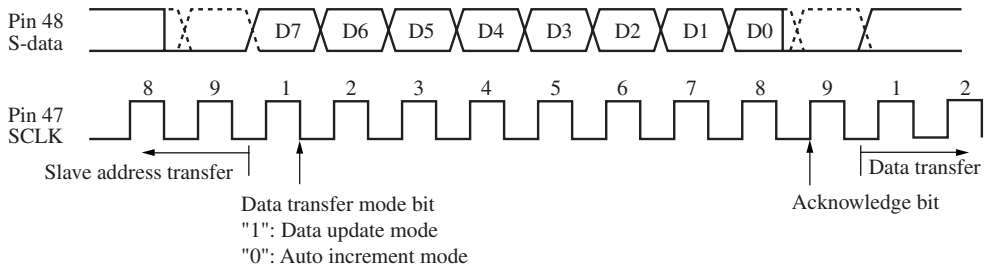
## ■ Technical Data (continued)

### 1. Serial interface description (continued)

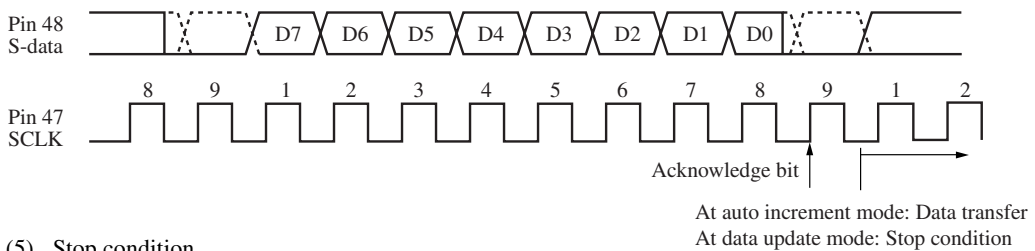
#### 1) I<sup>2</sup>C bus control mode (continued)

##### (3) Subaddress transfer

When a data transfer mode bit is 0, all the serial data columns transferred until a stop condition is set is regarded as the data block.



##### (4) Data transfer

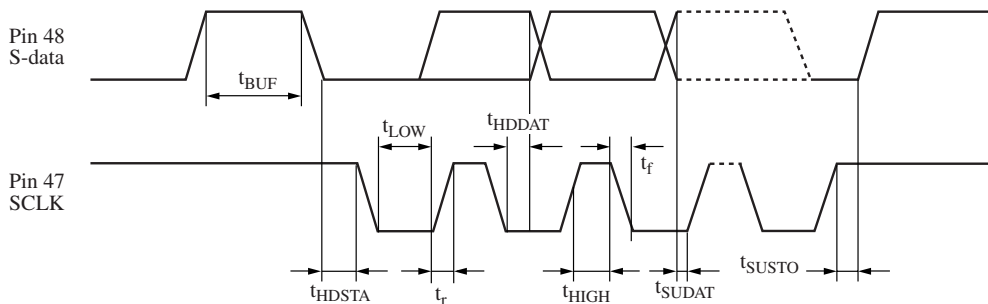


##### (5) Stop condition

When S-data changes from low level to high level at SCLK = high level, data reception is halted.

##### (6) Pulse timing

Timing chart expanded diagram



Parameter	Symbol	Min	Typ	Max	Unit
SCLK clock frequency	$t_{SCL}$	0	—	400	kHz
Bus free-time for stop condition and start condition	$t_{BUF}$	1.3	—	—	$\mu$ s
Hold time start condition	$t_{HDSTA}$	0.6	—	—	$\mu$ s
SCLK clock low-state hold time	$t_{LOW}$	1.3	—	—	$\mu$ s
SCLK clock high-state hold time	$t_{HIGH}$	0.6	—	—	$\mu$ s
Data hold time	$t_{HDDAT}$	0	—	—	$\mu$ s
Data setup time	$t_{SUDAT}$	100	—	—	ns
S-data and SCLK signal rise time	$t_r$	—	—	300	ns
S-data and SCLK signal fall time	$t_f$	—	—	300	ns
Stop condition setup time	$t_{SUSto}$	0.6	—	—	$\mu$ s

## ■ Technical Data (continued)

### 1. Serial interface description (continued)

#### 2) Mode setting channel bits table

ch.	Sub-address	Initial value (HEX)	D7	D6	D5	D4	D3	D2	D1	D0
1	01	80	← Common amplitude →							
2	02	80	← Luminance gain →							
3	03	80	← Color gain →							
4	04	80	← Hue →							
5	05	40	HGA	← Black limiter →						
6	06	80	← Brightness →							
7	07	80	DBOSC	← Aperture →						
8	08	80	← R-ch. sub-brightness →							
9	09	80	← B-ch. sub-brightness →							
10	0A	C0	DCLP	← White peak limiter →						
11	0B	80	← Gamma 1 →							
12	0C	80	← Gamma 2 →							
13	0D	80	← Contrast →							
14	0E	80	← R-ch. sub-contrast →							
15	0F	80	← B-ch. sub-contrast →							
16	10	80	← VCO free-run *1 →							
17	11	03	DFVD	DFSC	DPALM	DPALN	DSECAM	DVMODE	DUV	DCINT
18	12	00	MACRON	← PLL stop position adjustment →				← Vertical position adjustment →		
19	13	80	HOSEI	PWMT4	KOTEI	← Horizontal position adjustment →				
20	14	80	← PWM frequency adjustment →			BLAK	← Burst cleaning pulse position adjustment →			
21	15	80	← PWM duty →							
22	16	7F	EXTTEST	DHTS	EXCHF1	POLSW	DMOSD	DSC	DCPS	DQPAL
23	17	80	← Common DC *2 →							
24	18	80	← DC output adjustment →							

Note) \*1: VCO free-run adjustment; ch.23 = 02h or more, EXTTEST = High

\*2: 00h, 01h are prohibition of use because of test mode.

## ■ Technical Data (continued)

### 1. Serial interface description (continued)

#### 2) Mode setting channel bits table (continued)

##### (1) ch.5: Black limiter adjustment

Sub-address	D7 HGA	D6	D5	D4	D3	D2	D1	D0
05	0	Output gain down mode						
	1	Gain mode						

##### (2) ch.7: Aperture adjustment

Sub-address	D7 DCLP	D6	D5	D4	D3	D2	D1	D0
07	0	VD free-run: NTSC = 265H, PAL = 315H						
	1	VD free-run : NTSC = 263H, PAL = 313H						

##### (3) ch.10: White peak limiter adjustment

Sub-address	D7 DCLP	D6	D5	D4	D3	D2	D1	D0
0A	0	NAVI sync. mode (Pin 45)						
	1	Video sync. mode (Pin 46)						

##### (4) ch.17: Mode setup 1

Sub-address	D7	D6	D5	D4	D3	D2	D1	D0
11	DFVD	DFSC	DPALM	DPALN	DSECAM	DVMODE	DUV	DCINT

Mode	Function	
DFVD	0	VD cycle: 60 Hz
	1	VD cycle: 50 Hz
DFSC	0	Subcarrier: 3.58 MHz
	1	Subcarrier: 4.43 MHz
DPALM	High = PALM mode on	
DPALN	High = PALN mode on	
DSECAM	High = SECAM mode on	
DVMODE	High = Burst swing off	
DUV	0	Chrominance input
	1	Color difference signal input
DCINT	0	RGB signal input
	1	Video signal input

- at NTSC selection  
DFVD/DFSC/DPALM/DPALN/DSECAM = Low  
DVMODE = High
- at PAL selection  
DFVD/DFSC = High  
DPALM/DPALN/DSECAM/DVMODE = Low
- at PALM selection  
DPALM/DFVD = High  
DPALN/DSECAM/DVMODE = Low
- at PALN selection  
DPALN = High  
DPALM/DSECAM/DVMODE/DFVD = Low

##### (5) ch.18: PLL stop position and vertical sync. output position adjustment

Sub-address	D7 MACRON	D6	D5	D4	D3	D2	D1	D0
		PLL stop position adjustment				Vertical position adjustment		
12	0	AFC normal operation						
	1	Copy guard signal correspondence						



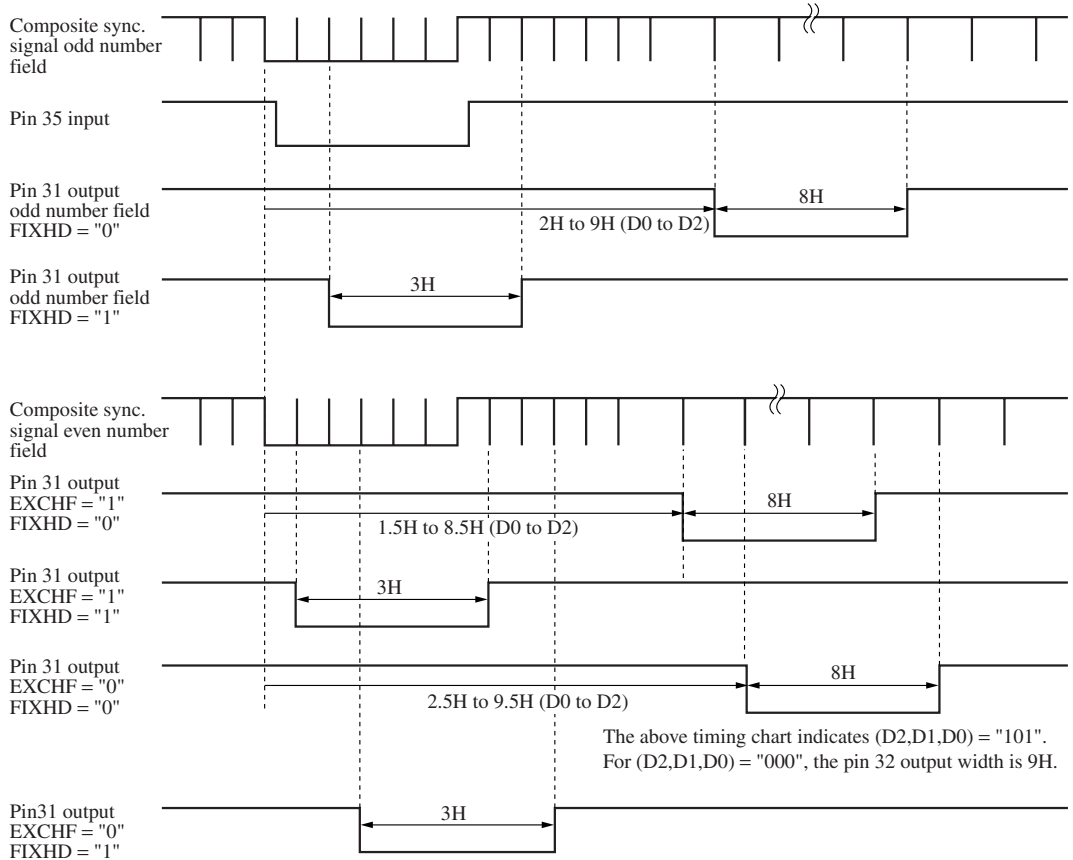
■ Technical Data (continued)

1. Serial interface description (continued)

2) Mode setting channel bits table (continued)

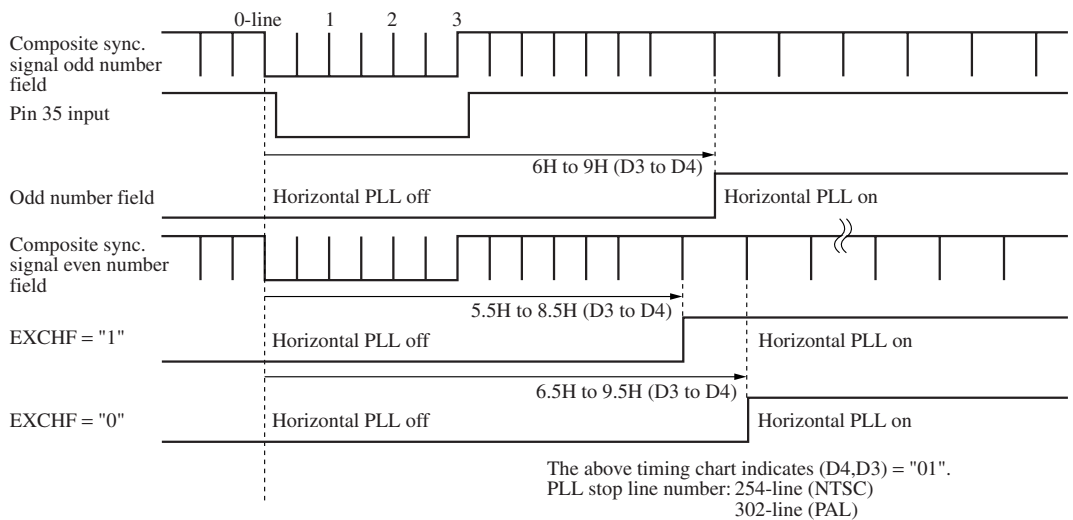
(5) ch.18: PLL stop position and vertical sync. position adjustment (continued)

<Vertical synchronous output timing adjustment range>



The pin 31 timing is synchronous with the pin 35 input timing. The above timing chart is just for reference

<Horizontal PLL start position adjustment range>



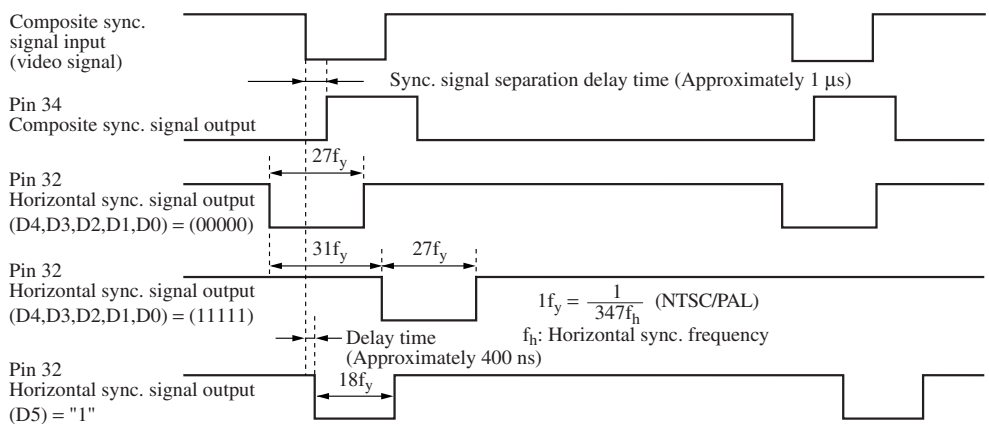
## ■ Technical Data (continued)

### 1. Serial interface description (continued)

#### 2) Mode setting channel bits table (continued)

##### (6) ch.19: Horizontal sync. output position adjustment

Sub-address	D7 HOSEI	D6 PWMT4	D5 KOTEI	D4	D3	D2	D1	D0
13			0	Sync. output variable mode				
			1	Sync. output fixation mode				
		—	PWM frequency adjustment					
	0	VCO automatic adjustment off						
	1	VCO automatic adjustment on						



The delay time of pin 34 output to video signal is likely to vary according to an external constant connected to pin 46. For an external constant, the characteristics in weak electric field must be evaluated adequately.

Though the horizontal sync. signal output adjustment range is designed by referring to the center of pin 34 output pulse, there would be some error according to VCO free-run frequency.

##### (7) ch.20: PWM frequency and burst cleaning pulse width adjustment

Sub-address	D7	D6	D5	D4	D3	D2	D1	D0
	PWM frequency adjustment				BLAK	Burst cleaning pulse adjustment		
14					0	Black level variable mode		
					1	Black level fixation mode		

## ■ Technical Data (continued)

### 1. Serial interface description (continued)

#### 2) Mode setting channel bits table (continued)

##### (8) ch.22: Mode setup 2

Sub-address	D7	D6	D5	D4	D3	D2	D1	D0
16	EXTTEST	DHTS	EXCHF1	POLSW	DMOSD	DSC	DCPS	DQPAL

Mode	Function	
EXTTEST	0	Normal mode
	1	Test mode
DHTS	0	1H reverse stop
	1	1H reverse
EXCHF1	0	Odd number field: Advance phase
	1	Even number field: Advance phase
POLSW	0	Internal POL 1H reverse mode
	1	External POL 1H reverse mode
DMOSD	0	Analog OSD signal input
	1	Digital OSD signal input
DSC	0	Subcarrier output stop
	1	Subcarrier output
DCPS	0	Component input mode
	1	Composite input mode
DQPAL	0	STD PAL mode
	1	Quasi PAL mode

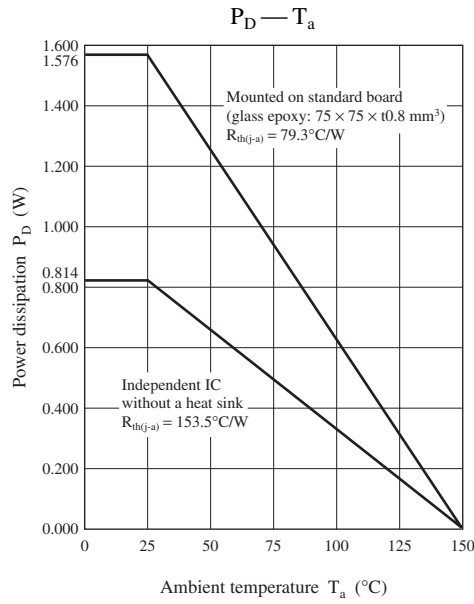
### 2. Recommended Operating Conditions

Parameter	Symbol	Condition	Min	Typ	Max	Unit
Composite video input signal	$Y_{IN}$	Sync. chip - White	0.9	1.0	1.1	V[p-p]
Y-input signal voltage	$Y_{IN}$	Pedestal - White	0.6	0.7	0.8	V[p-p]
C-input signal voltage	$C_{IN}$	Burst signal amplitude	200	300	400	mV[p-p]
MOS input signal low-level voltage	$V_{MOSL}$		0	—	0.9	V
MOS input signal high-level voltage	$V_{MOSH}$		2.1	—	*1	V
Sync. signal input	$H_{SYNC}$	Pedestal - Sync. chip	0.2	0.3	0.4	V[p-p]
Analog RGB signal input	$RGB_{IN}$	Pedestal - White	0.6	0.7	0.8	V[p-p]

Note) \*1: Set it lower than  $V_{CC1}$  (Pin 6 voltage).

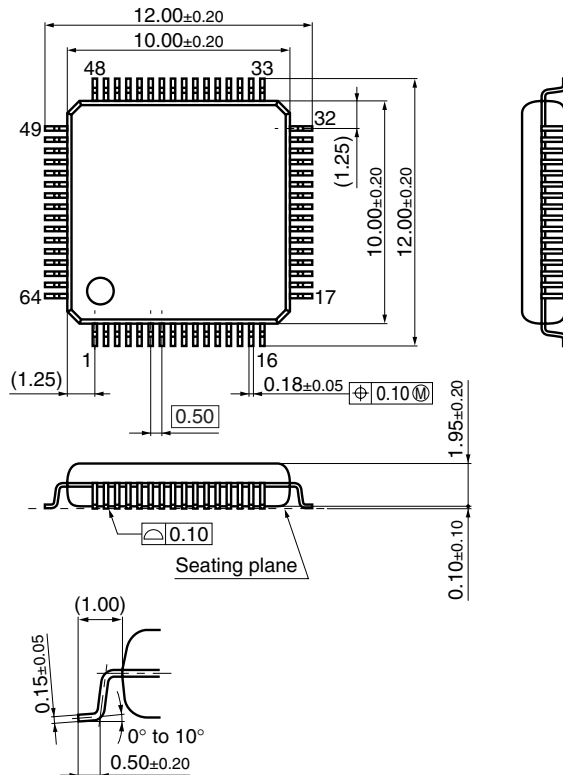
■ Technical Data (continued)

3. Power dissipation of package QFP064-P-1010



■ New Package Dimensions (Unit: mm)

- QFP064-P-1010A (Lead-free package)



## Request for your special attention and precautions in using the technical information and semiconductors described in this material

- (1) An export permit needs to be obtained from the competent authorities of the Japanese Government if any of the products or technologies described in this material and controlled under the "Foreign Exchange and Foreign Trade Law" is to be exported or taken out of Japan.
- (2) The technical information described in this material is limited to showing representative characteristics and applied circuits examples of the products. It neither warrants non-infringement of intellectual property right or any other rights owned by our company or a third party, nor grants any license.
- (3) We are not liable for the infringement of rights owned by a third party arising out of the use of the product or technologies as described in this material.
- (4) The products described in this material are intended to be used for standard applications or general electronic equipment (such as office equipment, communications equipment, measuring instruments and household appliances).  
Consult our sales staff in advance for information on the following applications:
  - Special applications (such as for airplanes, aerospace, automobiles, traffic control equipment, combustion equipment, life support systems and safety devices) in which exceptional quality and reliability are required, or if the failure or malfunction of the products may directly jeopardize life or harm the human body.
  - Any applications other than the standard applications intended.
- (5) The products and product specifications described in this material are subject to change without notice for modification and/or improvement. At the final stage of your design, purchasing, or use of the products, therefore, ask for the most up-to-date Product Standards in advance to make sure that the latest specifications satisfy your requirements.
- (6) When designing your equipment, comply with the guaranteed values, in particular those of maximum rating, the range of operating power supply voltage, and heat radiation characteristics. Otherwise, we will not be liable for any defect which may arise later in your equipment.  
Even when the products are used within the guaranteed values, take into the consideration of incidence of break down and failure mode, possible to occur to semiconductor products. Measures on the systems such as redundant design, arresting the spread of fire or preventing glitch are recommended in order to prevent physical injury, fire, social damages, for example, by using the products.
- (7) When using products for which damp-proof packing is required, observe the conditions (including shelf life and amount of time let standing of unsealed items) agreed upon when specification sheets are individually exchanged.
- (8) This material may be not reprinted or reproduced whether wholly or partially, without the prior written permission of Matsushita Electric Industrial Co., Ltd.