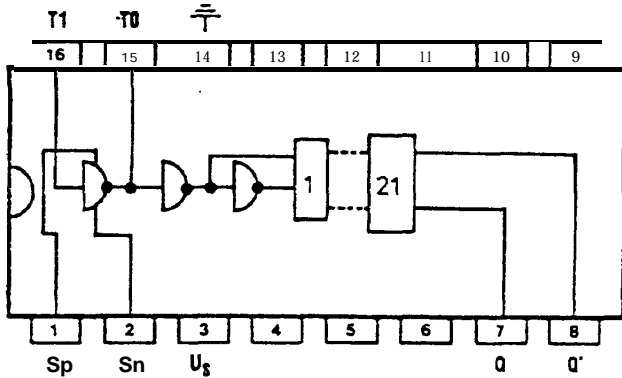
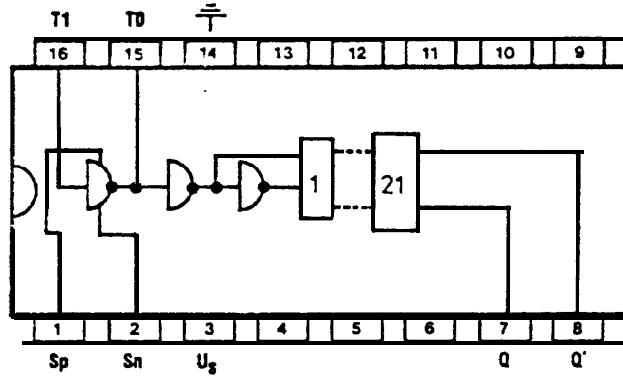


21-stufiger Zähler
 21-Stage Counter
 Compteur à 21 étages
 Contatore a 21 stadi
 Contador de 21 pasos



CMOS 4045			GRENZDATEN				KENNDATEN									
TYP Type Type Tipo Tipo	Hersteller Manufact. Fabricants Produttori Fabricantes	B Sec 3	TU min max °C °C	U _{dd} min max V V	P _{to} ma: mV	U _{dd} V	U _{IL} §U _{NL} V min	U _{IH} §U _N V max	I _{dd} typ µA	t _{TR} ns _{typ} (§ns _{max})			t _{PD} ns _{typ} (§ns _{max})			
										Pin	↓	↑	Pin	↓	↑	
4045BDC	FCH	6b	-25 85	-0.5 +18	400	5 10 15	1.5 3 4	3.5 7 11								
4045BDM	FCH	6b	-55 155	-0.5 +18	400	5 10 15	1.5 3 4	3.5 7 11								
4045BFC	FCH	16b	-25 85	-0.5 +18	400	5 10 15	1.5 3 4	3.5 7 11								
4045BFM	FCH	16b	-55 155	-0.5 +18	400	5 10 15	1.5 3 4	3.5 7 11								
4045BPC	FCH	6a	-25 85	-0.5 +18	40c	5 10 15	1.5 3 4	3.5 7 11								
CD 4045 AD	RCA	6c	-55 155	-0.5 +15	20c	5 10	§1.5 §3	§1.5 §3	0.5 1	Q 450 Q 375	450 375	T=Q 2200 T=Q 1200	2200 1200			
CD 4045 AE	RCA	6a	-25 85	-0.5 +15	20c	5 10	§1.5 §3	§1.5 §3	1 2	Q 450 Q 375	450 375	T=Q 2200 T=Q 1200	2200 1200			
CD 4045 AF	RCA	6b	-55 155	-0.5 +15	200	5 10	§1.5 §3	§1.5 §3	0.5 1	Q 450 Q 375	450 375	T=Q 2200 T=Q 1200	2200 1200			
CD 4045 AH	RCA	ch	-55 155	-0.5 +15		5 10	§1.5 §3	§1.5 §3	0.5 1	Q 450 Q 375	450 375	T=Q 2200 T=Q 1200	2200 1200			
CD 4045 AK	RCA	16b	-55 155	-0.5 +15		5 10	§1.5 §3	§1.5 §3	0.5 1	Q 450 Q 375	450 375	T=Q 2200 T=Q 1200	2200 1200			
CD 4045 BD	RCA	6c	-55 155	-0.5 +20	200	5 10 15	1.5 3 4	3.5 7 11	40n 40n 40n	Q 25 Q 13 Q 10	25 13 10	T=Q 2200 T=Q 900 T=Q 650	2200 900 650			
CD 4045 BE	RCA	6a	-25 85	-0.5 +20	200	5 10 15	1.5 3 4	3.5 7 11	40n 40n 40n	Q 25 Q 13 Q 10	25 13 10	T=Q 2200 T=Q 900 T=Q 650	2200 900 650			
CD 4045 BF	RCA	6b	-55 155	-0.5 +20	200	5 10 15	1.5 3 4	3.5 7 11	40n 40n 40n	Q 25 Q 13 Q 10	25 13 10	T=Q 2200 T=Q 900 T=Q 650	2200 900 650			
CD 4045 BH	RCA	ch	-55 155	-0.5 +20		5 10 15	1.5 3 4	3.5 7 11	40n 40n 40n	Q 25 Q 13 Q 10	25 13 10	T=Q 2200 T=Q 900 T=Q 650	2200 900 650			

21 -stufiger Zähler
 21-Stage Counter
 Compteur à 21 étages
 Contatore a 21 stadi
 Contador de 21 pasos



CMOS 4045

GRENZDATEN

KENNDATEN

Typ Type Tipo	Hersteller Manufact. Fabricants Produttore Fabricantes	B Sec. 3	T _U		U _{dd}		P _{tot} max	U _{dd}	U _{IL} S _{UNL}	U _{IH} S _{UNH}	I _{dd} typ	t _{TR}			t _{PD}		
			min	max	min	max						ns _{typ} (S _{ns} max)		ns _{typ} (S _{ns} max)			
			°C	°C	V	V	mW	V	V	V	μA	Pin	↓	↑	Pin	↓	↑
CD 4045 BK	ISCA	16b	-55	155	-0.5	+20		5 10 15	1.5 3 4	3.5 7 11	40n 40n 40n	Q Q Q	25 13 10	25 13 10	T→Q T→Q T→Q	2200 900 650	2200 900 650
HCC 4045 BD	SGS	6c	-55	155	-0.5	+20	200	5 10 15	1.5 3 4	3.5 7 11	40n 40n 40n	Q Q Q	25 13 10	25 13 10	T→Q T→Q T→Q	2200 900 650	2200 900 650
HCC 4045 BF	SGS	6b	-55	155	-0.5	+20	200	5 10 15	1.5 3 4	3.5 7 11	40n 40n 40n	Q Q Q	25 13 10	25 13 10	T→Q T→Q T→Q	2200 900 650	2200 900 650
HCC 4045 BK	SGS	16b	-55	155	-0.5	+20	200	5 10 15	1.5 3 4	3.5 7 11	40n 40n 40n	Q Q Q	25 13 10	25 13 10	T→Q T→Q T→Q	2200 900 650	2200 900 650
HCF 4045 BE	SGS	6a	-25	85	-0.5	+20	200	5 10 15	1.5 3 4	3.5 7 11	40n 40n 40n	Q Q Q	25 13 10	25 13 10	T→Q T→Q T→Q	2200 900 650	2200 900 650
HCF 4045 BF	SGS	6b	-25	85	-0.5	+20	200	5 10 15	1.5 3 4	3.5 7 17	40n 40n 40n	Q Q Q	25 13 10	25 13 10	T→Q T→Q T→Q	2200 900 650	2200 900 650

4045

21-bit asynchronous binary counter with oscillator and reset input.

Only two 3% duty cycle Outputs (180° out of phase) from the last counter stage

are available. Can be used to generate a 1Hz clock signal using a 2.097152MHz

crystal. P and N MOSFET source connections from the oscillator inverter are

brought out of the package to allow the use of source resistors, but usually

pS=VCC and nS=GND.

pS	1	+--+	16	X1
nS	2		15	xO
vcc	3		14	GND
	4		13	
	5	4045	12	
	6		11	
QA	7		10	
QB	8		9	

[This information is part of the GIICM]